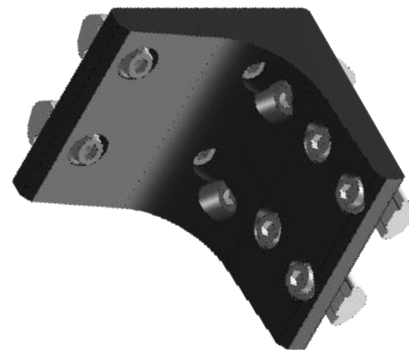
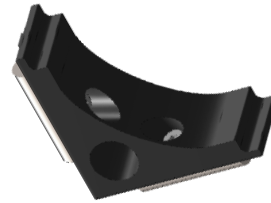
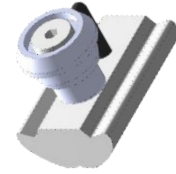


**ANGLE**

**LOCK**™

**CONTROLLED  
DYNAMICS**

the strength of  
a simple *IDEA*®



2025

Product Catalog [anglelock.com](http://anglelock.com)

For the most up-to-date information and offerings from AngleLock please refer to our website:



[anglelock.com](http://anglelock.com)

Or contact us at:



(262) 421 – 8840



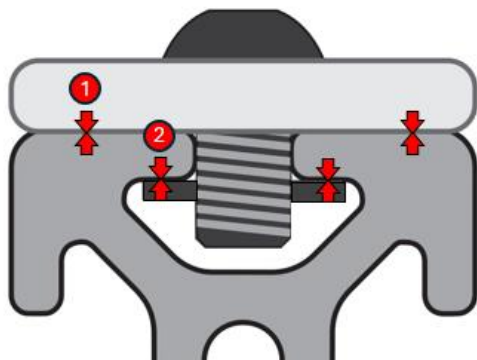
[sales@anglelock.com](mailto:sales@anglelock.com)



1058 Overland Court,  
Grafton, WI 53024

# MODULAR ALUMINUM STRUCTURES

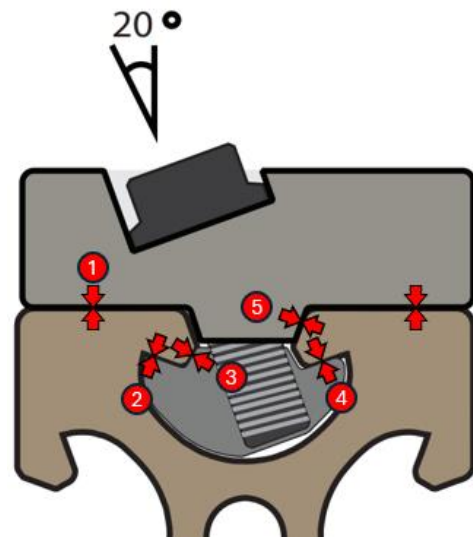
Common T-slot structures use **slip-critical** bolted connections that rely on friction in a single plane. AngleLock creates a precision **fixed** connection in multiple planes that self-aligns and won't loosen with vibration.



**T-slot Technology**

- Relies on friction (**unpredictable**)
- Tightening pushes lobes apart (**deforms structure**)
- Connections loosen with vibration (**frequent maintenance**)

VS



- Fixed connection (**predictable**)
- Tightening draws lobes together (**aligns structure**)
- Does not loosen with vibration (**ZERO maintenance**)

## Our Mission

At AngleLock, our mission is to provide a more premium alternative to traditional T-slot structural aluminum systems – further expanding the potential of aluminum as the preferred material for structural applications. We realize our mission by manufacturing precision engineered structural aluminum products that are the epitome of quality, strength, and value.

## An Engineered Solution

Our patented AngleLock fastening system creates mechanically fixed joints, allowing for the full capabilities of the profile to be used. Higher grade (12.9) fasteners allow the bolts to stretch slightly when tightened to specification, making a spring effect which dramatically improves resistance to failure. It also enables assemblies to stay in perfect alignment in both static and dynamic situations.

## Distinct Industrial Finish

Superior, Type II Architectural Class I (18-micron thickness) anodizing on profiles provides the highest level of protection available to resist outdoor and industrial hazards such as scratches, corrosion, and UV fading. Standard components have a Class II (10 micron) black anodized finish.

## Maximized Potential

Our profiles and components are specifically engineered for maximum strength and performance. Lightweight and highly configurable, the AngleLock system assembles, disassembles, and moves with ease, allowing for effortless customization.

## Lower Cost of Ownership

Best of all, your overall costs and frustrations from purchasing to end of life are lower when you consider:

- 1) Components are ordered as complete kits that include everything you need.
- 2) Preassembled, self-aligning components mean faster assembly.
- 3) The patented fastening system ensures assemblies stay together with no ongoing maintenance issues.

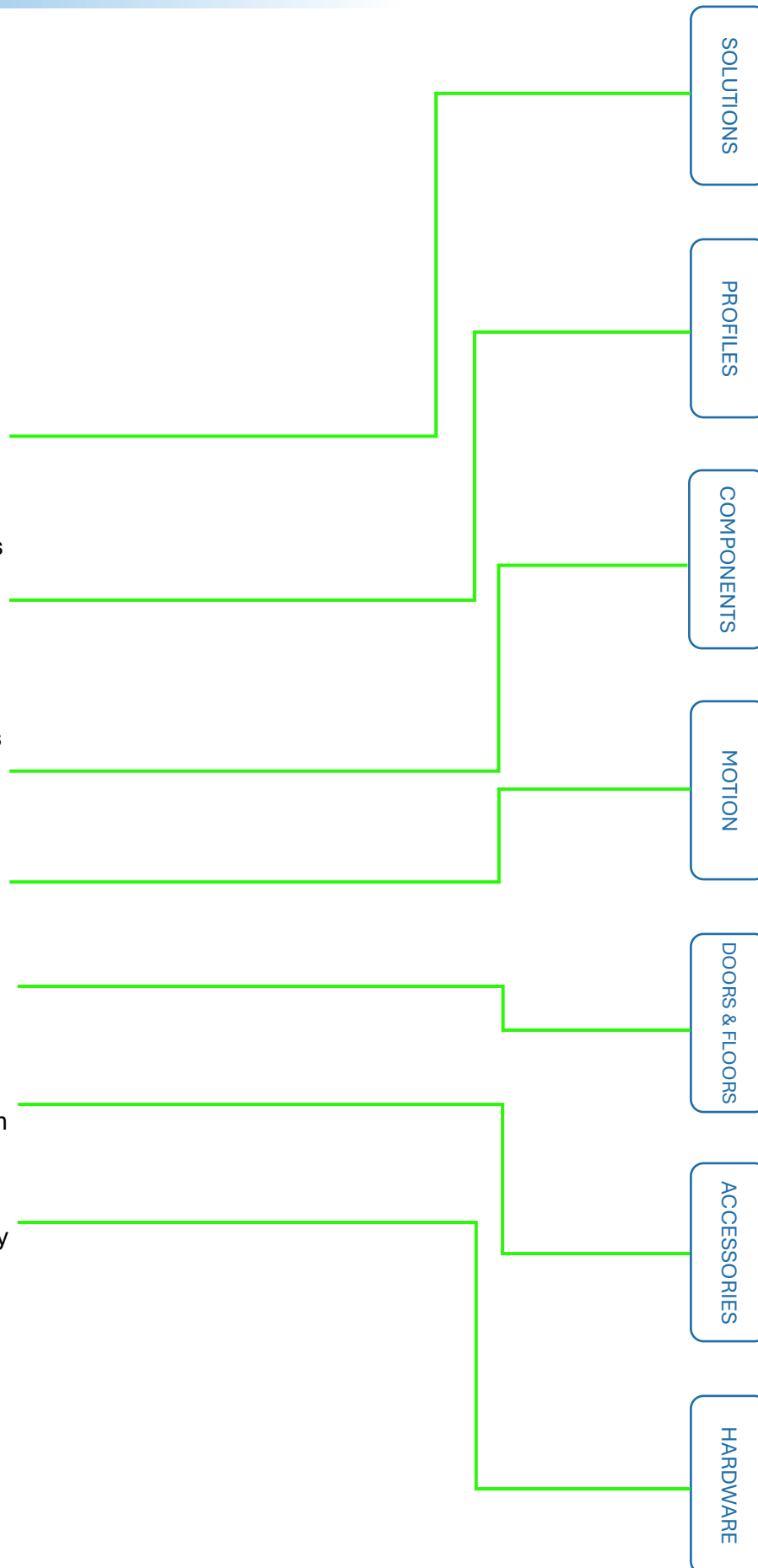
## Faster Assembly

Innovative components and fastening methods mean no machining or special tools are required to assemble your designs. Unique, precision alignment shoulders built into all components eliminate profile skewing and enable rapid assembly without having to align and re-align completed assemblies. Our framing system technology is faster, easier, and more dynamic than the rest!

# Catalog Navigation

Products in this catalog are organized into Profiles, Components, Rivet System, Doors and Floors, Accessories, and Hardware. Easily find the desired section utilizing the tabs located to the right.

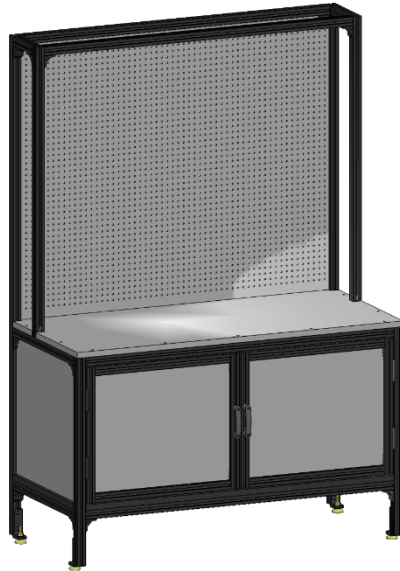
- **SOLUTIONS:** finished products designed by AngleLock for strength and reliability such as carts and workstations. Can be shipped assembled or as precut parts for you to assemble.
- **PROFILES:** the aluminum extrusion shapes available with our AngleLock fastening system. They are available in lengths ranging from 25.4mm (1in) to 3683mm (145in)
- **COMPONENTS:** the brackets and adapters needed to connect profiles together and meet other project needs.
- **MOTION:** pivot brackets and roller carriages that allow for components to freely move.
- **DOORS AND FLOORS:** related items include hinges, leveling feet, casters, and handles.
- **ACCESSORIES:** additional items you may need to complete your structural aluminum project.
- **HARDWARE:** bulk fasteners, drop-in fasteners, and straight nuts to attach nearly anything to our profiles.



# Modular Industrial Workstations

AngleLock has customizable tables, desks, and benches with outstanding service life in applications that demand durability and adaptability. AngleLock modular industrial workstations are long-lasting, professional looking, and rigid.

Example configuration



AngleLock offers some standard sizes that are ready to go now, or we can make the size and design customizable depending on your application.

Standard Offerings		Custom Design
Size	Small: 48"x24" Medium: 60"x28" Large: 72"x32"	Contact sales to discuss how AngleLock can provide custom workstation designs based on your needs. Our standard designs can easily be adjusted to fit your needs or we can help in the design of a unique workstation.
Shelving Options	Standard with lower shelf	
Tops	Various options. See Doors & Floors section.	

Contact sales for more information on modular industrial workstations.

# Carts

AngleLock has customizable carts that are durable and reliable for handling and storing materials and equipment. These carts are highly engineered solutions that are simple to use and reuse.



**Example configuration**

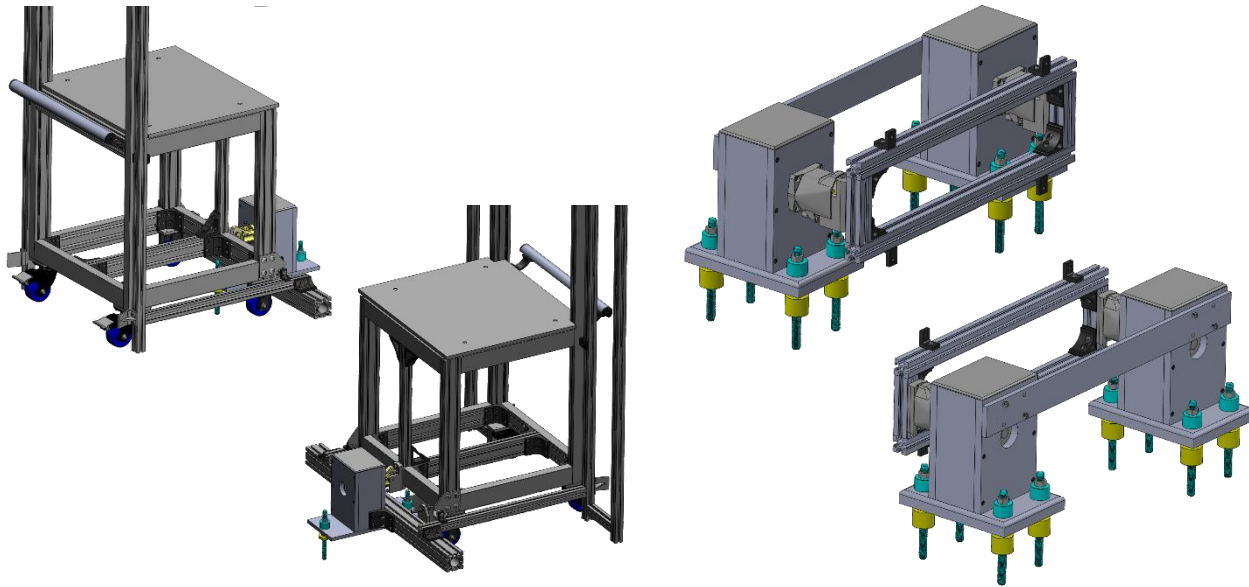
AngleLock offers some standard sizes that are ready to go now, or we can make the size and design customizable depending on your application.

Standard Offerings		Custom Design
Doors/Drawers	Door and drawer Double door	Contact sales to discuss how AngleLock can provide custom cart designs based on your needs. Our standard designs can easily be adjusted to fit your needs or we can help in the design of a unique cart.
Tops	Various options. See Doors & Floors section.	

Contact sales for more information on modular industrial workstations.

## Docking System (coming soon)

AngleLock will be releasing a docking system that allows for repeatable docking and removal of a cart. This system is designed to be used with AngleLock carts but is able to be retrofitted to an existing carts using the rectangular extrusion adapter frame shown on the right.



This system has two options:

1. Single clamp (left)
2. Double clamp (right)

This docking system, when used with an AngleLock cart, has a position repeatability on the order of a few thousandths of an inch, and it will stay locked into that position!

**This product is coming soon. Please contact sales for more information and updates on this product.**





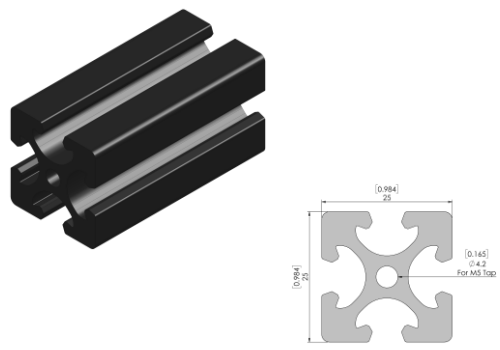
## Profiles

AngleLock profiles are specifically engineered for maximum strength, performance, and precision. These unique tight-tolerance profiles work in conjunction with our patented AngleLock fastening system to provide a fixed joint. Profiles are available in full lengths or cut to your specifications, and are offered in three color finishes: our signature Light Bronze Anodized, Black Anodized, or Clear Anodized. All finishes are a Type II Architectural Class I Anodize.

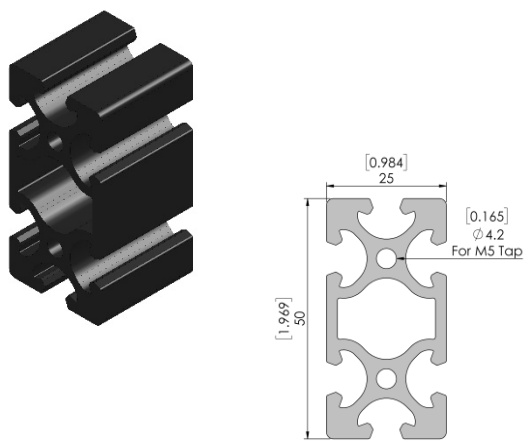
	Description	Part Number	Page
25 Series	<b>NEW - 25X25 4-SLOT HD PROFILE</b>	25P05-114X-000	11
	<b>NEW - 25X50 6-SLOT HD PROFILE</b>	25P05-124X-000	11
40 Series	20X40 1 SLOT SINGLE FLANGE STANDARD DUTY	40P04-101X-010	11
	20X40 1 SLOT DOUBLE FLANGE STANDARD DUTY	40P04-101X-000	12
	20X120 3-SLOT LIGHT DUTY WITH PANEL GROOVE	40P03-303X-000	12
	40X40 4-SLOT STANDARD DUTY	40P04-114X-000	12
	40X40 4-SLOT HEAVY DUTY	40P05-114X-000	13
	40X40 3-SLOT STANDARD DUTY	40P04-113X-010	13
	40X40 3-SLOT SINGLE FLANGE STANDARD DUTY	40P04-113X-020	13
	40X40 2-SLOT 90° STANDARD DUTY	40P04-112X-000	14
	40X40 2-SLOT 180° STANDARD DUTY	40P04-115X-000	14
	40MM HAND RAIL LIGHT DUTY	40P03-001X-000	14
	40X80 6-SLOT HEAVY DUTY	40P05-124X-000	15
	40X80 3-SLOT 90° STANDARD DUTY	40P04-122X-000	15
	40X120 8-SLOT STANDARD DUTY	40P04-134X-000	15
	40X120 4-SLOT 90° STANDARD DUTY	40P04-132X-000	16
	50X80 4-SLOT SINGLE FLANGE LIGHT DUTY	40P03-123X-010	16
	55X55 3-SLOT 45° OUTSIDE CORNER STANDARD DUTY	40P04-113X-000	16
	70X70 3-SLOT 3-WAY CORNER STANDARD DUTY	40P04-773X-000	17
	70X70 1-SLOT 3-WAY CORNER STANDARD DUTY	40P04-771X-000	17
	70X70 3-SLOT 3-WAY INSET PANEL STANDARD DUTY	40P04-773X-010	17
	80X80 8-SLOT HEAVY DUTY	40P05-224X-000	18
	80X120 10-SLOT LIGHT DUTY	40P03-234X-000	18
	80X120 10-SLOT STANDARD DUTY	40P04-234X-000	18
	90X90 4-SLOT INSIDE CORNER STANDARD DUTY	40P04-992X-000	19
	<b>NEW - 80MM THRESHOLD</b>	40P04-201X-000	19

Please note that some finishes/colors may require longer lead times than others.

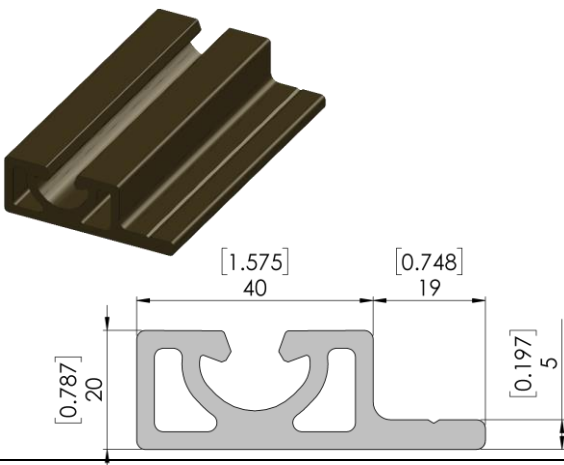
**NEW - 25X25 4-SLOT HD PROFILE** **25P05-114X-000**

Material	6005-T5		
Finish/Color: Type II, Architectural Class I Anodize	<b>Black</b>	25P05-1141-000	
	<b>Metric</b>	<b>SAE</b>	
Weight Per Length	0.89 kg/m	0.60 lb/ft	
Available Length(s): 25P05-114X-000 / 25P05-114X-00C	3683 mm / 25 - 3683 mm	145" / 1" to 145"	
Cross-Sectional Area	3.286 cm <sup>2</sup>	0.509 in <sup>2</sup>	
Moment of Inertia	$I_x=2.094 \text{ cm}^4$ $I_y=2.094 \text{ cm}^4$	$I_x=0.050 \text{ in}^4$ $I_y=0.050 \text{ in}^4$	

**NEW - 25X50 6-SLOT HD PROFILE** **25P05-124X-000**

Material	6005-T5		
Finish/Color: Type II, Architectural Class I Anodize	<b>Black</b>	25P05-1241-000	
	<b>Metric</b>	<b>SAE</b>	
Weight Per Length	1.49 kg/m	1.00 lb/ft	
Available Length(s): 25P05-124X-000 / 25P05-124X-00C	3683 mm / 25 - 3683 mm	145" / 1" to 145"	
Cross-Sectional Area	5.50 cm <sup>2</sup>	0.853 in <sup>2</sup>	
Moment of Inertia	$I_x=14.396 \text{ cm}^4$ $I_y=3.651 \text{ cm}^4$	$I_x=0.346 \text{ in}^4$ $I_y=0.088 \text{ in}^4$	

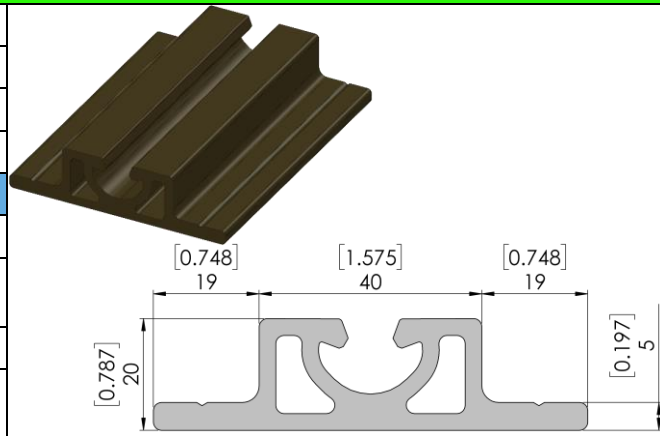
**20X40 1 SLOT SINGLE FLANGE STANDARD DUTY** **40P04-101X-010**

Material	6005-T5		
Finish/Color: Type II, Architectural Class I Anodize	Light Bronze	40P04-1012-010	
	<b>Black</b>	40P04-1011-010	
	Clear	40P04-1014-010	
	<b>Metric</b>	<b>SAE</b>	
Weight Per Length	1.442 kg/m	0.969 lb/ft	
Available Length(s): 40P04-101X-010 / 40P04-101X-01C	3683 mm / 25 - 3683 mm	145" / 1" to 145"	
Cross-Sectional Area	5.339 cm <sup>2</sup>	0.828 in <sup>2</sup>	
Moment of Inertia	$I_x=2.311 \text{ cm}^4$ $I_y=13.864 \text{ cm}^4$	$I_x=0.056 \text{ in}^4$ $I_y=0.333 \text{ in}^4$	

## 20X40 1 SLOT DOUBLE FLANGE STANDARD

40P04-101X-000

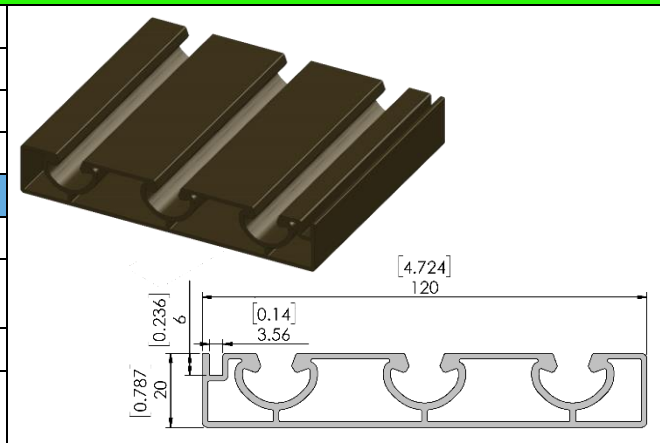
Material	6005-T5	
Finish/Color: Type II, Architectural Class I Anodize	Light Bronze	40P04-1012-000
	Black	40P04-1011-000
	Clear	40P04-1014-000
	<b>Metric</b>	<b>SAE</b>
Weight Per Length	1.700 kg/m	1.143 lb/ft
Available Length(s):	40P04-101X-000 3683 mm 40P04-101X-00C 25 - 3683 mm	145" 1" to 145"
Cross-Sectional Area	6.297 cm <sup>2</sup>	0.976 in <sup>2</sup>
Moment of Inertia	I <sub>x</sub> =2.583 cm <sup>4</sup> I <sub>y</sub> =23.784 cm <sup>4</sup>	I <sub>x</sub> =0.062 in <sup>4</sup> I <sub>y</sub> =0.571 in <sup>4</sup>



## 20X120 3-SLOT LIGHT DUTY WITH PANEL

40P03-303X-000

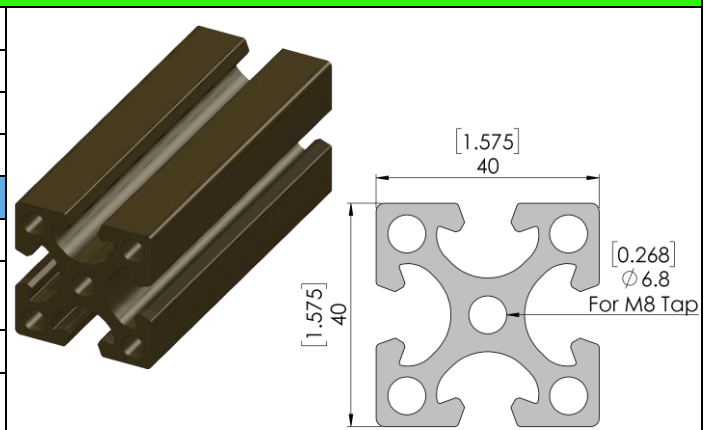
Material	6005-T5	
Finish/Color: Type II, Architectural Class I Anodize	Light Bronze	40P03-3032-000
	Black	40P03-3031-000
	Clear	40P03-3034-000
	<b>Metric</b>	<b>SAE</b>
Weight Per Length	1.816 kg/m	1.220 lb/ft
Available Length(s):	40P04-303X-000 3683 mm 40P04-303X-00C 25 - 3683 mm	145" 1" to 145"
Cross-Sectional Area	6.727 cm <sup>2</sup>	1.043 in <sup>2</sup>
Moment of Inertia	I <sub>x</sub> =3.552 cm <sup>4</sup> I <sub>y</sub> =92.294 cm <sup>4</sup>	I <sub>x</sub> =0.085 in <sup>4</sup> I <sub>y</sub> =2.217 in <sup>4</sup>



## 40X40 4-SLOT STANDARD DUTY

40P04-114X-000

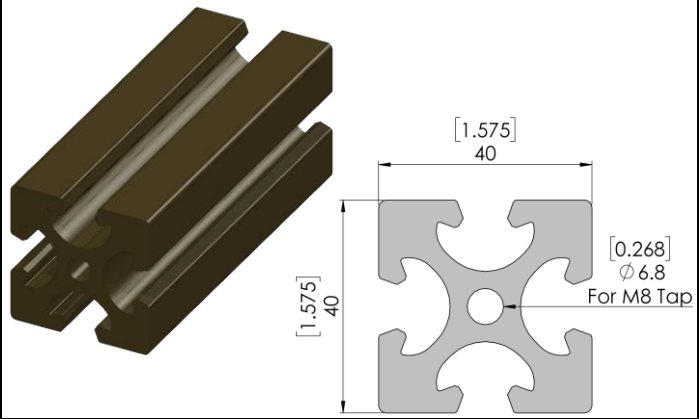
Material	6005-T5	
Finish/Color: Type II, Architectural Class I Anodize	Light Bronze	40P04-1142-000
	Black	40P04-1141-000
	Clear	40P04-1144-000
	<b>Metric</b>	<b>SAE</b>
Weight Per Length	1.962 kg/m	1.318 lb/ft
Available Length(s):	40P04-114X-000 3683 mm 40P04-114X-00C 25 - 3683 mm	145" 1" to 145"
Cross-Sectional Area	7.266 cm <sup>2</sup>	1.126 in <sup>2</sup>
Moment of Inertia	I <sub>x</sub> =11.112 cm <sup>4</sup> I <sub>y</sub> =11.112 cm <sup>4</sup>	I <sub>x</sub> =0.267 in <sup>4</sup> I <sub>y</sub> =0.267 in <sup>4</sup>



**40X40 4-SLOT HEAVY DUTY**

**40P05-114X-000**

Material	6005-T5	
Finish/Color: Type II, Architectural Class I Anodize	Light Bronze	40P05-1142-000
	Black	40P05-1141-000
	Clear	40P05-1144-000
	<b>Metric</b>	<b>SAE</b>
Weight Per Length	2.350 kg/m	1.579 lb/ft
Available Length(s):	40P05-114X-000 40P05-114X-00C	3683 mm 25 - 3683 mm
	145"	1" to 145"
Cross-Sectional Area	8.705 cm <sup>2</sup>	1.349 in <sup>2</sup>
Moment of Inertia	I <sub>x</sub> =14.173 cm <sup>4</sup> I <sub>y</sub> =14.173 cm <sup>4</sup>	I <sub>x</sub> =0.341 in <sup>4</sup> I <sub>y</sub> =0.341 in <sup>4</sup>



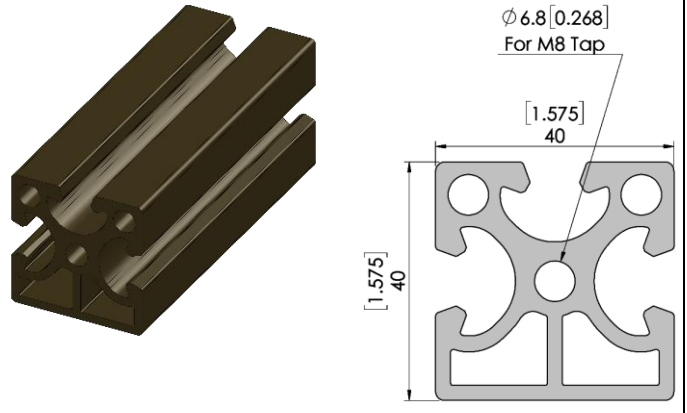
SOLUTIONS

PROFILES

**40X40 3-SLOT STANDARD DUTY**

**40P04-113X-010**

Material	6005-T5	
Finish/Color: Type II, Architectural Class I Anodize	Light Bronze	40P04-1132-010
	Black	40P04-1131-010
	Clear	40P04-1134-010
	<b>Metric</b>	<b>SAE</b>
Weight Per Length	1.885 kg/m	1.267 lb/ft
Available Length(s):	40P04-113X-010 40P04-113X-01C	3683 mm 25 - 3683 mm
	145"	1" to 145"
Cross-Sectional Area	6.983 cm <sup>2</sup>	1.082 in <sup>2</sup>
Moment of Inertia	I <sub>x</sub> =11.060 cm <sup>4</sup> I <sub>y</sub> =10.665 cm <sup>4</sup>	I <sub>x</sub> =0.266 in <sup>4</sup> I <sub>y</sub> =0.256 in <sup>4</sup>



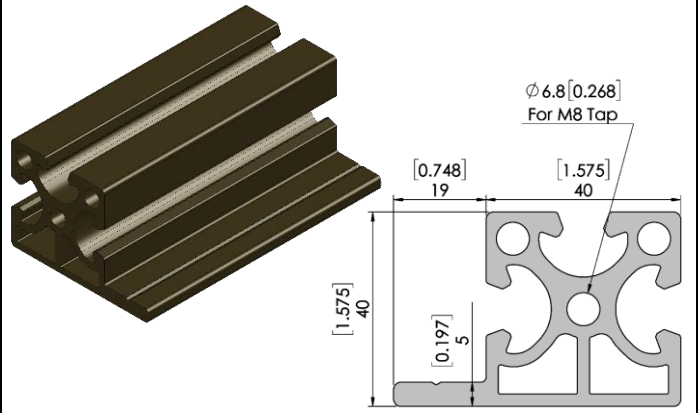
COMPONENTS

MOTION

**40X40 3-SLOT SINGLE FLANGE STANDARD**

**40P04-113X-020**

Material	6005-T5	
Finish/Color: Type II, Architectural Class I Anodize	Light Bronze	40P04-1132-020
	Black	40P04-1131-020
	Clear	40P04-1134-020
	<b>Metric</b>	<b>SAE</b>
Weight Per Length	2.140 kg/m	1.438 lb/ft
Available Length(s):	40P04-113X-020 40P04-113X-02C	3683 mm 25 - 3683 mm
	145"	1" to 145"
Cross-Sectional Area	7.928 cm <sup>2</sup>	1.229 in <sup>2</sup>
Moment of Inertia	I <sub>x</sub> =13.709 cm <sup>4</sup> I <sub>y</sub> =18.095 cm <sup>4</sup>	I <sub>x</sub> =0.329 in <sup>4</sup> I <sub>y</sub> =0.435 in <sup>4</sup>



DOORS & FLOORS

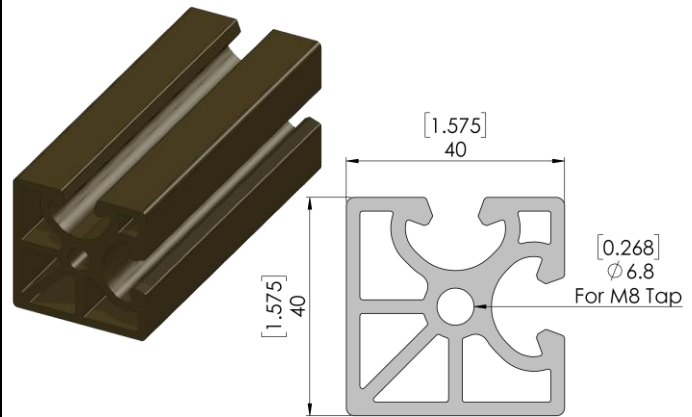
ACCESSORIES

HARDWARE

## 40X40 2-SLOT 90° STANDARD DUTY

40P04-112X-000

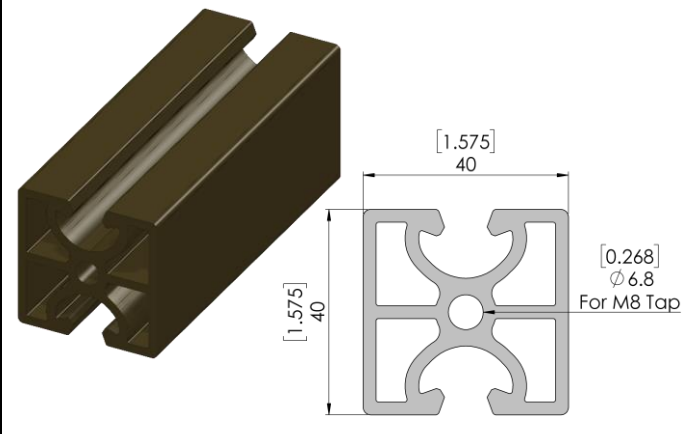
Material	6005-T5	
Finish/Color: Type II, Architectural Class I Anodize	Light Bronze	40P04-1122-000
	Black	40P04-1121-000
	Clear	40P04-1124-000
	Metric	SAE
Weight Per Length	1.907 kg/m	1.282 lb/ft
Available Length(s):	40P04-112X-000 3683 mm 40P04-112X-00C 25 - 3683 mm	145" 1" to 145"
Cross-Sectional Area	7.064 cm <sup>2</sup>	1.095 in <sup>2</sup>
Moment of Inertia	I <sub>x</sub> =11.153 cm <sup>4</sup> I <sub>y</sub> =11.153 cm <sup>4</sup>	I <sub>x</sub> =0.268 in <sup>4</sup> I <sub>y</sub> =0.268 in <sup>4</sup>



## 40X40 2-SLOT 180° STANDARD DUTY

40P04-115X-000

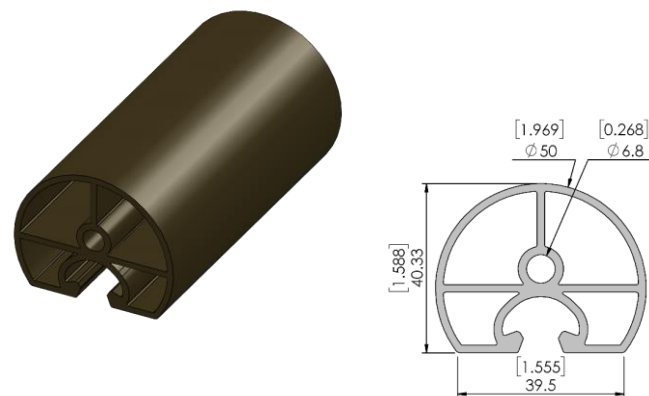
Material	6005-T5	
Finish/Color: Type II, Architectural Class I Anodize	Light Bronze	40P04-1152-000
	Black	40P04-1151-000
	Clear	40P04-1154-000
	Metric	SAE
Weight Per Length	1.809 kg/m	1.216 lb/ft
Available Length(s):	40P04-115X-000 3683 mm 40P04-115X-00C 25 - 3683 mm	145" 1" to 145"
Cross-Sectional Area	6.700 cm <sup>2</sup>	1.038 in <sup>2</sup>
Moment of Inertia	I <sub>x</sub> =10.219 cm <sup>4</sup> I <sub>y</sub> =11.019 cm <sup>4</sup>	I <sub>x</sub> =0.246 in <sup>4</sup> I <sub>y</sub> =0.265 in <sup>4</sup>



## 40MM HAND RAIL LIGHT DUTY

40P03-001X-000

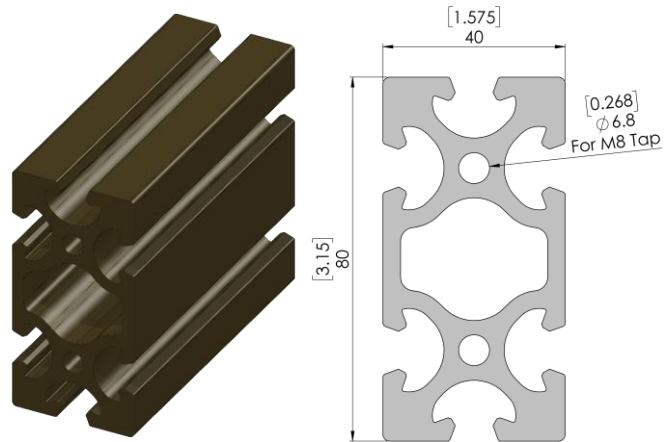
Material	6005-T5	
Finish/Color: Type II, Architectural Class I Anodize	Light Bronze	40P03-0012-000
	Black	40P03-0011-000
	Clear	40P03-0014-000
	Metric	SAE
Weight Per Length	1.313 kg/m	0.882 lb/ft
Available Length(s):	40P03-001X-000 3683 mm 40P03-001X-00C 25 - 3683 mm	145" 1" to 145"
Cross-Sectional Area	4.863 cm <sup>2</sup>	0.754 in <sup>2</sup>
Moment of Inertia	I <sub>x</sub> =6.841 cm <sup>4</sup> I <sub>y</sub> =9.712 cm <sup>4</sup>	I <sub>x</sub> =0.164 in <sup>4</sup> I <sub>y</sub> =0.233 in <sup>4</sup>



**40X80 6-SLOT HEAVY DUTY**

**40P05-124X-000**

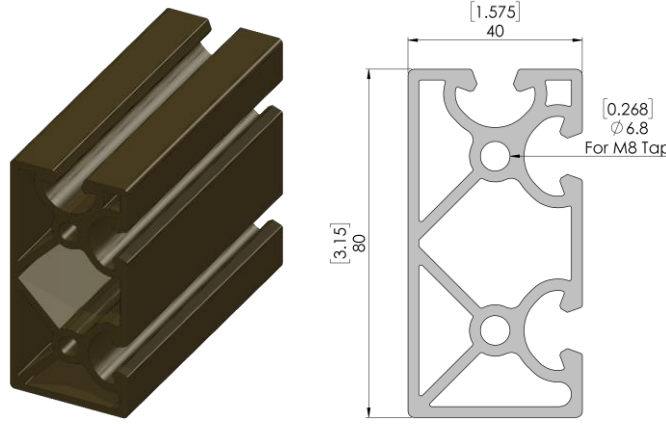
Material	6005-T5	
Finish/Color: Type II, Architectural Class I Anodize	Light Bronze	40P05-1242-000
	Black	40P05-1241-000
	Clear	40P05-1244-000
	<b>Metric</b>	<b>SAE</b>
Weight Per Length	3.950 kg/m	2.6541 lb/ft
Available Length(s):	40P05-124X-000 40P05-124X-00C	3683 mm 25 - 3683 mm
		145" 1" to 241"
Cross-Sectional Area	14.629 cm <sup>2</sup>	2.267 in <sup>2</sup>
Moment of Inertia	$I_x=97.746 \text{ cm}^4$ $I_y=24.970 \text{ cm}^4$	$I_x=2.348 \text{ in}^4$ $I_y=0.600 \text{ in}^4$



**40X80 3-SLOT 90° STANDARD DUTY**

**40P04-122X-000**

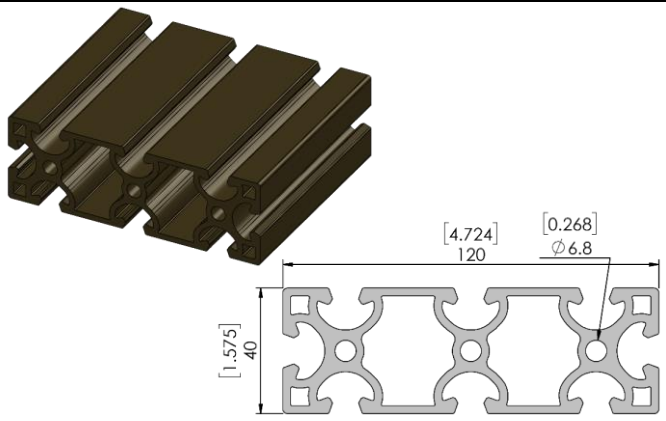
Material	6005-T5	
Finish/Color: Type II, Architectural Class I Anodize	Light Bronze	40P04-1222-000
	Black	40P04-1221-000
	Clear	40P04-1224-000
	<b>Metric</b>	<b>SAE</b>
Weight Per Length	2.977 kg/m	2.000 lb/ft
Available Length(s):	40P04-122X-000 40P04-122X-00C	3683 mm 25 - 3683 mm
		145" 1" to 145"
Cross-Sectional Area	11.025 cm <sup>2</sup>	1.709 in <sup>2</sup>
Moment of Inertia	$I_x=73.301 \text{ cm}^4$ $I_y=19.907 \text{ cm}^4$	$I_x=1.761 \text{ in}^4$ $I_y=0.478 \text{ in}^4$



**40X120 8-SLOT STANDARD DUTY**

**40P04-134X-000**

Material	6005-T5	
Finish/Color: Type II, Architectural Class I Anodize	Light Bronze	40P04-1342-000
	Black	40P04-1341-000
	Clear	40P04-1344-000
	<b>Metric</b>	<b>SAE</b>
Weight Per Length	4.356 kg/m	2.927 lb/ft
Available Length(s):	40P04-134X-000 40P04-134X-00C	3683 mm 25 - 3683 mm
		145" 1" to 145"
Cross-Sectional Area	16.135 cm <sup>2</sup>	2.501 in <sup>2</sup>
Moment of Inertia	$I_x=243.149 \text{ cm}^4$ $I_y=28.296 \text{ cm}^4$	$I_x=5.842 \text{ in}^4$ $I_y=0.680 \text{ in}^4$



SOLUTIONS

PROFILES

COMPONENTS

MOTION

DOORS & FLOORS

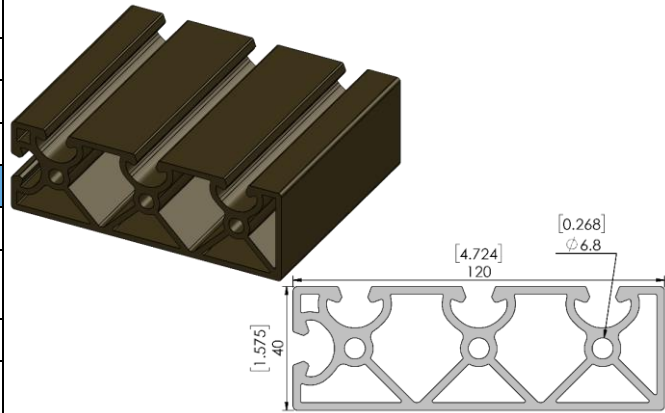
ACCESSORIES

HARDWARE

## 40X120 4-SLOT 90° STANDARD DUTY

40P04-132X-000

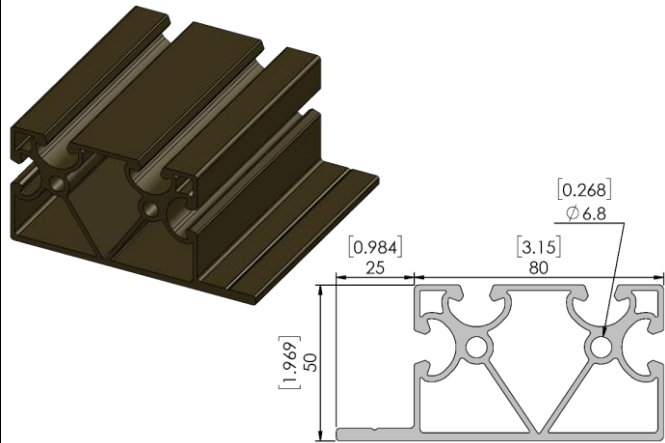
Material	6005-T5	
Finish/Color: Type II, Architectural Class I Anodize	Light Bronze	40P04-1322-000
	Black	40P04-1321-000
	Clear	40P04-1324-000
	<b>Metric</b>	<b>SAE</b>
Weight Per Length	4.184 kg/m	2.812 lb/ft
Available Length(s):	40P04-132X-000 3683 mm 40P04-132X-00C 25 - 3683 mm	145" 1" to 145"
Cross-Sectional Area	15.497 cm <sup>2</sup>	2.402 in <sup>2</sup>
Moment of Inertia	$I_x=222.844 \text{ cm}^4$ $I_y=28.873 \text{ cm}^4$	$I_x=5.354 \text{ in}^4$ $I_y=0.694 \text{ in}^4$



## 50X80 4-SLOT SINGLE FLANGE LIGHT DUTY

40P03-123X-010

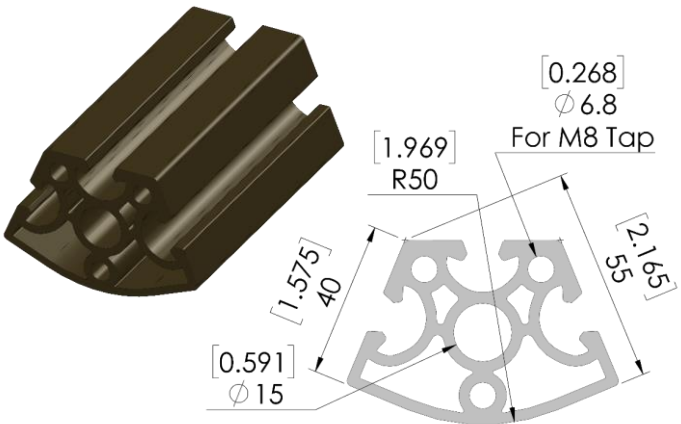
Material	6005-T5	
Finish/Color: Type II, Architectural Class I Anodize	Light Bronze	40P03-1232-010
	Black	40P03-1231-010
	Clear	40P03-1234-010
	<b>Metric</b>	<b>SAE</b>
Weight Per Length	3.042 kg/m	2.044 lb/ft
Available Length(s):	40P03-123X-010 3683 mm 40P03-123X-01C 25 - 3683 mm	145" 1" to 241"
Cross-Sectional Area	11.265 cm <sup>2</sup>	1.746 in <sup>2</sup>
Moment of Inertia	$I_x=34.777 \text{ cm}^4$ $I_y=95.783 \text{ cm}^4$	$I_x=0.836 \text{ in}^4$ $I_y=2.301 \text{ in}^4$



## 55X55 3-SLOT 45° OUTSIDE CORNER

40P04-113X-000

Material	6005-T5	
Finish/Color: Type II, Architectural Class I Anodize	Light Bronze	40P04-1132-000
	Black	40P04-1131-000
	Clear	40P04-1134-000
	<b>Metric</b>	<b>SAE</b>
Weight Per Length	2.815 kg/m	1.892 lb/ft
Available Length(s):	40P04-113X-000 3683 mm 40P04-113X-00C 25 - 3683 mm	145" 1" to 145"
Cross-Sectional Area	10.64 cm <sup>2</sup>	1.65 in <sup>2</sup>
Moment of Inertia	$I_x=21.324 \text{ cm}^4$ $I_y=31.751 \text{ cm}^4$	$I_x=0.512 \text{ in}^4$ $I_y=0.763 \text{ in}^4$

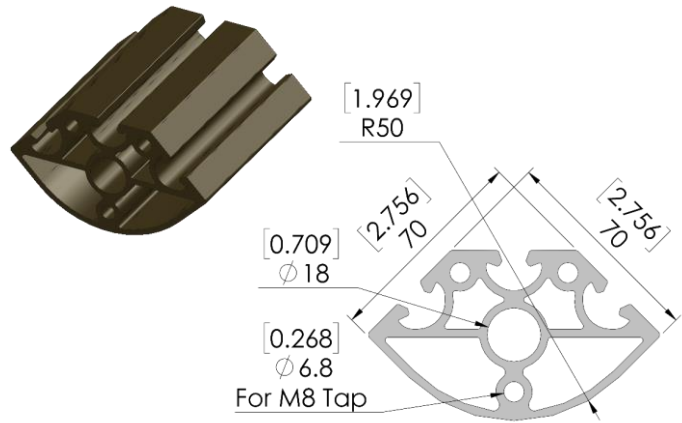




**70X70 3-SLOT 3-WAY CORNER STANDARD**

**40P04-773X-000**

Material	6005-T5	
Finish/Color: Type II, Architectural Class I Anodize	Light Bronze	40P04-7732-000
	Black	40P04-7731-000
	Clear	40P04-7734-000
	Metric	SAE
Weight Per Length	2.815 kg/m	1.892 lb/ft
Available Length(s):	40P04-773X-000 3683 mm	40P04-773X-00C 145" - 3683 mm
Cross-Sectional Area	14.637 cm <sup>2</sup>	2.269 in <sup>2</sup>
Moment of Inertia	I <sub>x</sub> =38.936 cm <sup>4</sup> I <sub>y</sub> =85.281 cm <sup>4</sup>	I <sub>x</sub> =0.935 in <sup>4</sup> I <sub>y</sub> =2.049 in <sup>4</sup>

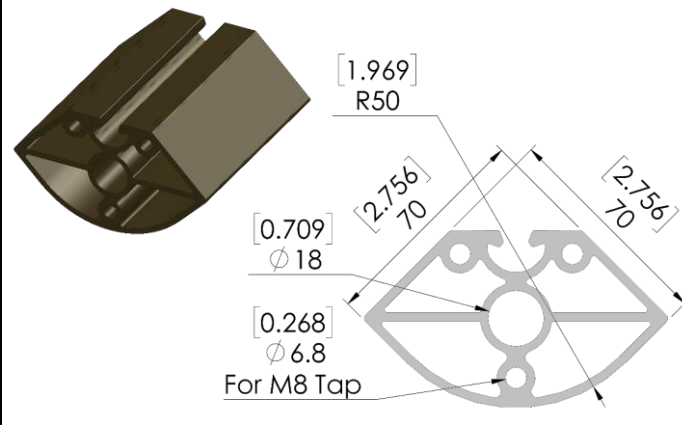


- SOLUTIONS
- PROFILES
- COMPONENTS
- MOTION
- DOORS & FLOORS
- ACCESSORIES
- HARDWARE

**70X70 1-SLOT 3-WAY CORNER STANDARD**

**40P04-771X-000**

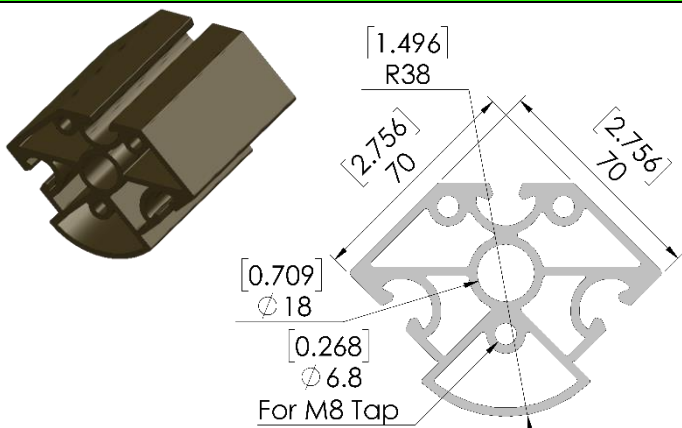
Material	6005-T5	
Finish/Color: Type II, Architectural Class I Anodize	Light Bronze	40P04-7712-000
	Black	40P04-7711-000
	Clear	40P04-7714-000
	Metric	SAE
Weight Per Length	3.620 kg/m	2.430 lb/ft
Available Length(s):	40P04-771X-000 3683 mm	40P04-771X-00C 145" - 3683 mm
Cross-Sectional Area	13.411 cm <sup>2</sup>	2.078 in <sup>2</sup>
Moment of Inertia	I <sub>x</sub> = 38.278 cm <sup>4</sup> I <sub>y</sub> = 77.086 cm <sup>4</sup>	I <sub>x</sub> =0.9196 in <sup>4</sup> I <sub>y</sub> =1.8520 in <sup>4</sup>



**70X70 3-SLOT 3-WAY INSET PANEL**

**40P04-773X-010**

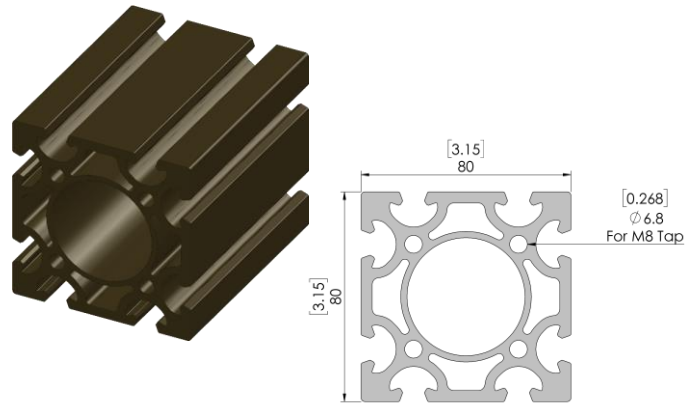
Material	6005-T5	
Finish/Color: Type II, Architectural Class I Anodize	Light Bronze	40P04-7732-010
	Black	40P04-7731-010
	Clear	40P04-7734-010
	Metric	SAE
Weight Per Length	4.669 kg/m	3.138 lb/ft
Available Length(s):	40P04-773X-010 3683 mm	40P04-773X-01C 145" - 3683 mm
Cross-Sectional Area	19.293 cm <sup>2</sup>	2.680 in <sup>2</sup>
Moment of Inertia	I <sub>x</sub> =65.818 cm <sup>4</sup> I <sub>y</sub> =97.220 cm <sup>4</sup>	I <sub>x</sub> =1.581 in <sup>4</sup> I <sub>y</sub> =2.336 in <sup>4</sup>



## 80X80 8-SLOT HEAVY DUTY

40P05-224X-000

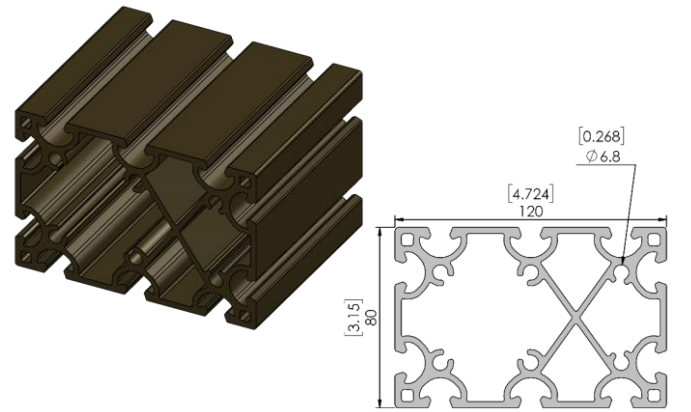
Material	6005-T5	
Finish/Color: Type II, Architectural Class I Anodize	Light Bronze	40P05-2242-000
	Black	40P05-2241-000
	Clear	40P05-2244-000
	<b>Metric</b>	<b>SAE</b>
Weight Per Length	6.383 kg/m	4.289 lb/ft
Available Length(s):	40P05-224X-000 3683 mm 40P05-224X-00C 25 - 3683 mm	145" 1" to 145"
Cross-Sectional Area	23.774 cm <sup>2</sup>	3.685 in <sup>2</sup>
Moment of Inertia	$I_x=169.643 \text{ cm}^4$ $I_y=169.643 \text{ cm}^4$	$I_x=4.076 \text{ in}^4$ $I_y=4.076 \text{ in}^4$



## 80X120 10-SLOT LIGHT DUTY

40P03-234X-000

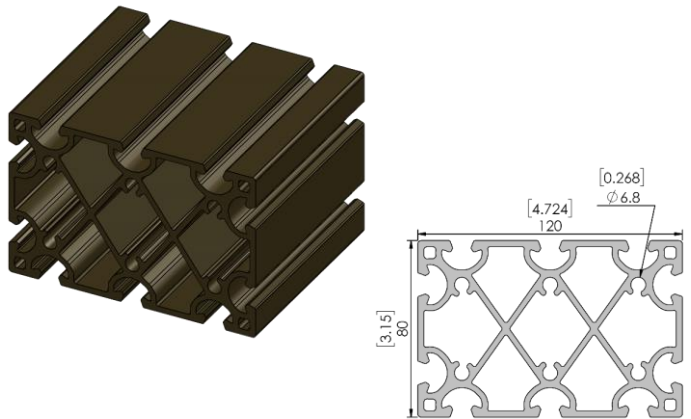
Material	6005-T5	
Finish/Color: Type II, Architectural Class I Anodize	Light Bronze	40P03-2342-000
	Black	40P03-2341-000
	Clear	40P03-2344-000
	<b>Metric</b>	<b>SAE</b>
Weight Per Length	6.500 kg/m	4.368 lb/ft
Available Length(s):	40P03-234X-000 3683 mm 40P03-234X-00C 25 - 3683 mm	145" 1" to 145"
Cross-Sectional Area	24.076 cm <sup>2</sup>	3.732 in <sup>2</sup>
Moment of Inertia	$I_x=186.650 \text{ cm}^4$ $I_y=388.685 \text{ cm}^4$	$I_x=4.484 \text{ in}^4$ $I_y=9.338 \text{ in}^4$



## 80X120 10-SLOT STANDARD DUTY

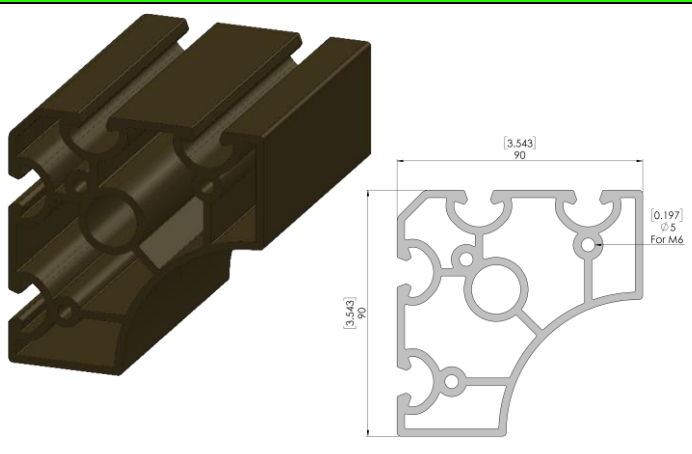
40P04-234X-000

Material	6005-T5	
Finish/Color: Type II, Architectural Class I Anodize	Light Bronze	40P04-2342-000
	Black	40P04-2341-000
	Clear	40P04-2344-000
	<b>Metric</b>	<b>SAE</b>
Weight Per Length	7.154 kg/m	4.807 lb/ft
Available Length(s):	40P04-234X-000 3683 mm 40P04-234X-00C 25 - 3683 mm	145" 1" to 145"
Cross-Sectional Area	26.495 cm <sup>2</sup>	4.107 in <sup>2</sup>
Moment of Inertia	$I_x=190.217 \text{ cm}^4$ $I_y=400.626 \text{ cm}^4$	$I_x=4.570 \text{ in}^4$ $I_y=9.625 \text{ in}^4$



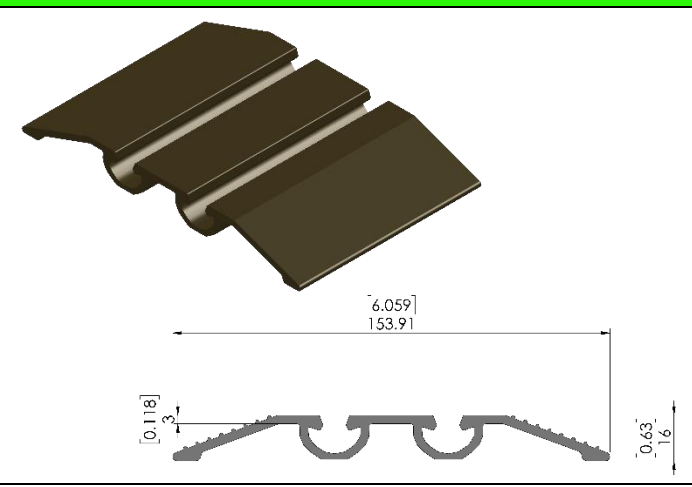
**90X90 4-SLOT INSIDE CORNER STANDARD** **40P04-992X-000**

Material	6005-T5	
Finish/Color: Type II, Architectural Class I Anodize	Light Bronze	40P04-9922-000
	Black	40P04-9921-000
	Clear	40P04-9924-000
	<b>Metric</b>	<b>SAE</b>
Weight Per Length	4.836 kg/m	3.250 lb/ft
Available Length(s):	3683 mm 25 - 3683 mm	145" 1" to 145"
Cross-Sectional Area	17.910 cm <sup>2</sup>	2.776 in <sup>2</sup>
Moment of Inertia	$I_x = 130.819 \text{ cm}^4$ $I_y = 130.819 \text{ cm}^4$	$I_x = 3.143 \text{ in}^4$ $I_y = 3.143 \text{ in}^4$



**NEW - 80MM THRESHOLD** **40P04-201X-000**

Material	6005-T5	
Finish/Color: Type II, Architectural Class I Anodize	Light Bronze	40P04-2012-000
	Black	40P04-2011-000
	Clear	40P04-2014-000
	<b>Metric</b>	<b>SAE</b>
Weight Per Length	1.87 kg/m	1.26 lb/ft
Available Length(s):	3683 mm 25 - 3683 mm	145" 1" to 145"
Cross-Sectional Area	6.933 cm <sup>2</sup>	1.075 in <sup>2</sup>
Moment of Inertia	$I_x = 1.631 \text{ cm}^4$ $I_y = 121.152 \text{ cm}^4$	$I_x = 0.039 \text{ in}^4$ $I_y = 2.911 \text{ in}^4$



**NOTES**

---

---

---

---

---

---

---

---

---

---

SOLUTIONS

PROFILES

COMPONENTS

MOTION

DOORS & FLOORS

ACCESSORIES

HARDWARE

## Components

AngleLock components are designed, engineered, and manufactured to perform with the greatest strength, performance, and precision in the industry. Our patented AngleLock fastening system creates fixed joints, optimizing the strength of each connection. All components are packaged as preassembled kits, including all hardware needed for use.

	Description	Part Number	Page
<b>25mm</b>	<b>NEW - 25MM MEDIUM DUTY CORNER BRACKET KIT</b>	25CIC-0721-001-01	22
<b>40mm/80mm Brackets</b>	40MM UNIVERSAL PERPENDICULAR BRACKET KIT	40CUB-0411-001-01	23
	40MM STANDARD DUTY PANEL MOUNT CORNER BRACKET KIT	40CIC-0421-003-01	23
	40MM STANDARD DUTY CORNER BRACKET KIT	40CIC-0421-001-01	24
	80MM MEDIUM DUTY CORNER BRACKET KIT	40CIC-0741-001-01	24
	40MM STANDARD DUTY PERPENDICULAR BRACKET KIT	40CPB-0421-001-01	25
	80MM HEAVY DUTY PERPENDICULAR BRACKET KIT	40CPB-0541-001-01	25
	40MM STANDARD DUTY UNIVERSAL CORNER BRACKET KIT	40CUB-0411-002-01	26
	80MM MEDIUM DUTY CUSTOM UNIVERSAL CORNER BRACKET KIT	40CUB-0521-001-01	26
	40MM HEAVY DUTY CORNER BRACKET KIT	40CIC-0521-001-01	27
	80MM HEAVY DUTY PARALLEL CORNER BRACKET KIT	40CPB-0541-002-01	27
	40MM STANDARD DUTY BUTT JOINT JOINING PLATE KIT	40CJP-0421-004-01	28
	80MM STANDARD DUTY BUTT JOINT JOINING PLATE KIT	40CJP-0441-001-01	28
	<b>NEW - 40MM HEAVY DUTY BUTT JOINT JOINING PLATE KIT</b>	40CJP-0521-001-01	29
	<b>NEW - 80MM HEAVY DUTY BUTT JOINT JOINING PLATE KIT</b>	40CJP-0541-001-01	29
	40MM 3-WAY CORNER BRACKET KIT	40C3W-0431-001-01	30
	80MM 3-WAY CORNER BRACKET KIT	40C3W-0451-001-01	30
	<b>NEW - 80MM 90° 3-WAY CORNER BRACKET KIT – LEFT</b>	40C3W-0451-004-01	31
	<b>NEW - 80MM 90° 3-WAY CORNER BRACKET KIT – RIGHT</b>	40C3W-0451-005-01	31
	40MM 3-WAY RECESSED CORNER BRACKET KIT – LEFT	40C3W-0431-002-01	32
	80MM 3-WAY RECESSED CORNER BRACKET KIT – LEFT	40C3W-0451-002-01	32
	40MM 3-WAY RECESSED CORNER BRACKET KIT – RIGHT	40C3W-0431-003-01	33
	80MM 3-WAY RECESSED CORNER BRACKET KIT – RIGHT	40C3W-0451-003-01	33
40MM 90° 3X3 HOLE JOINING PLATE KIT	40CJP-0421-001-01	34	
<b>Adj. Angle Brackets</b>	40MM ADJUSTABLE ANGLE BRACKET OFFSET PROFILE MOUNT KIT	40CAB-0411-002-01	34
	40MM ADJ. ANGLE BRACKET OFFSET PROFILE TO END MOUNT KIT	40CAB-0411-004-01	35
	40MM ADJUSTABLE ANGLE BRACKET PROFILE TO END MOUNT KIT	40CAB-0411-007-01	35
	40MM ADJUSTABLE ANGLE BRACKET END MOUNT KIT	40CAB-0411-005-01	36
	40MM ADJ. ANGLE BRACKET PROFILE/OFFSET PROFILE MOUNT KIT	40CAB-0411-008-01	36

	Description	Part Number	Page
Threaded Inserts	40-6 STANDARD THREADED INSERT KIT	40CTI-0410-001-01	37
	40-6 END MOUNT THREADED INSERT KIT	40CTI-0410-004-01	37
	40-6 THREADED INSERT WITH 20° ANGLE NUT KIT	40CTI-0410-001-03	38
	40-6 STANDARD THREADED INSERT WITH DROP-IN NUT KIT	40CTI-0410-001-04	38
	40-6 DOUBLE THREADED INSERT KIT	40CTI-0410-001-02	39
Straight Hole Rivets	Ø27MM 1/4" UNIVERSAL ANGLE RIVET KIT	40RRI-0411-006-01	39
	Ø27MM 3/8" UNIVERSAL ANGLE RIVET KIT	40RRI-0411-007-01	40
	Ø27MM ANGLE RIVET KIT	40RRI-0411-005-01	40
Angled Hole Rivets	Ø27MM X 20MM STANDARD RIVET KIT	40RRI-0411-003-01	41
	40MM COMPOUND ANGLE BRACKET KIT	40RAB-0421-001-01	41
	2-HOLE RIVET PLATE KIT	40RJP-0421-00X-01	42
	40MM ADJUSTABLE ANGLE PLATE KIT – LEFT	40RJP-0421-006-01	42
	40MM ADJUSTABLE ANGLE PLATE KIT – RIGHT	40RJP-0421-007-01	43

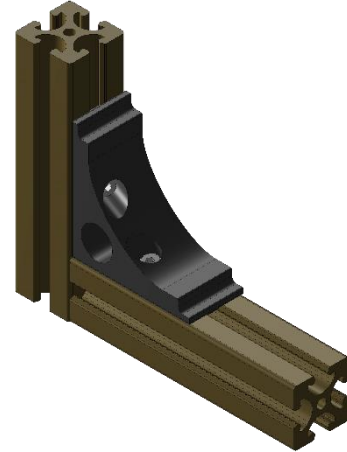
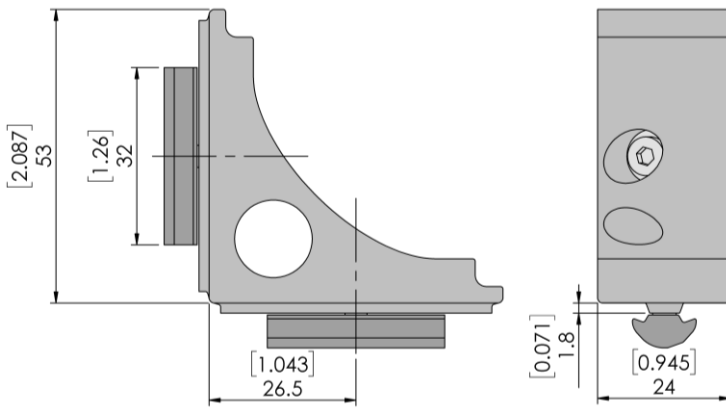
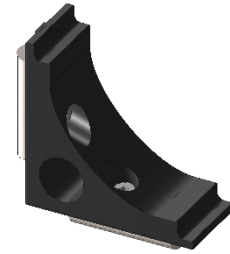
## Rivets

AngleLock is able to offer many components unique to the structural aluminum industry thanks to the patented AngleLock system. Based upon a tapered locking surface, in combination with the angled fastening method, these rivets provide an extremely strong grip, yet remain easily removed and reused. These rivets also allow for infinite adjustability and an endless number of fastening options.

## NEW - 25MM MEDIUM DUTY CORNER BRACKET KIT

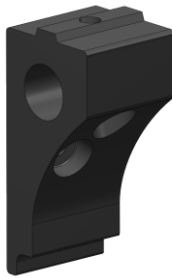
25CIC-0721-001-01

Material	6061-T6	
Finish	Type II, Class 2 Anodize, Black	
Parts Included in Kit	(1) 25mm Medium Duty Corner Bracket [25CIC-0721-001-00] (2) M4x0.7x12mm 12.9 Zinc Flake Flanged SHCS [00HSW-3507-200-00] (2) M4x0.7x32mm 1-Hole Angle Nut [25HAN-3407-001-00]	
	<b>Metric</b>	<b>SAE</b>
Weight	0.08 kg [83.3 g]	0.184 lb [2.94 oz]



More 25mm bracket kits are in development and are coming soon in 2025. Some include:

25mm Perpendicular Bracket



25mm to 40mm Corner Bracket



25mm Universal Corner Bracket



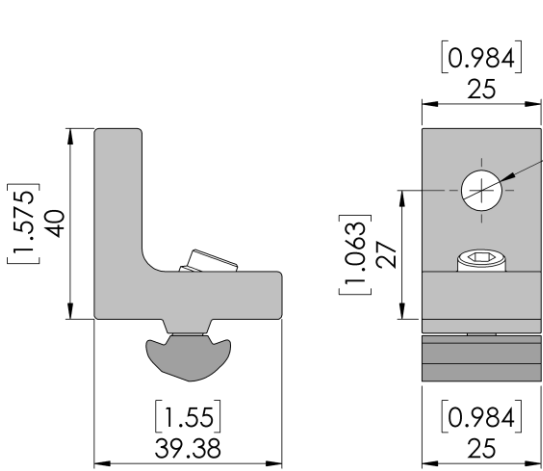
25mm Hinge



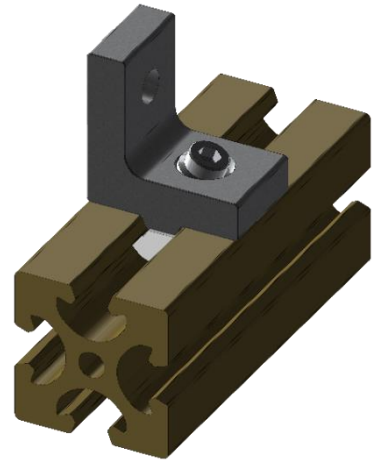
**Please contact sales for updates and information on 25mm brackets that are in development.** Also refer to the website as these will be placed online when they are in production.

**40MM UNIVERSAL PERPENDICULAR BRACKET KIT** **40CUB-0411-001-01**

Material	6061-T6	
Finish	Type II, Class 2 Anodize, Black	
Parts Included in Kit	(1) 40mm Universal Perpendicular Bracket [40CUB-0411-001-00] (1) M6 25mm 1-Hole Angle Nut [40HAN-3407-001-00] (1) M6x1.0x20mm 12.9 Flanged SHCS [00HSW-3507-202-00]	
	<b>Metric</b>	<b>SAE</b>
Weight	0.08 kg [76 g]	0.17 lb [2.7 oz]

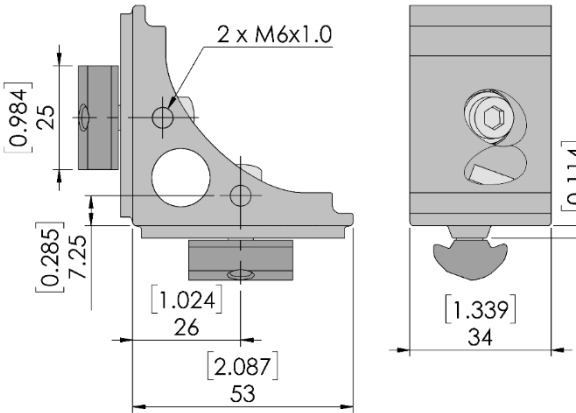
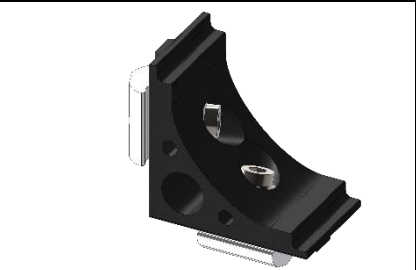


**Quick Tip:**  
Use to securely mount benchtops, anchor a sub-assembly to a plate, mount other off shelf components, etc.

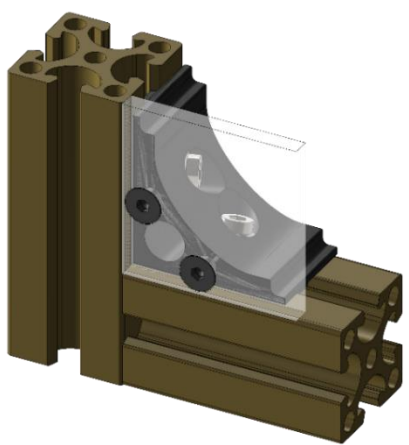


**40MM STANDARD DUTY PANEL MOUNT CORNER BRACKET KIT** **40CIC-0421-003-01**

Material	6061-T6	
Finish	Type II, Class 2 Anodize, Black	
Parts Included in Kit	(1) 35mm Standard Duty Bracket [40CIC-0421-003-00] (2) M6 25mm 1-Hole Angle Nut [40HAN-3407-001-00] (2) M6x1.0x20mm 12.9 Flanged SHCS [00HSW-3507-202-00]	
	<b>Metric</b>	<b>SAE</b>
Weight	0.14 kg [139 g]	0.31 lb [4.9 oz]



**Quick Tip:**  
Utilize this bracket not only to connect two profiles, but also to mount paneling.

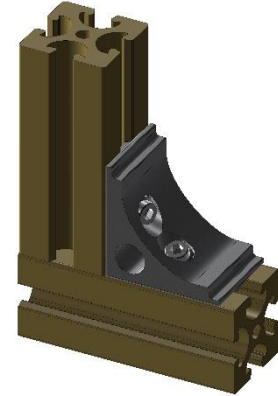
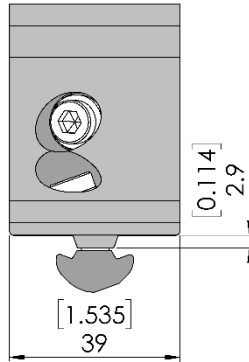
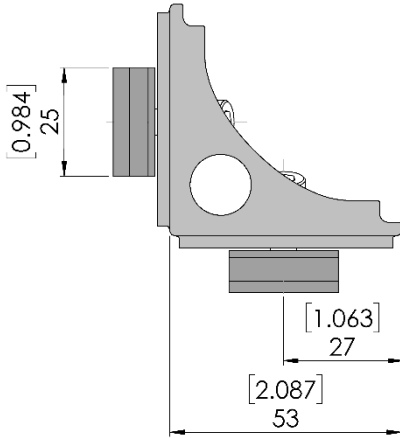


- SOLUTIONS
- PROFILES
- COMPONENTS
- MOTION
- DOORS & FLOORS
- ACCESSORIES
- HARDWARE

## 40MM STANDARD DUTY CORNER BRACKET KIT

40CIC-0421-001-01

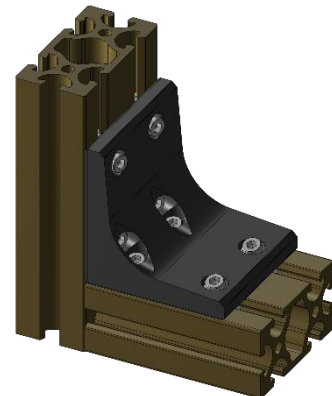
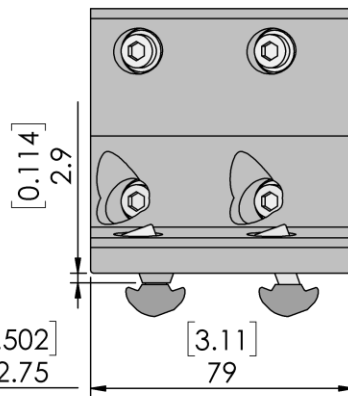
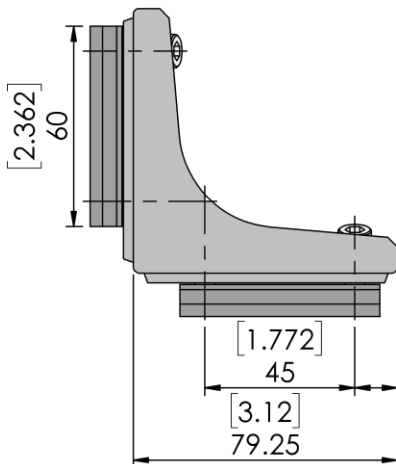
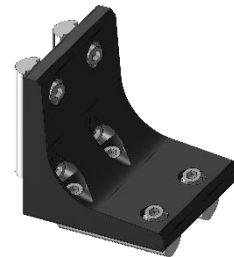
Material	6061-T6	
Finish	Type II, Class 2 Anodize, Black	
Parts Included in Kit	(1) 40mm Standard Duty Bracket [40CIC-0421-001-00] (2) M6 25mm 1-Hole Angle Nut [40HAN-3407-001-00] (2) M6x1.0x20mm 12.9 Flanged SHCS [00HSW-3507-202-00]	
	<b>Metric</b>	<b>SAE</b>
Weight	0.15 kg [153 g]	0.34 lb [5.38 oz]



## 80MM MEDIUM DUTY CORNER BRACKET KIT

40CIC-0741-001-01

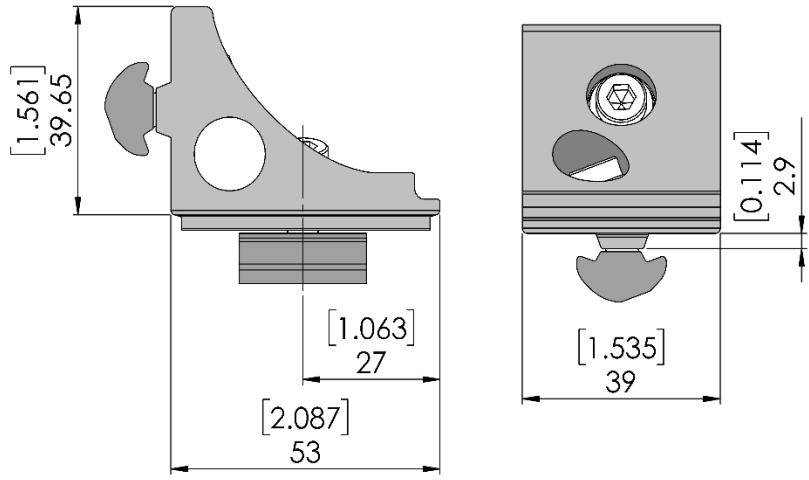
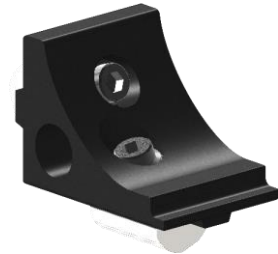
Material	6061-T6	
Finish	Type II, Class 2 Anodize, Black	
Parts Included in Kit	(1) 80mm MD Corner Bracket [40CIC-0741-001-00] (4) M6 60mm 2-Hole Angle Nut [40HAN-3407-005-00] (8) M6x1.0x20mm 12.9 Flanged SHCS [00HSW-3507-202-00]	
	<b>Metric</b>	<b>SAE</b>
Weight	0.69 kg [690 g]	1.52 lb [24.3 oz]





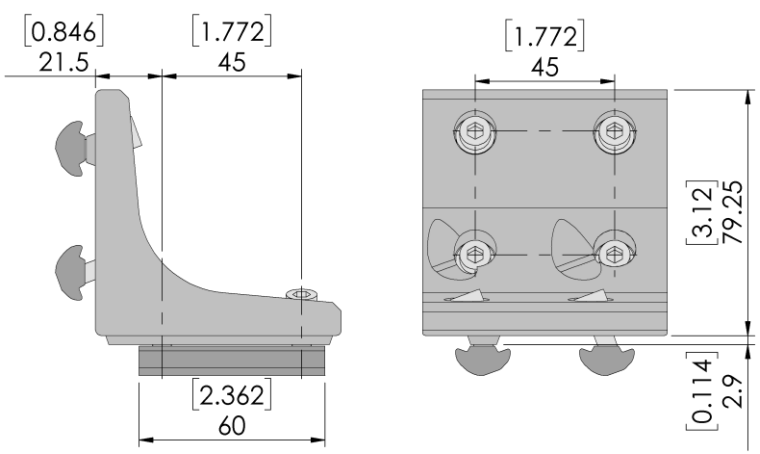
**40MM STANDARD DUTY PERPENDICULAR BRACKET KIT** **40CPB-0421-001-01**

Material	6061-T6	
Finish	Type II, Class 2 Anodize, Black	
Parts Included in Kit	(1) 40mm SD Perpendicular Bracket [40CPB-0421-001-00] (2) M6 25mm 1-Hole Angle Nut [40HAN-3407-001-00] (2) M6x1.0x20mm 12.9 Flanged SHCS [00HSW-3507-202-00]	
	<b>Metric</b>	<b>SAE</b>
Weight	0.14 kg [143 g]	0.32 lb [5.1 oz]



**80MM HEAVY DUTY PERPENDICULAR BRACKET KIT** **40CPB-0541-001-01**

Material	6061-T6	
Finish	Type II, Class 2 Anodize, Black	
Parts Included in Kit	(1) 80mm HD Perpendicular Bracket [40CPB-0541-001-00] (4) M6 60mm 2-Hole Angle Nut [40HAN-3407-005-00] (8) M6x1.0x20mm 12.9 Flanged SHCS [00HSW-3507-202-00]	
	<b>Metric</b>	<b>SAE</b>
Weight	0.69 kg [689 g]	1.52 lb [24.3 oz]

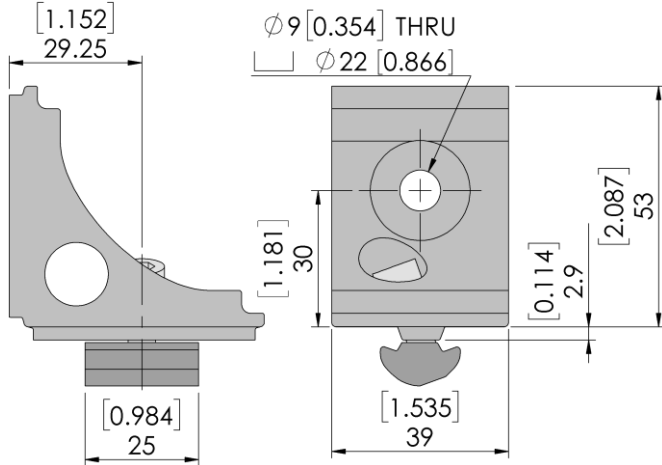


- SOLUTIONS
- PROFILES
- COMPONENTS
- MOTION
- DOORS & FLOORS
- ACCESSORIES
- HARDWARE

## 40MM STANDARD DUTY UNIVERSAL CORNER BRACKET KIT

40CUB-0411-002-01

Material	6061-T6	
Finish	Type II, Class 2 Anodize, Black	
Parts Included in Kit	(1) 40mm SD Universal Corner Bracket [40CUB-0411-002-00] (1) M6 25mm 1-Hole Angle Nut [40HAN-3407-001-00] (1) M6x1.0x20mm 12.9 Flanged SHCS [00HSW-3507-202-00]	
	<b>Metric</b>	<b>SAE</b>
Weight	0.13 kg [133 g]	0.29 lb [4.7 oz]



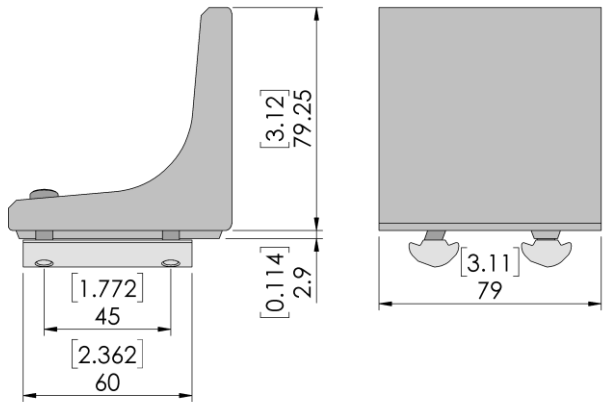
**Quick Tip:**  
Use to securely mount benchtops, anchor a sub-assembly to a plate, mount other off shelf components, etc.



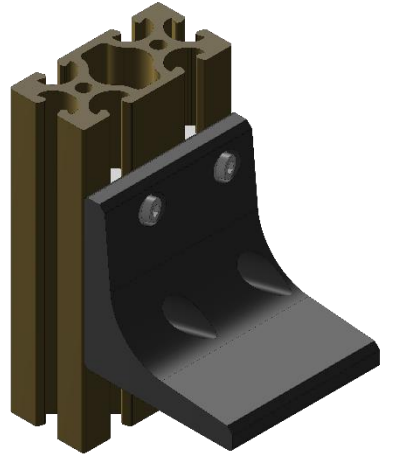
## 80MM MEDIUM DUTY CUSTOM UNIVERSAL CORNER BRACKET KIT

40CUB-0521-001-01


Material	6061-T6	
Finish	Type II, Class 2 Anodize, Black	
Parts Included in Kit	(1) 80mm Medium Duty Custom Universal Corner Bracket [40CUB-0521-001-00] (2) M6 60mm 2-Hole Angle Nut [40HAN-3407-005-00] (4) M6x1.0x20mm 12.9 Zinc Flake Flanged SHCS [00HSW-3507-202-00]	
	<b>Metric</b>	<b>SAE</b>
Weight	1.01 kg [1005 g]	2.21 lb [35.44 oz]

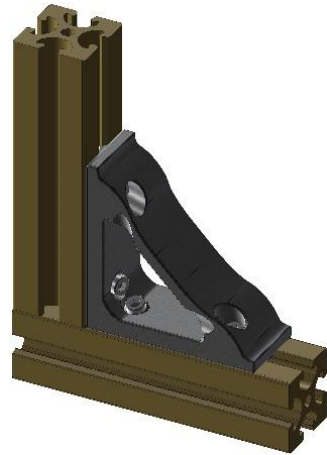
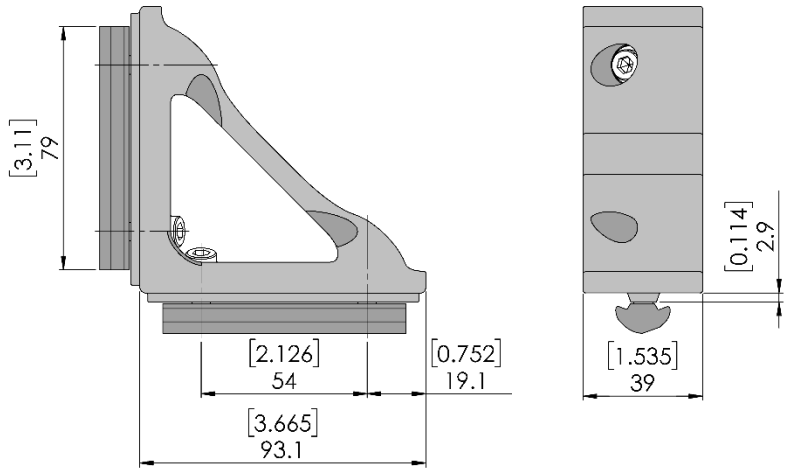


**Quick Tip:**  
This bracket has one leg that is free of any hole pattern. Machine as needed to suit your project's need.




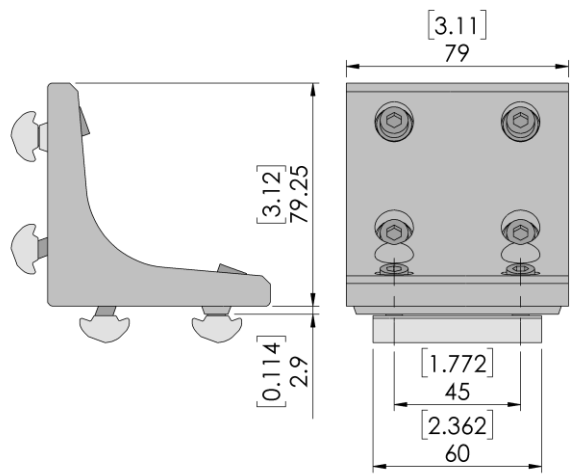
**40MM HEAVY DUTY CORNER BRACKET KIT** **40CIC-0521-001-01**

Material	6061-T6		
Finish	Type II, Class 2 Anodize, Black		
Parts Included in Kit	(1) 40mm Heavy Duty Bracket [40CIC-0521-001-00] (2) M6 79mm 2-Hole Angle Nut [40HAN-3407-004-00] (4) M6x1.0x20mm 12.9 Flanged SHCS [00HSW-3507-202-00]		
Weight	Metric 0.46 kg [463 g]	SAE 1.02 lb [16.3 oz]	



**80MM HEAVY DUTY PARALLEL CORNER BRACKET KIT** **40CPB-0541-002-01**

Material	6061-T6		
Finish	Type II, Class 2 Anodize, Black		
Parts Included in Kit	(1) 80mm HD Parallel Corner Bracket [40CPB-0541-002-00] (4) M6x1.0 60mm 2-Hole Angle Nut [40HAN-3407-005-00] (8) M6x1.0x20mm 12.9 Flake Flanged SHCS [00HSW-3507-202-00]		
Weight	Metric 0.69 kg [694 g]	SAE 1.53 lb [24.5 oz]	

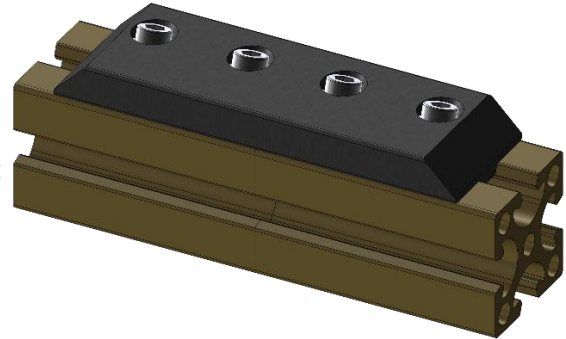
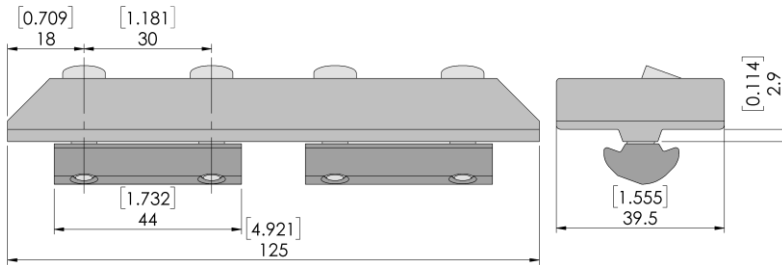


- SOLUTIONS
- PROFILES
- COMPONENTS
- MOTION
- DOORS & FLOORS
- ACCESSORIES
- HARDWARE

## 40MM STANDARD DUTY BUTT JOINT JOINING PLATE KIT

40CJP-0421-004-01

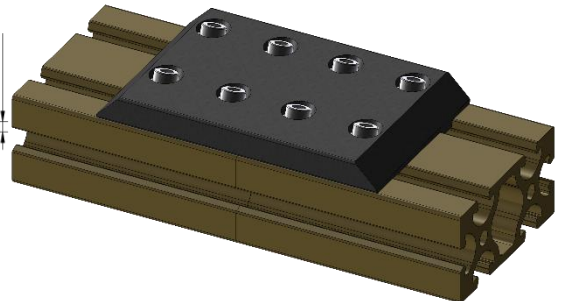
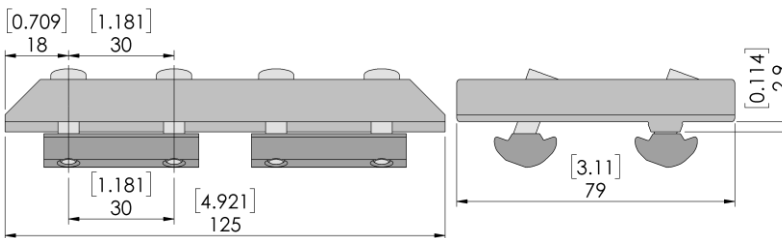
Material	6061-T6	
Finish	Type II, Class 2 Anodize, Black	
Parts Included in Kit	(1) 40mm SD Butt Joint Joining Plate [40CJP-0421-004-00] (2) M6 44mm 2-Hole Angle Nut [40HAN-3407-003-00] (4) M6x1.0x20mm 12.9 Flanged SHCS [00HSW-3507-202-00]	
	<b>Metric</b>	<b>SAE</b>
Weight	0.26 kg [257 g]	0.57 lb [9.1 oz]



## 80MM STANDARD DUTY BUTT JOINT JOINING PLATE KIT

40CJP-0441-001-01

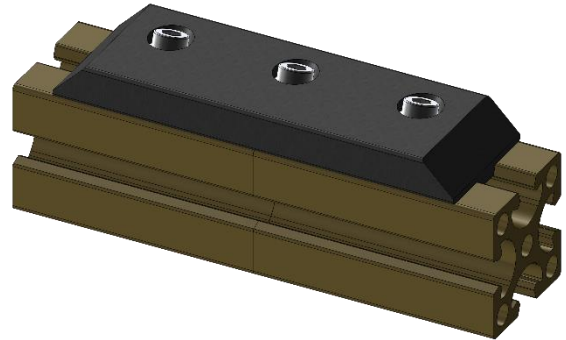
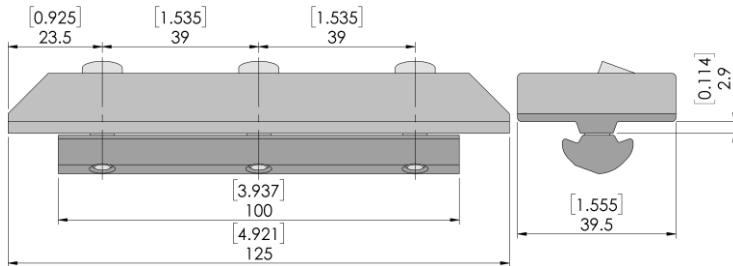
Material	6061-T6	
Finish	Type II, Class 2 Anodize, Black	
Parts Included in Kit	(1) 80mm SD Butt Joint Joining Plate [40CJP-0441-001-00] (4) M6 44mm 2-Hole Angle Nut [40HAN-3407-003-00] (8) M6x1.0x20mm 12.9 Flanged SHCS [00HSW-3507-202-00]	
	<b>Metric</b>	<b>SAE</b>
Weight	0.50 kg [503 g]	1.11 lb [17.8 oz]



**NEW - 40MM HEAVY DUTY BUTT JOINT JOINING PLATE KIT**

**40CJP-0521-001-01**

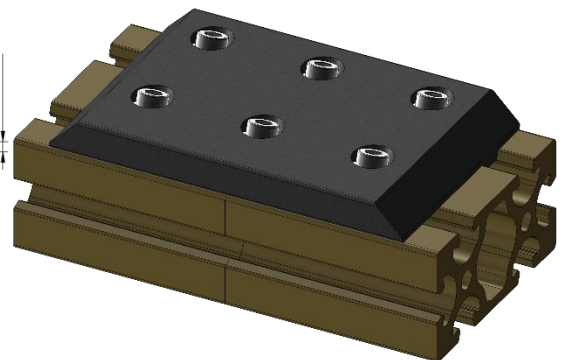
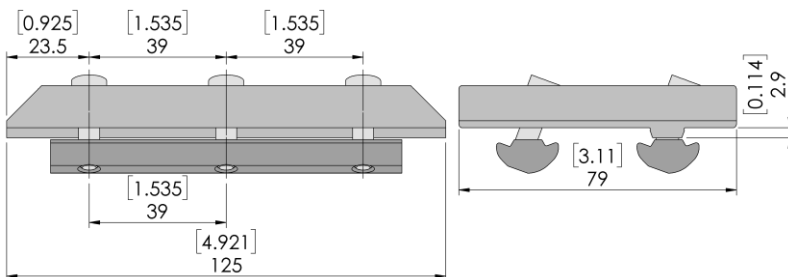
Material	6061-T6	
Finish	Type II, Class 2 Anodize, Black	
Parts Included in Kit	(1) 40mm HD Butt Joint Joining Plate [40CJP-0521-001-00] (1) M6 100mm 3-Hole Angle Nut [40HAN-3407-002-00] (3) M6x1.0x20mm 12.9 Flanged SHCS [00HSW-3507-202-00]	
	<b>Metric</b>	<b>SAE</b>
Weight	0.21 kg [206 g]	0.45 lb [7.3 oz]



**NEW - 80MM HEAVY DUTY BUTT JOINT JOINING PLATE KIT**

**40CJP-0541-001-01**

Material	6061-T6	
Finish	Type II, Class 2 Anodize, Black	
Parts Included in Kit	(1) 80mm HD Butt Joint Joining Plate [40CJP-0541-001-00] (2) M6 100mm 3-Hole Angle Nut [40HAN-3407-002-00] (6) M6x1.0x20mm 12.9 Flanged SHCS [00HSW-3507-202-00]	
	<b>Metric</b>	<b>SAE</b>
Weight	0.52 kg [518 g]	1.14 lb [18.3 oz]



SOLUTIONS

PROFILES

COMPONENTS

MOTION

DOORS & FLOORS

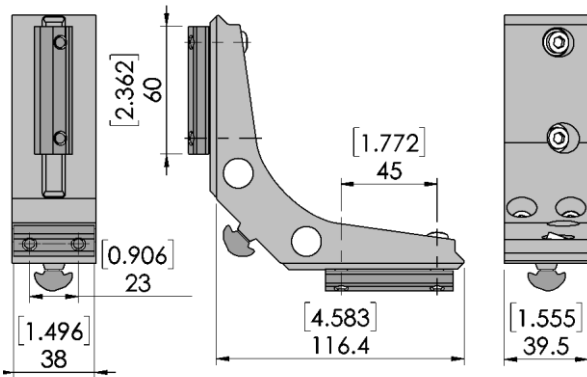
ACCESSORIES

HARDWARE

## 40MM 3-WAY CORNER BRACKET KIT

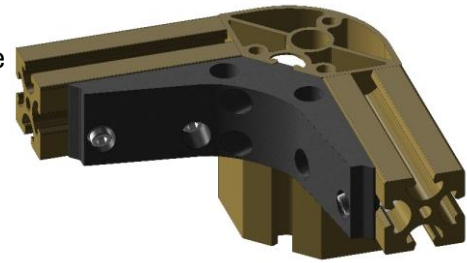
40C3W-0431-001-01

Material	6061-T6	
Finish	Type II, Class 2 Anodize, Black	
Parts Included in Kit	(1) 40mm 3-Way Bracket [40C3W-0431-001-00] (2) M6 60mm 2-Hole Angle Nut [40HAN-3407-005-00] (1) M6 38mm 2-Hole Angle Nut [40HAN-3407-007-00] (6) M6x1.0x20mm 12.9 Flanged SHCS [00HSW-3507-202-00]	
	<b>Metric</b>	<b>SAE</b>
Weight	0.50 kg [503 g]	1.11 lb [17.8 oz]



### Quick Tip:

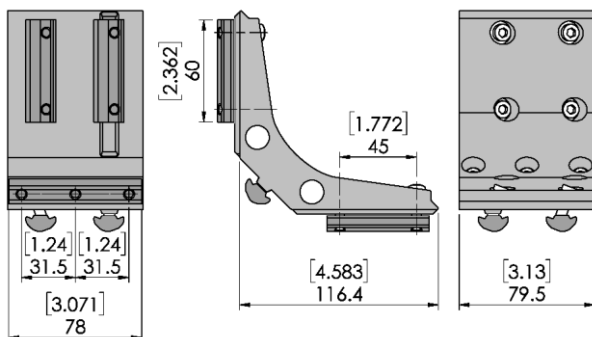
An excellent choice for table leg type applications. See page 98 for more info.



## 80MM 3-WAY CORNER BRACKET KIT

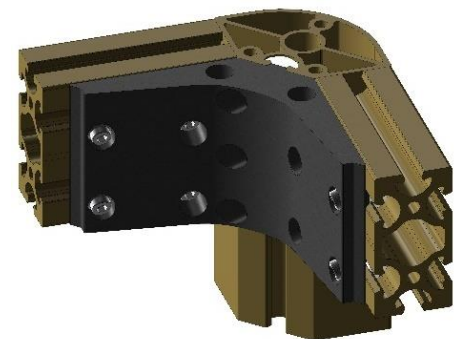
40C3W-0451-001-01

Material	6061-T6	
Finish	Type II, Class 2 Anodize, Black	
Parts Included in Kit	(1) 80mm 3-Way Bracket [40C3W-0451-001-00] (4) M6 60mm 2-Hole Angle Nut [40HAN-3407-005-00] (1) M6 78mm 3-Hole Angle Nut [40HAN-3407-009-00] (11) M6x1.0x20mm 12.9 Flanged SHCS [00HSW-3507-202-00]	
	<b>Metric</b>	<b>SAE</b>
Weight	1.00 kg [1003 g]	2.21 lb [35.4 oz]



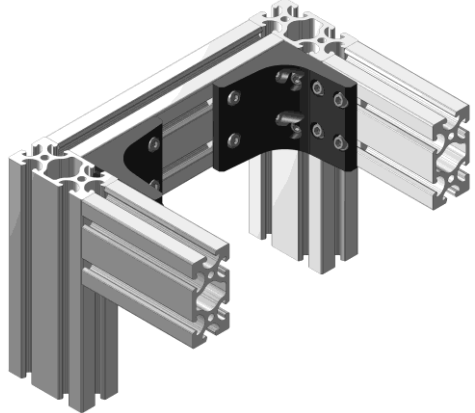
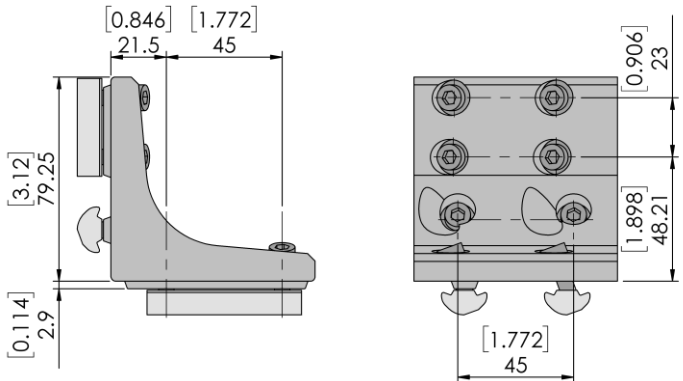
### Quick Tip:

An excellent choice for table leg type applications. See page 98 for more info.



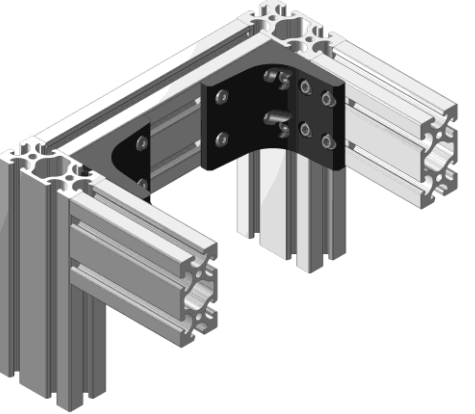
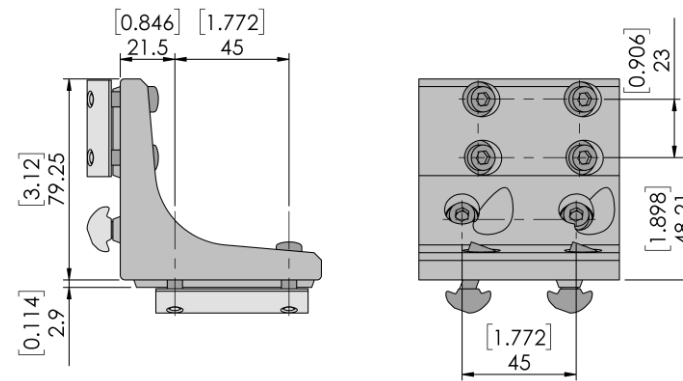
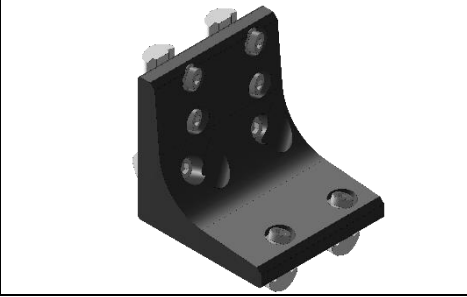
**NEW - 80MM 90° 3-WAY CORNER BRACKET KIT - LEFT** **40C3W-0451-004-01**

Material	6061-T6	
Finish	Type II, Class 2 Anodize, Black	
Parts Included in Kit	(1) 80mm 90° 3-Way Corner Bracket - Left [40C3W-0451-004-00] (3) M6 60mm 2-Hole Angle Nut [40HAN-3407-005-00] (2) M6 38mm 2-Hole Angle Nut [40HAN-3407-007-00] (10) M6x1.0x20mm 12.9 Flanged SHCS [00HSW-3507-202-00]	
	<b>Metric</b>	<b>SAE</b>
Weight	0.71 kg [713 g]	1.57 lb [25.2 oz]



**NEW - 80MM 90° 3-WAY CORNER BRACKET KIT - RIGHT** **40C3W-0451-005-01**

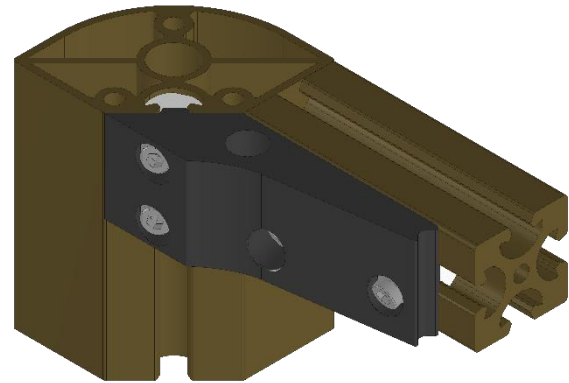
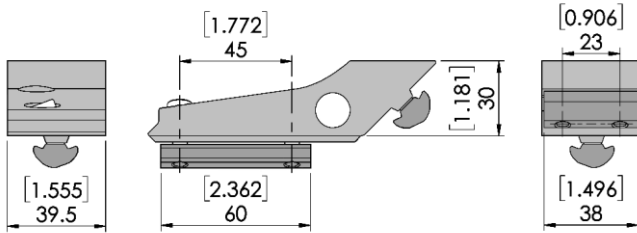
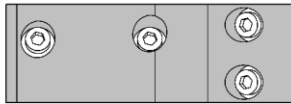
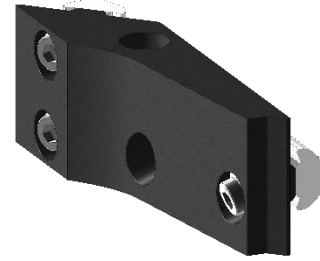
Material	6061-T6	
Finish	Type II, Class 2 Anodize, Black	
Parts Included in Kit	(1) 80mm 90° 3-Way Corner Bracket - Right [40C3W-0451-005-00] (3) M6 60mm 2-Hole Angle Nut [40HAN-3407-005-00] (2) M6 38mm 2-Hole Angle Nut [40HAN-3407-007-00] (10) M6x1.0x20mm 12.9 Flanged SHCS [00HSW-3507-202-00]	
	<b>Metric</b>	<b>SAE</b>
Weight	0.71 kg [713 g]	1.57 lb [25.2 oz]



## 40MM 3-WAY RECESSED CORNER BRACKET KIT – LEFT

40C3W-0431-002-01

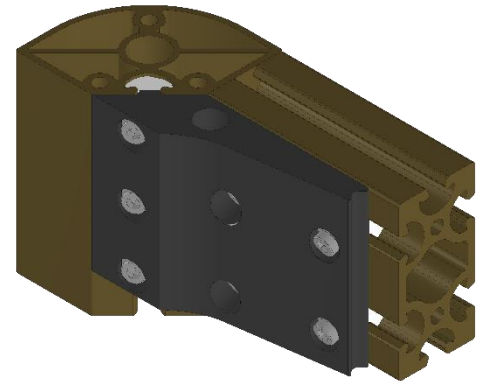
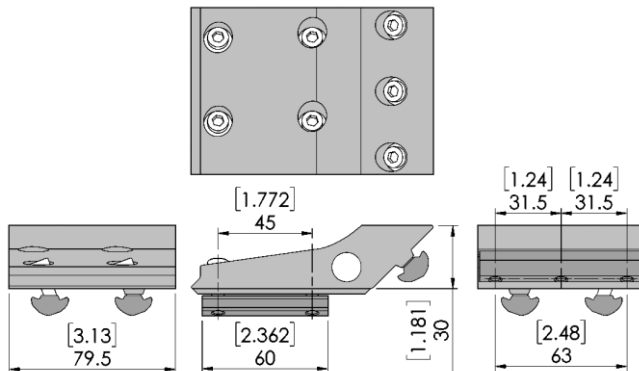
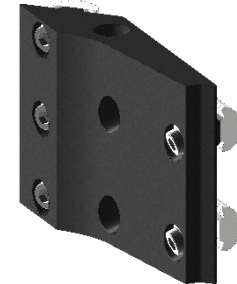
Material	6061-T6	
Finish	Type II, Class 2 Anodize, Black	
Parts Included in Kit	(1) 40mm 3-Way Recessed Corner Bracket-Left [40C3W-0431-002-00] (1) M6 60mm 2-Hole Angle Nut [40HAN-3407-005-00] (1) M6 38mm 2-Hole Angle Nut [40HAN-3407-007-00] (4) M6x1.0x20mm 12.9 Flanged SHCS [00HSW-3507-202-00]	
	<b>Metric</b>	<b>SAE</b>
Weight	0.30 kg [301 g]	0.67 lb [10.6 oz]



## 80MM 3-WAY RECESSED CORNER BRACKET KIT – LEFT

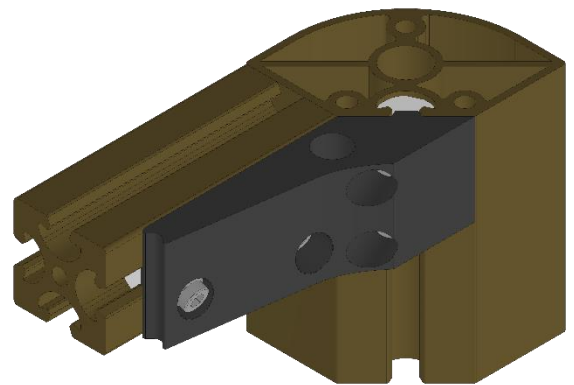
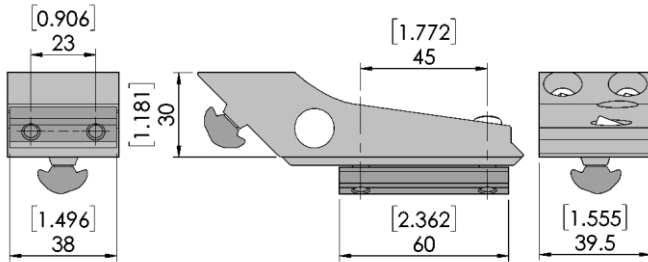
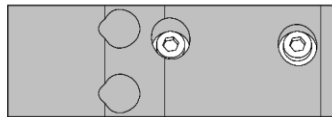
40C3W-0451-002-01

Material	6061-T6	
Finish	Type II, Class 2 Anodize, Black	
Parts Included in Kit	(1) 80mm 3-Way Recessed Corner Bracket-Left [40C3W-0451-002-00] (2) M6 60mm 2-Hole Angle Nut [40HAN-3407-005-00] (1) M6 78mm 3-Hole Angle Nut [40HAN-3407-009-00] (7) M6x1.0x20mm 12.9 Flanged SHCS [00HSW-3507-202-00]	
	<b>Metric</b>	<b>SAE</b>
Weight	0.6 kg [590 g]	1.32 lb [21.3 oz]

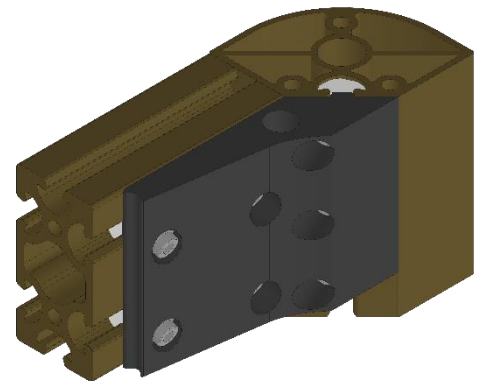
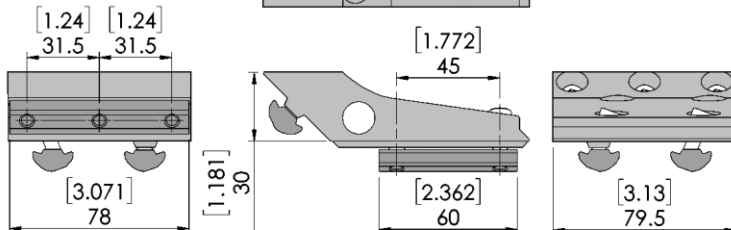
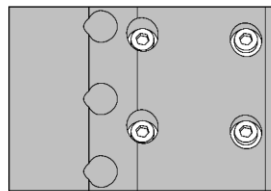




40MM 3-WAY RECESSED CORNER BRACKET KIT – RIGHT		40C3W-0431-003-01
Material	6061-T6	
Finish	Type II, Class 2 Anodize, Black	
Parts Included in Kit	(1) 40mm 3-Way Recessed Corner Bracket-Right [40C3W-0431-003-00] (1) M6 60mm 2-Hole Angle Nut [40HAN-3407-005-00] (1) M6 38mm 2-Hole Angle Nut [40HAN-3407-007-00] (4) M6x1.0x20mm 12.9 Flanged SHCS [00HSW-3507-202-00]	
	<b>Metric</b>	<b>SAE</b>
Weight	0.29 kg [292 g]	0.64 lb [10.3 oz]



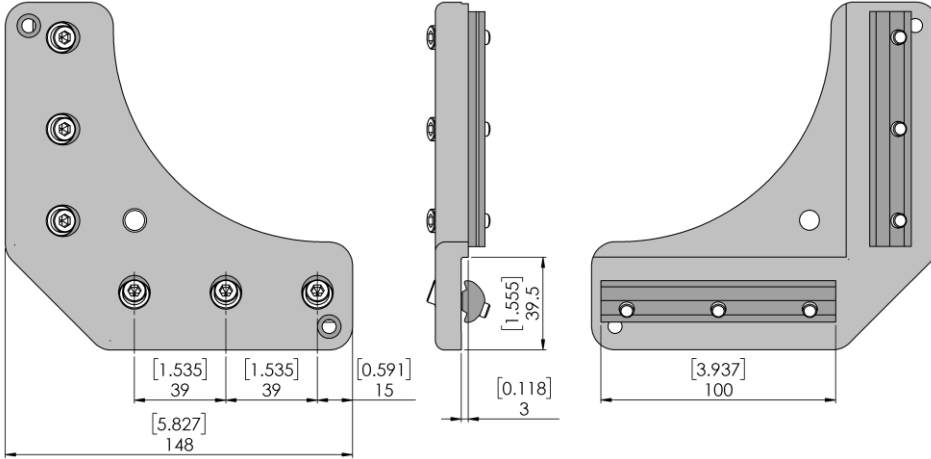
80MM 3-WAY RECESSED CORNER BRACKET KIT – RIGHT		40C3W-0451-003-01
Material	6061-T6	
Finish	Type II, Class 2 Anodize, Black	
Parts Included in Kit	(1) 80mm 3-Way Recessed Corner Bracket-Right [40C3W-0451-003-00] (2) M6 60mm 2-Hole Angle Nut [40HAN-3407-005-00] (1) M6 78mm 3-Hole Angle Nut [40HAN-3407-009-00] (7) M6x1.0x20mm 12.9 Flanged SHCS [00HSW-3507-202-00]	
	<b>Metric</b>	<b>SAE</b>
Weight	0.58 kg [585 g]	1.29 lb [20.6 oz]



## 40MM 90° 3X3 HOLE JOINING PLATE KIT

40CJP-0421-001-01

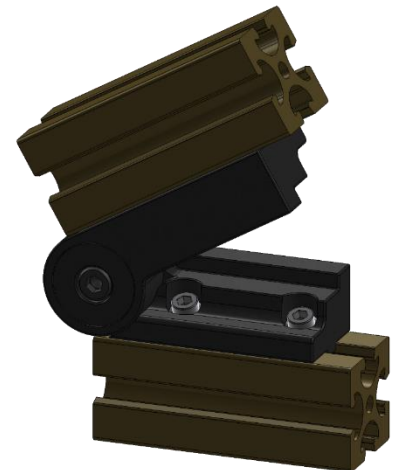
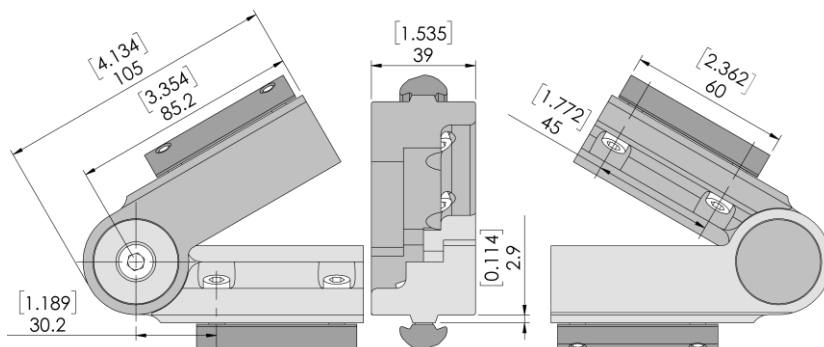
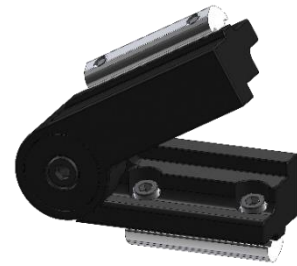
Material	6061-T6	
Finish	Type II, Class 2 Anodize, Black	
Parts Included in Kit	(1) 40mm 90° 3x3 Hole Joining Plate [40CJP-0421-001-00] (2) M6 100mm 3-Hole Angle Nut [40HAN-3407-002-00] (6) M6x1.0x20mm 12.9 Flanged SHCS [00HSW-3507-202-00]	
	<b>Metric</b>	<b>SAE</b>
Weight	0.60 kg [596 g]	1.30 lb [21 oz]



## 40MM ADJUSTABLE ANGLE BRACKET OFFSET PROFILE MOUNT KIT

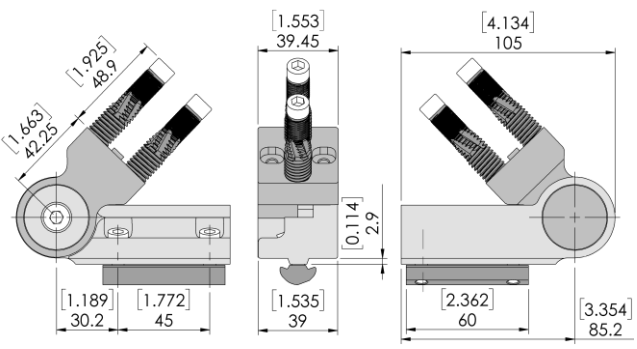
40CAB-0411-002-01

Material	6061-T6	
Finish	Type II, Class 2 Anodize, Black	
Parts Included in Kit	(2) 40mm Adjustable Angle Bracket, Offset Profile Mount [40CAB-0411-002-00] (1) Ø27mm x 30mm Black standard Fat Rivet – Male [40RRI-0411-001-00] (1) Ø27mm x 30mm Black standard Fat Rivet – Female [40RRI-0411-002-00] (1) M8x1.25x22mm 12.9 SCHS (Bright Zinc) [00HSW-3404-004-00] (2) M6 60mm 2-Hole Angle Nut [40HAN-3407-005-00] (4) M6x1.0x20mm 12.9 Flanged SHCS [00HSW-3507-202-00]	
	<b>Metric</b>	<b>SAE</b>
Weight	0.54 kg [544 g]	1.20 lb [19.2 oz]

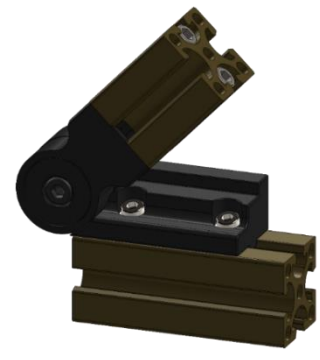


**40MM ADJ. ANGLE BRACKET OFFSET PROFILE TO END MOUNT KIT 40CAB-0411-004-01**

Material	6061-T6	
Finish	Type II, Class 2 Anodize, Black	
Parts Included in Kit	(1) 40mm Adjustable Angle Bracket, Offset Profile Mount [40CAB-0411-002-00] (1) 40mm Adjustable Angle Bracket, End Mount [40CAB-0411-005-00] (1) Ø27mm x 30mm Black standard Fat Rivet – Male [40RRI-0411-001-00] (1) Ø27mm x 30mm Black standard Fat Rivet – Female [40RRI-0411-002-00] (1) M8x1.25x22mm 12.9 SCHS (Bright Zinc) [00HSW-3404-004-00] (1) M6 60mm 2-Hole Angle Nut [40HAN-3407-005-00] (2) M6x1.0x20mm 12.9 Flanged SHCS [00HSW-3507-202-00] (2) 40-6 End Mount Threaded Insert [40CTI-0410-004-00] (2) M6x1.0x55mm 12.9 CDI SHCS [00HSW-3507-800-00]	
	<b>Metric</b>	<b>SAE</b>
Weight	0.46 kg [462 g]	1.02 lb [16.3 oz]

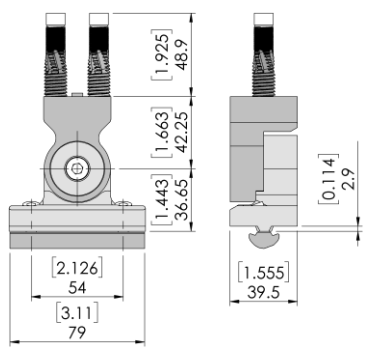


**Quick Tip:**  
Tighten the M8 bolt for a secure hold at the angle of your choosing. Loosen the bolt at any time for a quick and easy adjustment.

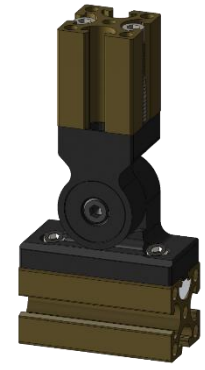


**40MM ADJUSTABLE ANGLE BRACKET PROFILE TO END MOUNT KIT 40CAB-0411-007-01**

Material	6061-T6	
Finish	Type II, Class 2 Anodize, Black	
Parts Included in Kit	(1) 40mm Adjustable Angle Bracket, Profile Mount [40CAB-0411-007-00] (1) 40mm Adjustable Angle Bracket, End Mount [40CAB-0411-005-00] (1) Ø27mm x 30mm Black standard Fat Rivet – Male [40RRI-0411-001-00] (1) Ø27mm x 30mm Black standard Fat Rivet – Female [40RRI-0411-002-00] (1) M8x1.25x22mm 12.9 SCHS (Bright Zinc) [00HSW-3404-004-00] (1) M6 79mm 2-Hole Angle Nut [40HAN-3407-004-00] (2) M6x1.0x20mm 12.9 Flanged SHCS [00HSW-3507-202-00] (2) 40-6 End Mount Threaded Insert [40CTI-0410-004-00] (2) M6x1.0x55mm 12.9 CDI SHCS [00HSW-3507-800-00]	
	<b>Metric</b>	<b>SAE</b>
Weight	0.46 kg [464 g]	1.02 lb [16.4 oz]



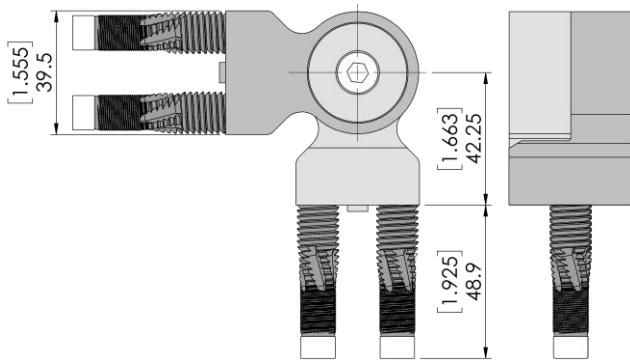
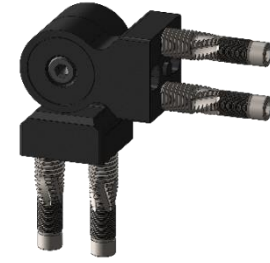
**Quick Tip:**  
Tighten the M8 bolt for a secure hold at the angle of your choosing. Loosen the bolt at any time for a quick and easy adjustment.



## 40MM ADJUSTABLE ANGLE BRACKET END MOUNT KIT

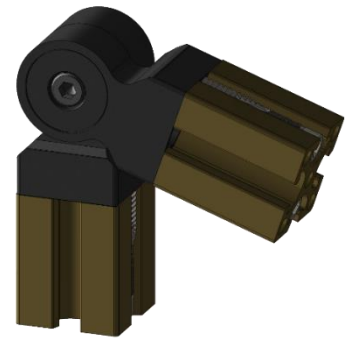
40CAB-0411-005-01

Material	6061-T6	
Finish	Type II, Class 2 Anodize, Black	
Parts Included in Kit	(2) 40mm Adjustable Angle Bracket, End Mount [40CAB-0411-005-00] (1) Ø27mmx30mm Black Standard Flat Rivet-Male [40RRI-0411-001-00] (1) Ø27mmx30mm Black Standard Flat Rivet-Female [40RRI-0411-002-00] (1) M8x1.25x22mm 12.9 SHCS [00HSW-3404-004-00] (4) 40-6 End Mount Threaded Insert [40CTI-0410-004-00] (4) M6x1.0x55mm 12.9 CDI SHCS [00HSW-3507-800-00]	
	<b>Metric</b>	<b>SAE</b>
Weight	0.38 kg [379 g]	8.36 lb [13.4 oz]



### Quick Tip:

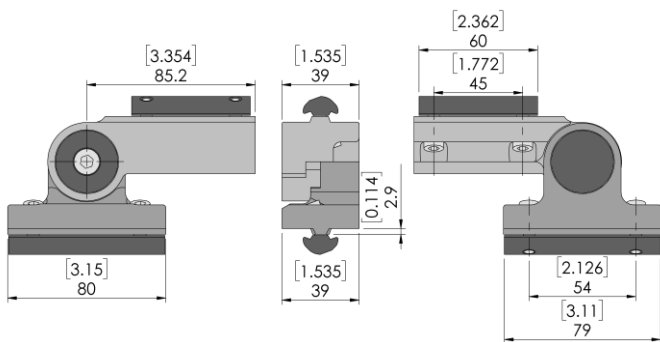
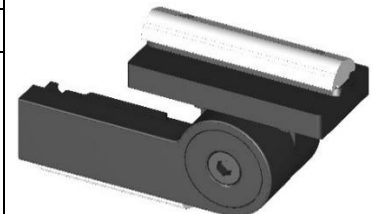
Tighten the M8 bolt for a secure hold at the angle of your choosing. Loosen the bolt at any time for a quick and easy adjustment.



## 40MM ADJ. ANGLE BRACKET PROFILE/OFFSET PROFILE MOUNT KIT

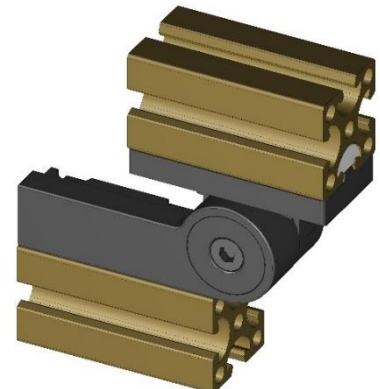
40CAB-0411-008-01

Material	6061-T6	
Finish	Type II, Class 2 Anodize, Black	
Parts Included in Kit	(1) 40mm Adjustable Angle Bracket, Offset Profile Mount [40CAB-0411-002-00] (1) M6x1.0 60mm 2-Hole Angle Nut [40HAN-3407-005-00] (2) M6x1.0x20mm 12.9 Flanged SHCS [00HSW-3507-202-00] (1) 40mm Adjustable Angle Bracket, Profile Mount [40CAB-0411-007-00] (1) Ø27mmx30mm Black Standard Flat Rivet-Male [40RRI-0411-001-00] (1) Ø27mmx30mm Black Standard Flat Rivet-Female [40RRI-0411-002-00] (1) M6 79mm 2 Hole Angle Nut [40HAN-3407-004-00] (2) M6x1.0x20mm 12.9 Flanged SHCS [40HSW-3507-202-00]	
	<b>Metric</b>	<b>SAE</b>
Weight	0.54 kg [542 g]	1.2 lb [19.1 oz]



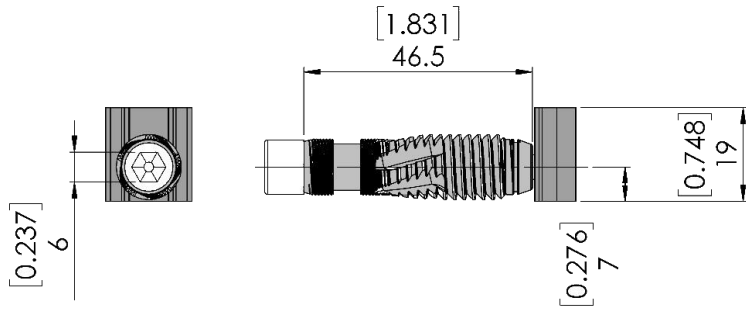
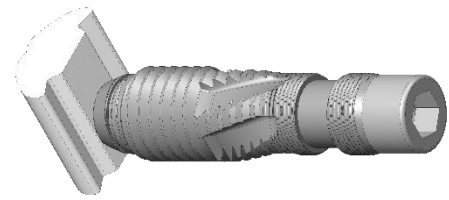
### Quick Tip:

Tighten the M8 bolt for a secure hold at the angle of your choosing. Loosen the bolt at any time for a quick and easy adjustment.

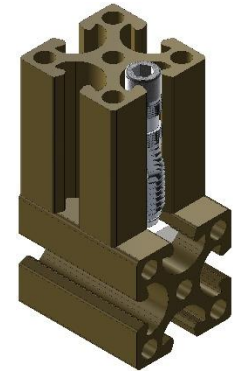


**40-6 STANDARD THREADED INSERT KIT** **40CTI-0410-001-01**

Material	7075-T6	
Finish	None	
Parts Included in Kit	(1) 40-6 Threaded Insert [40CTI-0410-001-00] (1) M6 20mm 1-Hole Std. Offset Nut [40HSN-3407-001-00] (1) M6x1.0x55mm 12.9 Special SHCS [00HSW-3507-800-00]	
	<b>Metric</b>	<b>SAE</b>
Weight	0.038 kg [38 g]	0.08 lb [1.3 oz]

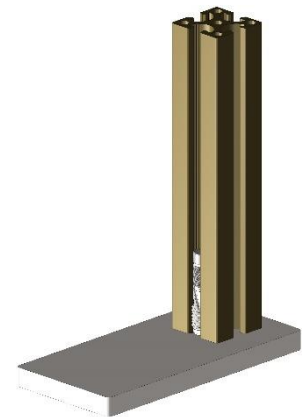
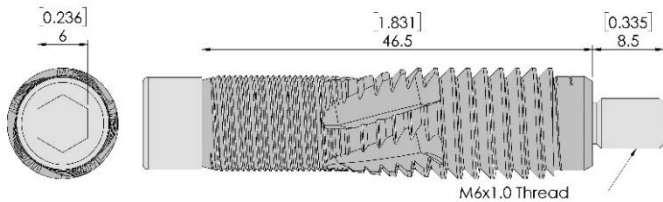
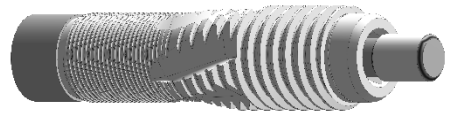


**Quick Tip:**  
Our threaded inserts have a self tapping body which not only allows for quick and easy installation, but also provides a very secure hold for a given joint.



**40-6 END MOUNT THREADED INSERT KIT** **40CTI-0410-004-01**

Material	7075-T6	
Finish	None	
Parts Included in Kit	(1) 40-6 End Mount Threaded Insert [40CTI-0410-004-00] (1) M6x1.0x55mm 12.9 Special SHCS [00HSW-3507-800-00]	
	<b>Metric</b>	<b>SAE</b>
Weight	0.02 kg [22 g]	0.05 lb [0.78 oz]

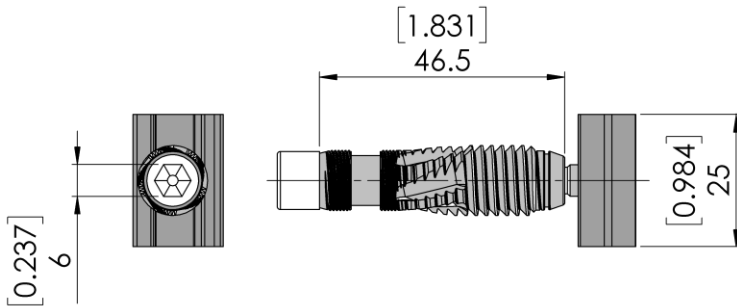
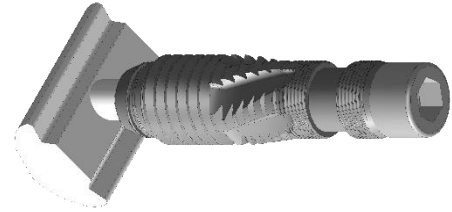


- SOLUTIONS
- PROFILES
- COMPONENTS
- MOTION
- DOORS & FLOORS
- ACCESSORIES
- HARDWARE

## 40-6 THREADED INSERT WITH 20° ANGLE NUT KIT

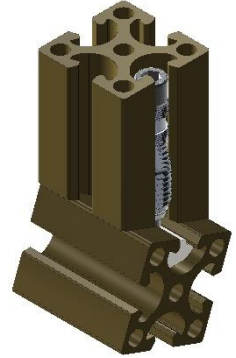
40CTI-0410-001-03

Material	7075-T6	
Finish	None	
Parts Included in Kit	(1) 40-6 Threaded Insert [40CTI-0410-001-00] (1) M6 25mm 1-Hole Angle Nut [40HAN-3407-001-00] (1) M6x1.0x55mm 12.9 Special SHCS [00HSW-3507-800-00]	
	<b>Metric</b>	<b>SAE</b>
Weight	0.045 kg [45 g]	0.1 lb [1.6 oz]



### Quick Tip:

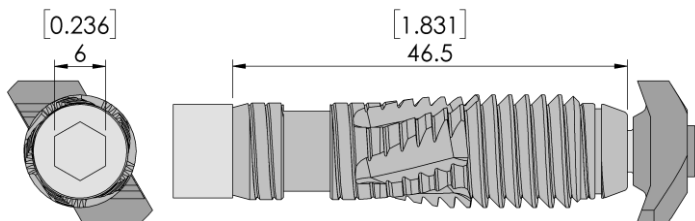
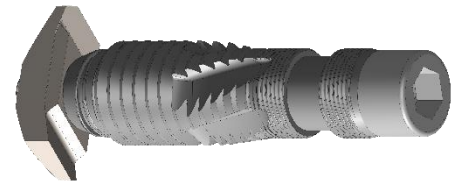
Our threaded inserts have a self tapping body which not only allows for quick and easy installation. Utilize the 20 degree angle version for angled shelving, tool holders, etc.



## 40-6 STANDARD THREADED INSERT WITH DROP-IN NUT KIT

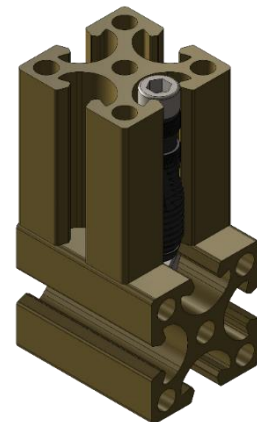
40CTI-0410-001-04

Material	7075-T6	
Finish	None	
Parts Included in Kit	(1) 40-6 Threaded Insert [40CTI-0410-001-00] (1) M6x1.0 Bright Zinc Drop-In Nut [40HDI-3407-002-00] (1) M6x1.0x55mm 12.9 Special SHCS [00HSW-3507-800-00]	
	<b>Metric</b>	<b>SAE</b>
Weight	0.026 kg [26 g]	0.06 lb [0.9 oz]

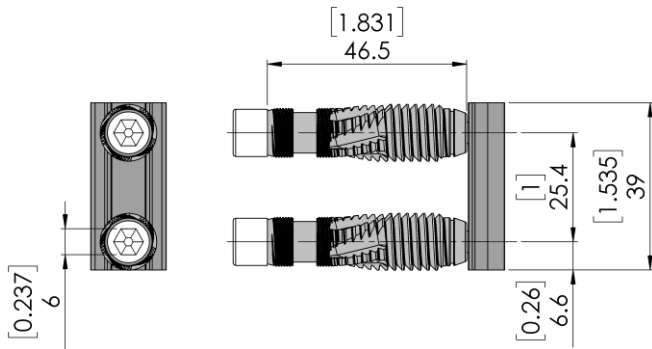
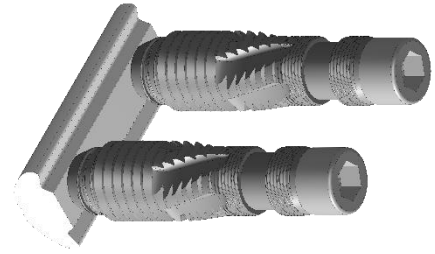


### Quick Tip:

Our threaded inserts have a self tapping body which not only allows for quick and easy installation, but also provides a very secure hold for a given joint.

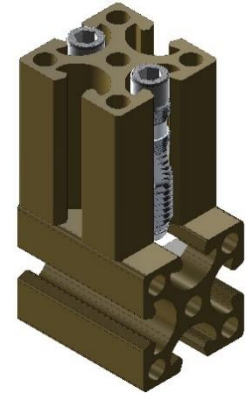


40-6 DOUBLE THREADED INSERT KIT		40CTI-0410-001-02
Material	7075-T6	
Finish	None	
Parts Included in Kit	(2) 40-6 Threaded Insert [40CTI-0410-001-00] (1) M6 39mm 2-Hole Std. Offset Nut [40HSN-3407-002-00] (2) M6x1.0x55mm 12.9 Special SHCS [00HSW-3507-800-00]	
	<b>Metric</b>	<b>SAE</b>
Weight	0.08 kg [76 g]	0.17 lb [2.7 oz]

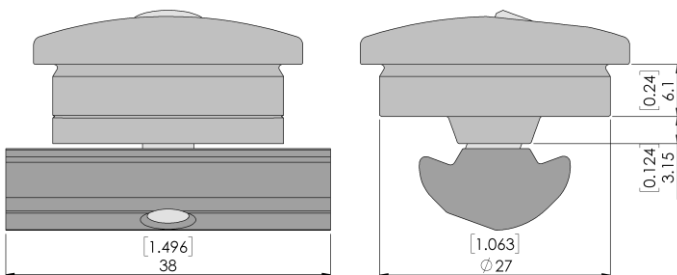
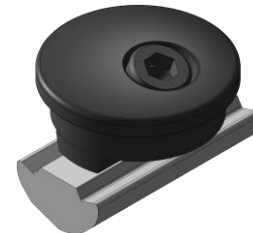


**Quick Tip:**

Our threaded inserts have a self tapping body which not only allows for quick and easy installation, but also provides a very secure hold for a given joint.

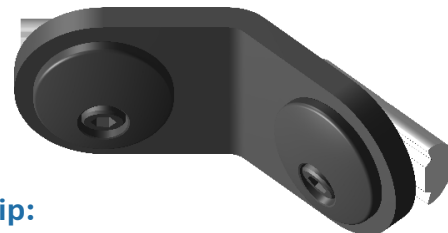


Ø27MM 1/4" UNIVERSAL ANGLE RIVET KIT		40RRI-0411-006-01
Material	7075-T6	
Finish	Type II, Class 2 Anodize, Black	
Parts Included in Kit	(1) Ø27mm 1/4" Universal Angle Rivet [40RRI-0411-006-00] (1) M6 38mm 1-Hole Angle Nut [40HAN-3407-008-00] (1) M6x1.0x20mm 12.9 SHCS [00HSW-3501-001-00]	
	<b>Metric</b>	<b>SAE</b>
Weight	0.05 kg [57 g]	0.13 lb [2.0 oz]



**Quick Tip:**

Make your own custom brackets out of 0.25" thick material and use the universal angle rivet to provide a long-lasting hold.



SOLUTIONS

PROFILES

COMPONENTS

MOTION

DOORS & FLOORS

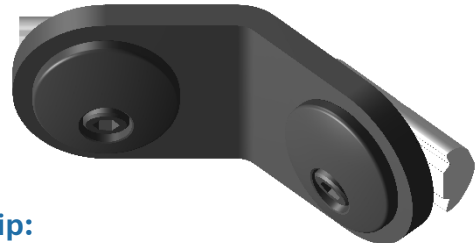
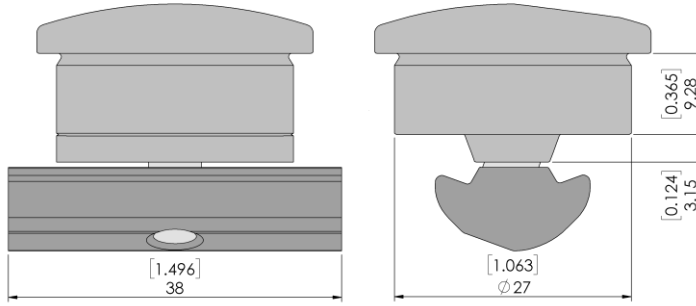
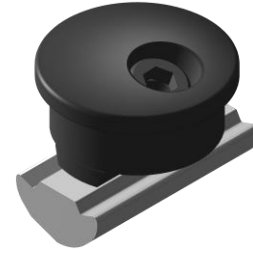
ACCESSORIES

HARDWARE

## Ø27MM 3/8" UNIVERSAL ANGLE RIVET KIT

40RRI-0411-007-01

Material	7075-T6	
Finish	Type II, Class 2 Anodize, Black	
Parts Included in Kit	(1) Ø27mm 3/8" Universal Angle Rivet [40RRI-0411-007-00] (1) M6 38mm 1-Hole Angle Nut [40HAN-3407-008-00] (1) M6x1.0x20mm 12.9 SHCS [00HSW-3501-001-00]	
	<b>Metric</b>	<b>SAE</b>
Weight	0.06 kg [62 g]	0.14 lb [2.2 oz]



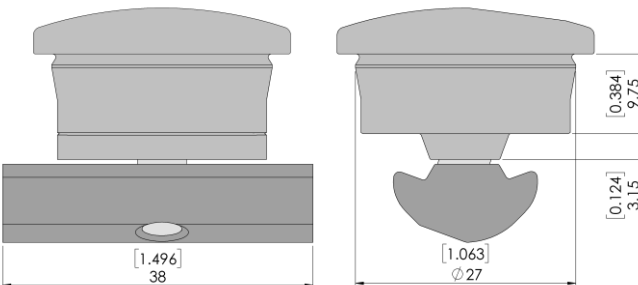
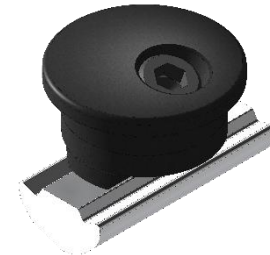
**Quick Tip:**

Make your own custom brackets out of 0.375" thick material and use the universal angle rivet to provide a long-lasting hold.

## Ø27MM ANGLE RIVET KIT

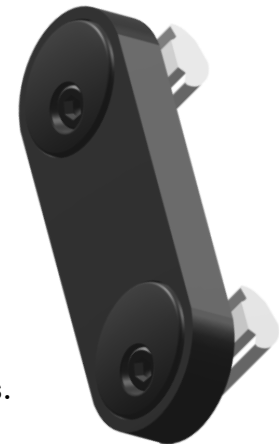
40RRI-0411-005-01

Material	7075-T6	
Finish	Type II, Class 2 Anodize, Black	
Parts Included in Kit	(1) Ø27mm Angle Rivet [40RRI-0411-005-00] (1) M6 38mm 1-Hole Angle Nut [40HAN-3407-008-00] (1) M6x1.0x20mm 12.9 SHCS [00HSW-3501-001-00]	
	<b>Metric</b>	<b>SAE</b>
Weight	0.06 kg [65 g]	0.14 lb [2.3 oz]



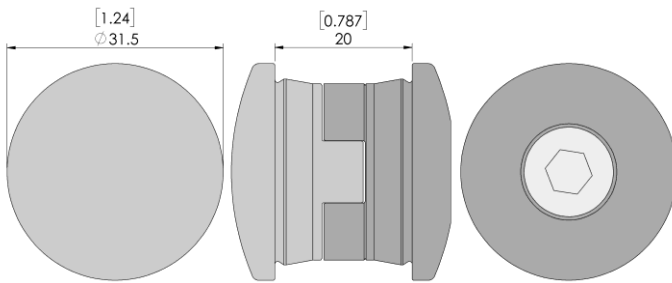
**Quick Tip:**

When utilized in the appropriately sized hole, this rivet gives your connection a resilient taper lock. Use with custom plates or our two hole-rivet plates. Lightly oil the contact surface to aid in assembly and later adjustments.





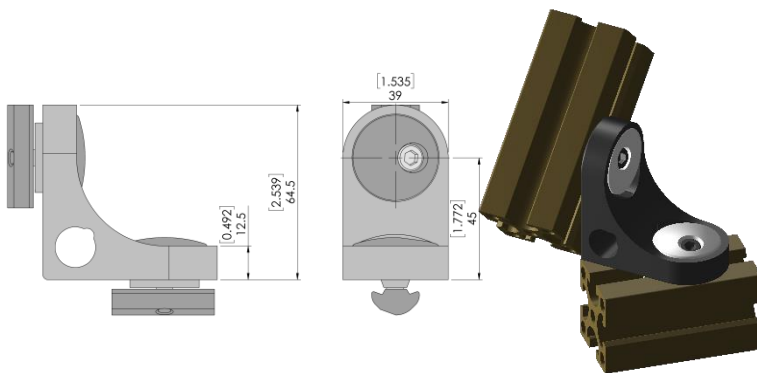
Ø27MM X 20MM STANDARD RIVET KIT		40RRI-0411-003-01
Material	7075-T6	
Finish	Type II, Class 2 Anodize, Black	
Parts Included in Kit	(1) Ø27mm x 20mm Std Rivet – Male [40RRI-0411-003-00] (1) Ø27mm x 20mm Std Rivet – Female [40RRI-0411-004-00] (1) M8x1.25x20mm 12.9 SHCS [00HSW-3401-016-00]	
	<b>Metric</b>	<b>SAE</b>
Weight	0.06 kg [58 g]	0.13 lb [2.1 oz]



**Quick Tip:**  
Combine brackets for a versatile, adjustable connection wherever is needed.



40MM COMPOUND ANGLE BRACKET KIT		40RAB-0421-001-01
Material	6061-T6	
Finish	Type II, Class 2 Anodize, Black	
Parts Included in Kit	(1) 40mm Compound Angle Bracket [40RAB-0421-001-00] (2) Ø27mm Angle Rivet Kit [40RRI-0411-005-01]	
	<b>Metric</b>	<b>SAE</b>
Weight	0.23 kg [234 g]	0.52 lb [8.3 oz]




**Quick Tip:**  
Lightly oil the contact surface of the rivet during installation to aid in assembly and later adjustments.

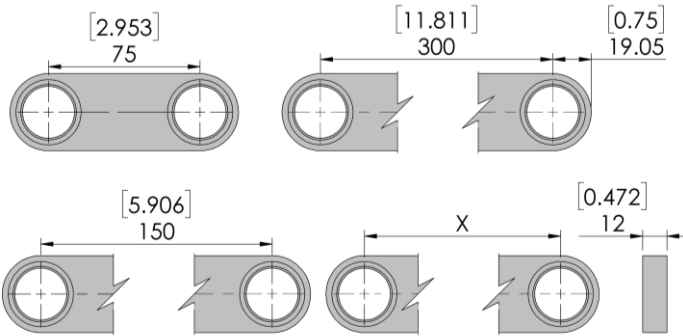
Can use the Ø27mm x 20mm Std Rivet Kit to chain angle brackets and plates together.



## 2-HOLE RIVET PLATE KIT

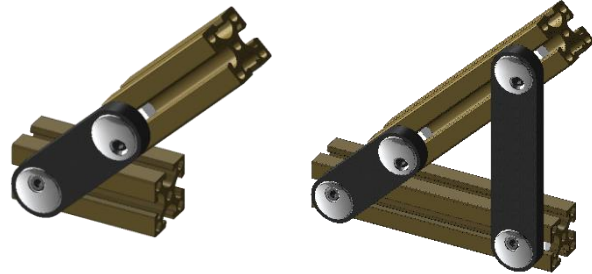
40RJP-0421-00X-01

Material	6061-T6		
Finish	Type II, Class 2 Anodize, Black		
Available Configurations	75mm 2-Hole Rivet Plate [40RJP-0421-001-01] 150mm 2-Hole Rivet Plate [40RJP-0421-002-01] 300mm 2-Hole Rivet Plate [40RJP-0421-003-01] Custom Length [40RJP-0421-001-0C]		
Parts Included in Kit	(1) 2-Hole Rivet Plate [40RJP-0421-00X-00] (2) Ø27MM Angle Rivet Kit [40RRI-0411-005-01]		
	<b>Metric</b>	<b>SAE</b>	
Weight	75mm – 0.49 kg [48.7 g] 150mm – 0.69 kg [69.1 g] 300mm – 1.10 kg [1099 g]	75mm – 0.49 lb [7.8 oz] 150mm – 0.69 lb [11.1 oz] 300mm – 1.1 lb [17.6 oz]	




**Quick Tip:**

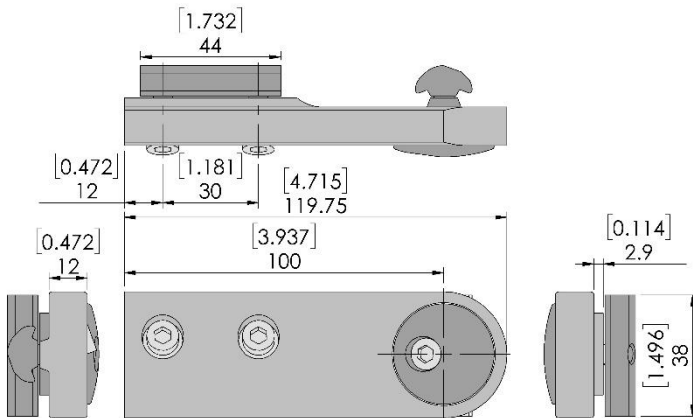
Don't see a length needed for your project? Contact us for custom lengths.



## 40MM ADJUSTABLE ANGLE PLATE KIT – LEFT

40RJP-0421-006-01

Material	6061-T6		
Finish	Type II, Class 2 Anodize, Black		
Parts Included in Kit	(1) 40mm Adj. Angle Plate – Left [40RJP-0421-006-00] (1) Ø27mm Angle Rivet Kit [40RRI-0411-005-01] (1) M6 44mm 2-Hole Angle Nut [40HAN-3407-003-00] (2) M6x1.0x20mm 12.9 Flanged SHCS [00HSW-3507-202-00]		
	<b>Metric</b>	<b>SAE</b>	
Weight	0.22 kg [222 g]	0.49 lb [7.8 oz]	



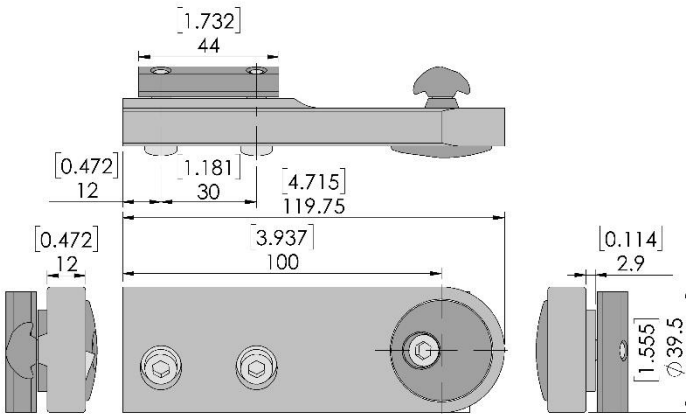
**Quick Tip:**

Lightly oil the contact surface of the rivet during installation to aid in assembly and later adjustments.

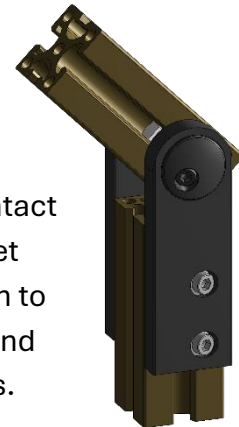


**40MM ADJUSTABLE ANGLE PLATE KIT – RIGHT** **40RJP-0421-007-01**

Material	6061-T6	
Finish	Type II, Class 2 Anodize, Black	
Parts Included in Kit	(1) 40mm Adj. Angle Plate – Right [40RJP-0421-007-00] (1) Ø27mm Angle Rivet Kit [40RRI-0411-005-01] (1) M6 44mm 2-Hole Angle Nut [40HAN-3407-003-00] (2) M6x1.0x20mm 12.9 Flanged SHCS [00HSW-3507-202-00]	
	<b>Metric</b>	<b>SAE</b>
Weight	0.22 kg [222 g]	0.49 lb [7.8 oz]



**Quick Tip:**  
Lightly oil the contact surface of the rivet during installation to aid in assembly and later adjustments.



SOLUTIONS

PROFILES

COMPONENTS

MOTION

DOORS & FLOORS

ACCESSORIES

HARDWARE

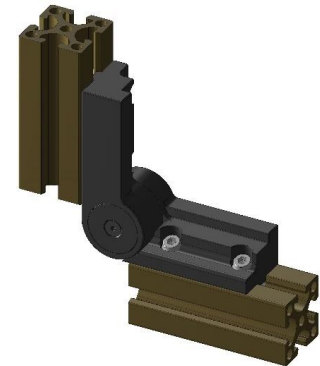
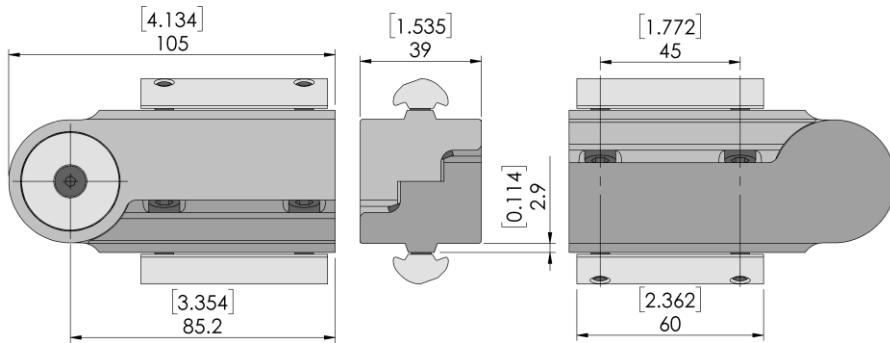
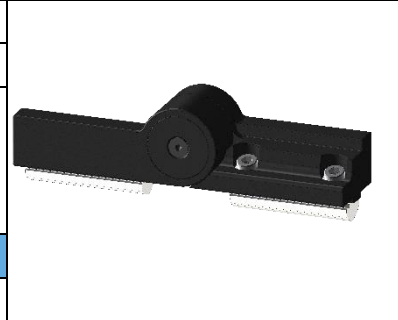
## Motion

For assemblies that need the ability for components to easily and freely move, AngleLock motion products are able to provide a simple solution for those applications.

	Description	Part Number	Page
Pivot Brackets	40MM PIVOT BRACKET OFFSET PROFILE MOUNT KIT	40MPI-0411-001-01	45
	40MM PIVOT BRACKET OFFSET PROFILE TO END MOUNT KIT	40MPI-0411-001-02	45
	40MM PIVOT BRACKET END MOUNT KIT	40MPI-0411-014-01	46
	40MM PIVOT BRACKET PROFILE MOUNT TO END MOUNT KIT	40MPI-0411-016-01	46
	40MM PIVOT BRACKET PROFILE TO OFFSET PROFILE MOUNT KIT	40MPI-0411-016-03	47
	40MM RH INLINE PIVOT KIT	40MPI-0411-010-01	47
	40MM LH INLINE PIVOT KIT	40MPI-0411-007-01	48
Roller Carriages	<b>NEW - 40X40 SD ROLLER CARRIAGE KIT, OUTSIDE MOUNT</b>	40MLM-0411-001-01	48
	<b>NEW - 40X40 HD ROLLER CARRIAGE KIT, OUTSIDE MOUNT</b>	40MLM-0511-001-01	49
	<b>NEW - 40X80 SD ROLLER CARRIAGE KIT, OUTSIDE MOUNT</b>	40MLM-0421-002-01	49
	<b>NEW - 40X80 HD ROLLER CARRIAGE KIT, OUTSIDE MOUNT</b>	40MLM-0521-001-01	50

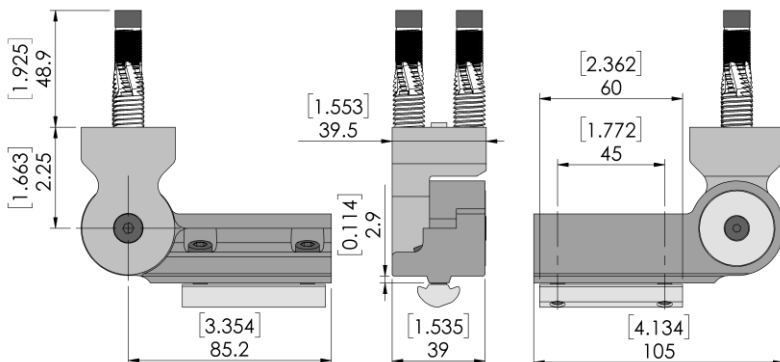
**40MM PIVOT BRACKET OFFSET PROFILE MOUNT KIT 40MPI-0411-001-01**

Material	6061-T6	
Finish	Type II, Class 2 Anodize, Black	
Parts Included in Kit	(1) 40mm Pivot Bracket, Offset Profile Mount-Bearing Side [40MPI-0411-001-00] (1) 40mm Pivot Bracket, Offset Profile Mount-Axle Side [40MPI-0411-002-00] (1) Bearing Assembly (4) M6x1.0x20mm 12.9 Flanged SHCS [00HSW-3507-202-00] (2) M6x1.0 60mm 2-Hole Angle Nut [40HAN-3407-005-00]	
	<b>Metric</b>	<b>SAE</b>
Weight	0.60 kg [603 g]	1.33 lb [21.3 oz]



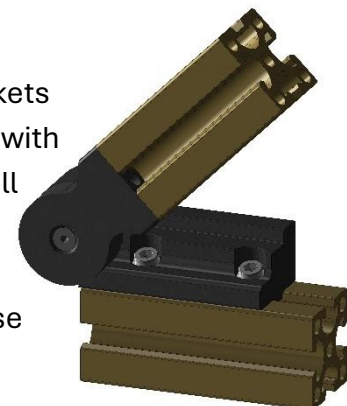
**40MM PIVOT BRACKET OFFSET PROFILE TO END MOUNT KIT 40MPI-0411-001-02**

Material	6061-T6	
Finish	Type II, Class 2 Anodize, Black	
Parts Included in Kit	(1) 40mm Pivot Bracket, Offset Profile Mount-Bearing Side [40MPI-0411-001-00] (1) 40mm Pivot Bracket, Offset Profile Mount-Axle Side [40MPI-0411-015-00] (1) Bearing Assembly (2) 40-6 End Mount Threaded Insert [40CTI-0410-004-00] (2) M6x1.0x55mm 12.9 CDI SHCS [00HSW-3507-800-00] (2) M6x1.0x20mm 12.9 Flanged SHCS [00HSW-3507-202-00] (1) M6x1.0 60mm 2-Hole Angle Nut [40HAN-3407-005-00]	
	<b>Metric</b>	<b>SAE</b>
Weight	0.52 kg [521 g]	1.15 lb [18.4 oz]



**Quick Tip:**

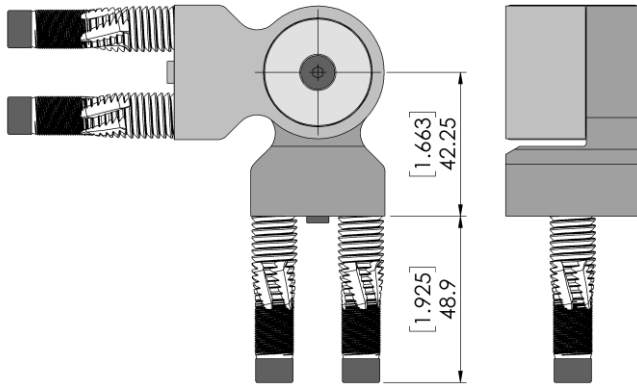
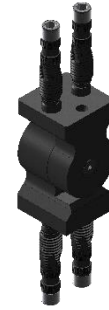
All pivot brackets are equipped with heavy duty ball bearings to ensure long-lasting, precise operation.



## 40MM PIVOT BRACKET END MOUNT KIT

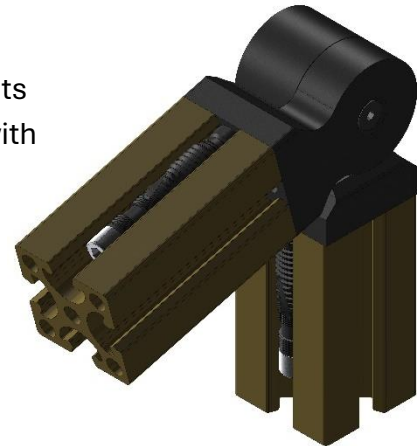
40MPI-0411-014-01

Material	6061-T6	
Finish	Type II, Class 2 Anodize, Black	
Parts Included in Kit	(1) 40mm Pivot Bracket, End Mount-Bearing Side [40MPI-0411-014-00] (1) 40mm Pivot Bracket, End Mount-Axle Side [40MPI-0411-015-00] (1) Bearing Assembly (4) 40-6 End Mount Threaded Insert [40CTI-0410-004-00] (4) M6x1.0x55mm 12.9 CDI SHCS [00HSW-3507-800-00]	
	<b>Metric</b>	<b>SAE</b>
Weight	0.44 kg [439 g]	0.97 lb [15.4 oz]



### Quick Tip:

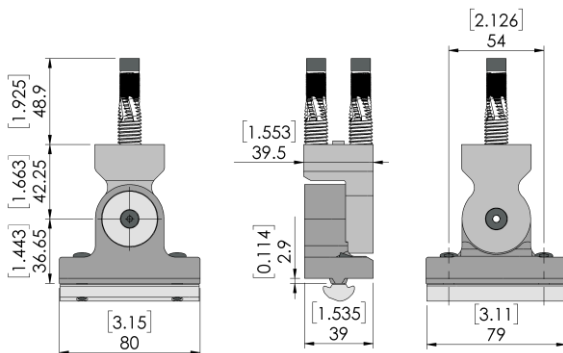
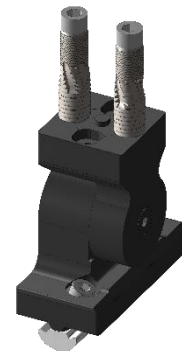
All pivot brackets are equipped with heavy duty ball bearings to ensure long-lasting, precise operation.



## 40MM PIVOT BRACKET PROFILE MOUNT TO END MOUNT KIT

40MPI-0411-016-01

Material	6061-T6	
Finish	Type II, Class 2 Anodize, Black	
Parts Included in Kit	(1) 40mm Pivot Bracket, Profile Mount-Bearing Side [40MPI-0411-016-02] (1) 40mm Pivot Bracket, End Mount-Axle Side [40MPI-0411-015-00] (1) Bearing Assembly (2) 40-6 End Mount Threaded Insert [40CTI-0410-004-00] (2) M6x1.0x55mm 12.9 CDI SHCS [00HSW-3507-800-00] (2) M6x1.0x20mm 12.9 Flanged SHCS [00HSW-3507-202-00] (1) M6x1.0 79mm 2-Hole Angle Nut [40HAN-3407-004-00]	
	<b>Metric</b>	<b>SAE</b>
Weight	0.52 kg [520 g]	1.15 lb [18.4 oz]

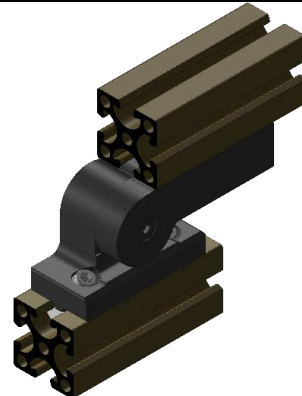
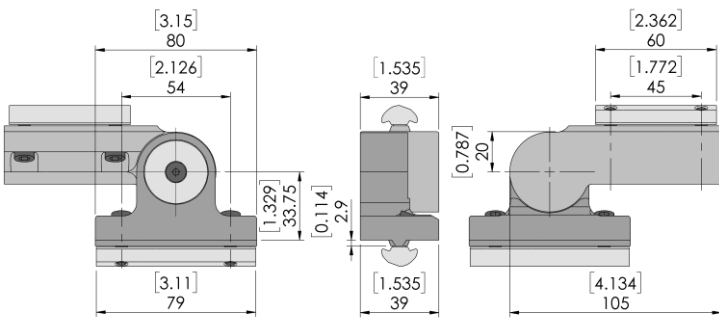
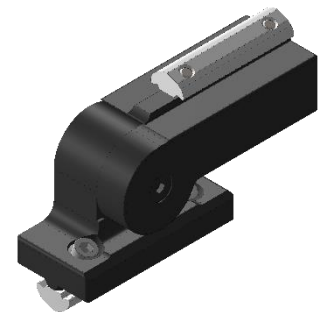


### Quick Tip:

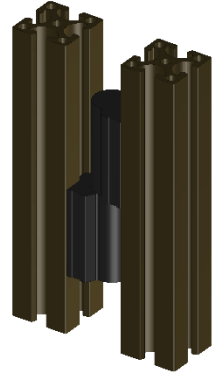
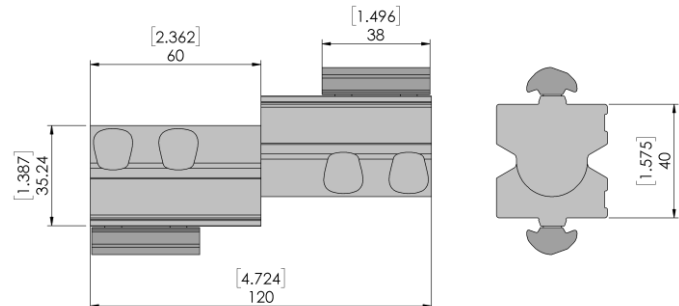
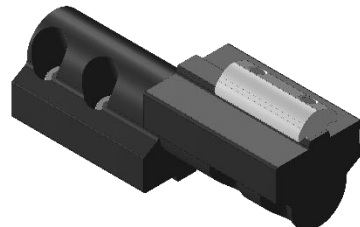
All pivot brackets are equipped with heavy duty ball bearings to ensure long-lasting, precise operation.



40MM PIVOT BRACKET PROFILE TO OFFSET PROFILE MOUNT KIT		40MPI-0411-016-03
Material	6061-T6	
Finish	Type II, Class 2 Anodize, Black	
Parts Included in Kit	(1) 40mm Pivot Bracket, Profile Mount-Bearing Side [40MPI-0411-016-02] (1) 40mm Pivot Bracket, Profile Mount-Axle Side [40MPI-0411-002-00] (1) Bearing Assembly (4) M6x1.0x20mm 12.9 Flanged SHCS [00HSW-3507-202-00] (2) M6x1.0 79mm 2-Hole Angle Nut [40HAN-3407-004-00]	
	<b>Metric</b>	<b>SAE</b>
Weight	0.60 kg [603 g]	1.33 lb [21.3 oz]



40MM RH INLINE PIVOT KIT		40MPI-0411-010-01
Material	6061-T6	
Finish	Type II, Class 2 Anodize, Black	
Parts Included in Kit	(1) 40mm RH Inline Pivot-Bushing Side [40MPI-0411-010-00] (1) 40mm RH Inline Pivot-Pin Side [40MPI-0411-012-00] (4) M6x1.0x20mm 12.9 Raw Threaded Flanged SHCS [00USW-3500-202-00] (2) M6x1.0 38mm 2-Hole Angle Nut [40HAN-3407-007-00]	
	<b>Metric</b>	<b>SAE</b>
Weight	0.4 kg [397 g]	0.88 lb [14 oz]

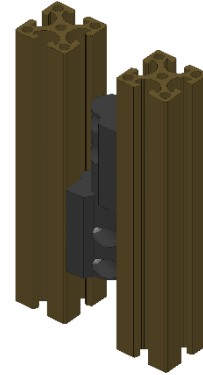
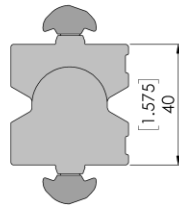
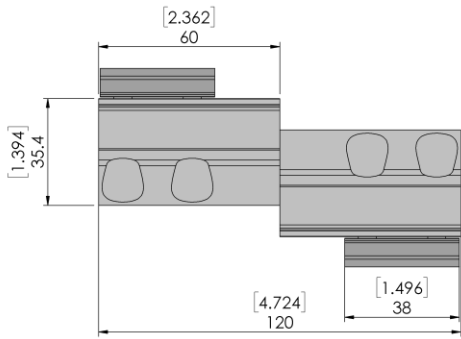
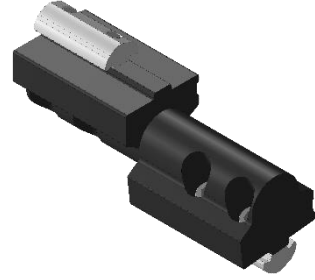


- SOLUTIONS
- PROFILES
- COMPONENTS
- MOTION
- DOORS & FLOORS
- ACCESSORIES
- HARDWARE

## 40MM LH INLINE PIVOT KIT

40MPI-0411-007-01

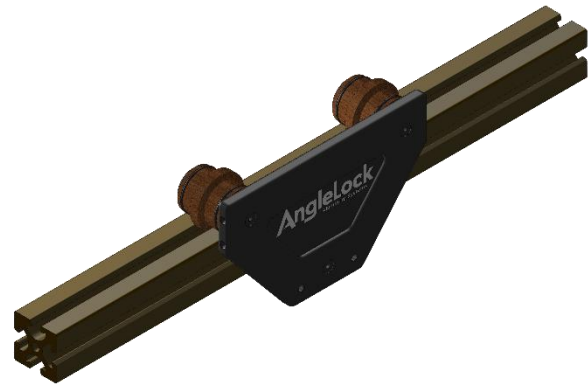
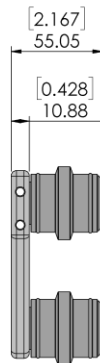
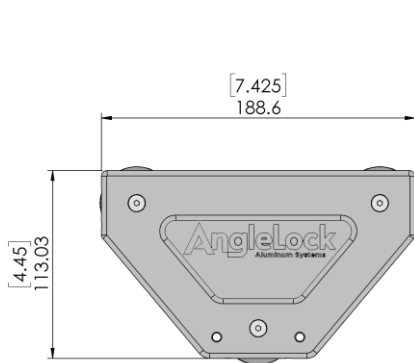
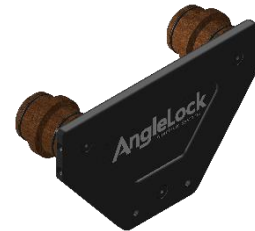
Material	6061-T6	
Finish	Type II, Class 2 Anodize, Black	
Parts Included in Kit	(1) 40mm LH Inline Pivot-Bushing Side [40MPI-0411-007-00] (1) 40mm LH Inline Pivot-Pin Side [40MPI-0411-009-00] (4) M6x1.0x20mm 12.9 Raw Threaded Flanged SHCS [00USW-3500-202-00] (2) M6x1.0 38mm 2-Hole Angle Nut [40HAN-3407-007-00]	
	<b>Metric</b>	<b>SAE</b>
Weight	0.4 kg [397 g]	0.88 lb [14 oz]



## NEW - 40X40 SD ROLLER CARRIAGE KIT, OUTSIDE MOUNT


40MLM-0411-001-01

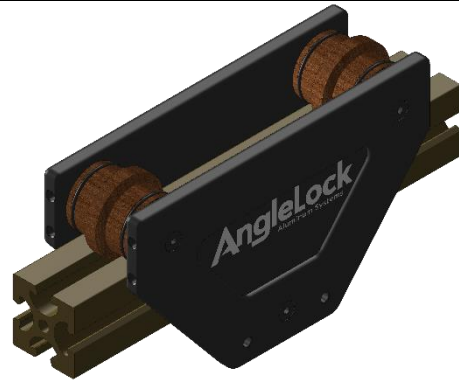
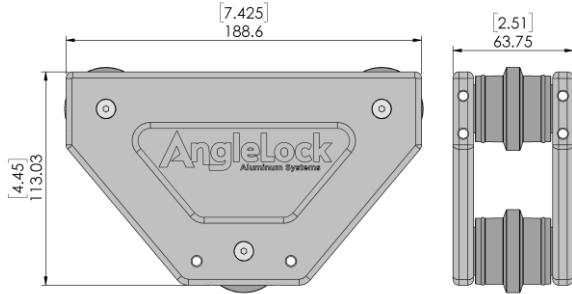
Material	6061-T6	
Finish	Type II, Class 2 Anodize, Black	
Parts Included in Kit	(1) 40mm Roller Carriage Plate, Outside Mount [40MLM-0511-001-00] (3) 40mm Standard Duty Roller Wheel [40MRW-1411-001-00]	
	<b>Metric</b>	<b>SAE</b>
Weight	0.84 kg [835 g]	1.8 lb [29.5 oz]






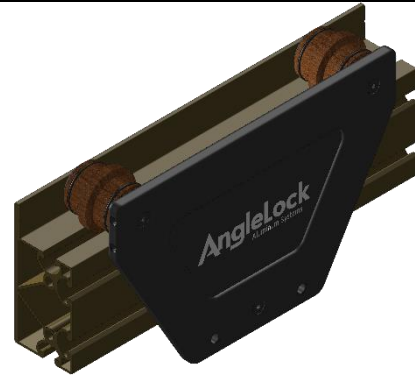
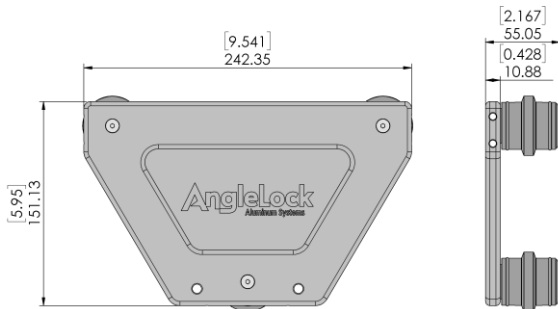
**NEW - 40X40 HD ROLLER CARRIAGE KIT, OUTSIDE MOUNT** **40MLM-0511-001-01**

Material	6061-T6		
Finish	Type II, Class 2 Anodize, Black		
Parts Included in Kit	(2) 40mm Roller Carriage Plate, Outside Mount [40MLM-0511-001-00] (3) 40mm Heavy Duty Roller Wheel [40MRW-1511-001-00]		
	<b>Metric</b>	<b>SAE</b>	
Weight	1.27 kg [1271 g]	2.8 lb [44.8 oz]	



**NEW - 40X80 SD ROLLER CARRIAGE KIT, OUTSIDE MOUNT** **40MLM-0421-002-01**


Material	6061-T6		
Finish	Type II, Class 2 Anodize, Black		
Parts Included in Kit	(1) 80mm Heavy Duty Roller Carriage Plate [40MLM-0521-001-00] (3) 40mm Standard Duty Roller Wheel [40MRW-1411-001-00]		
	<b>Metric</b>	<b>SAE</b>	
Weight	1.14 kg [1144 g]	2.5 lb [40.4 oz]	

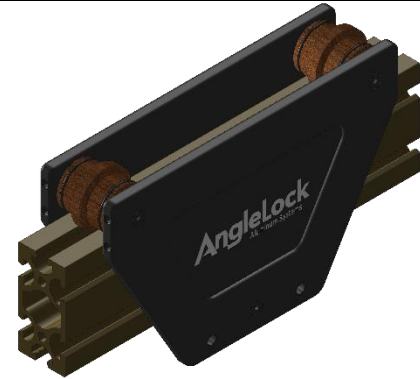
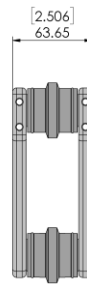
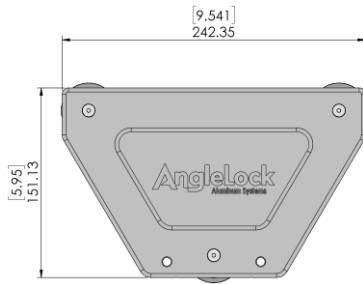


- SOLUTIONS
- PROFILES
- COMPONENTS
- MOTION
- DOORS & FLOORS
- ACCESSORIES
- HARDWARE

## NEW - 40X80 HD ROLLER CARRIAGE KIT, OUTSIDE MOUNT

40MLM-0521-001-01

Material	6061-T6		
Finish	Type II, Class 2 Anodize, Black		
Parts Included in Kit	(2) 80mm Heavy Duty Roller Carriage Plate [40MLM-0521-001-00] (3) 40mm Heavy Duty Roller Wheel [40MRW-1511-001-00]		
	<b>Metric</b>	<b>SAE</b>	
Weight	1.89 kg [1890 g]	4.17 lb [66.7 oz]	





## Doors and Floors

AngleLock has a vast offering of door and floor related components. These offerings allow for the creation of doors of all sizes, shapes, and styles as well as endless options for connection between your frame and the floor.

	Description	Part Number	Page	
Door Hardware and Hinges	40-6 117MM UNIVERSAL HANDLE KIT W/ BLACK CAPS	40DDH-0401-001-01	54	
	40-6 HD MAGNETIC LOCKING DOOR CATCH KIT	40DDC-3501-003-01	54	
	<b>NEW - 40-6 MAGNETIC DOOR CATCH KIT</b>	40DDC-3400-001-01	55	
	40-6 SNAP-IN DOOR SEAL	40D54-0011-01C	55	
	40MM LEFT-HAND INSIDE HINGE KIT	40DHI-0411-001-01	56	
	40MM RIGHT-HAND INSIDE HINGE KIT	40DHI-0411-003-01	56	
	40MM LEFT-HAND OUTSIDE HINGE KIT	40DHO-0411-001-01	57	
	40MM RIGHT-HAND OUTSIDE HINGE KIT	40DHO-0411-003-01	57	
	<b>NEW - 40-6 BI-FOLD DOOR GUIDE KIT</b>	40DDH-9410-001-01	58	
	<b>NEW - 40-6 BI-FOLD DOOR SUPPORT PIN KIT</b>	40DDH-9410-001-02	58	
	Panels, Retainers, and Tabletops	40-6 PANEL GASKET/SLOT COVER	40DPG-1411-001-00	59
40-6 BLACK SNAP-IN DOUBLE 5.6MM PANEL RETAINER		40D04-0011-030	59	
40-6 BLACK SNAP-IN 5.6MM PANEL RETAINER		40D04-0011-020	60	
40-6 BEVELED BLACK SNAP-IN 5.6MM PANEL RETAINER		40D04-0011-010	60	
<b>NEW - PRECISION PANEL RETAINER NUT KIT</b>		40DPR-9417-001-01	61	
40MM INSIDE PANEL RETAINER BRACKET KIT		40DPR-0411-001-0X	61	
40MM UNIVERSAL OUTSIDE PANEL RETAINER W/ DROP-IN T-STUD KIT		40DPR-0411-002-01	62	
40MM UNIVERSAL OUTSIDE PANEL RETAINER W/ M8 STRAIGHT NUT KIT		40DPR-0411-002-02	62	
5.6MM PVC-COATED 1" WIRE MESH PANEL-BLACK		00DWM-3401-001-00	63	
5.6MM PVC-COATED 1" WIRE MESH PANEL-YELLOW		00DWM-3403-001-00	63	
5.6MM CLEAR POLYCARBONATE PANEL		00DPA-1404-003-00	64	
6MM ABS TEXTURED PANEL		00DPA-1401-002-00	64	
(0.625") GRAY MELAMINE BIRCH PLYWOOD TABLETOP		00BBT-2407-001-0X	65	
Caster Plates and Floor Anchors		40X80MM M12 STEM/PLATE CASTER PROFILE MOUNT KIT	40DCP-0401-001-02	65
	40X80MM M12 STEM/HD PLATE CASTER PROFILE MOUNT KIT	40DCP-0401-009-02	66	
	70X70MM M12 STEM CASTER END MOUNTING KIT	40DCP-0401-005-01	66	
	70X70MM M12 STEM/PLATE CASTER MOUNT KIT	40DCP-0401-004-01	67	
	70X70MM M12 STEM/HD PLATE CASTER END MOUNT KIT	40DCP-0401-008-01	67	
	70X70MM HD FLOOR ANCHOR PLATE KIT	40DFA-0501-001-01	69	
	80X80MM M12 STEM/PLATE CASTER PROFILE MOUNT KIT	40DCP-0401-003-02	68	
	80X80 M12 STEM/HD PLATE CASTER PROFILE MOUNT KIT	40DCP-0401-010-02	68	
	40MM FLOOR ANCHOR KIT	40DFA-0401-001-01	69	
	<b>NEW - 80MM FLOOR ANCHOR KIT</b>	40DFA-0421-001-01	70	
	<b>NEW - 80MM PERPENDICULAR FLOOR ANCHOR KIT</b>	40DFA-0421-002-01	70	
	Leveling Feet and Casters	M8 STEM MOUNT LEVELING FOOT (750KG)	00DLF-3500-001-00	71
		<b>NEW - M8 STEM MOUNT LEVELING FOOT 40MM STUD (1400KG)</b>	00DLF-3500-003-00	71
M12 STEM MOUNT LEVELING FOOT (2000 KG)		00DLF-3600-001-00	72	
M12 STEM MOUNT LEVELING CASTER (250 KG)		00DCA-3500-004-00	72	
PLATE MOUNT SWIVEL LEVELING CASTER (250 KG)		00DCA-3500-003-00	73	
M8 STEM MOUNT Ø50MM CASTER W/TOTAL BRAKE (40 KG)		00DCA-3200-001-00	73	
M12 STEM MOUNT Ø75MM CASTER W/TOTAL BRAKE (70 KG)		00DCA-3300-001-00	74	
PLATE MOUNT Ø75MM FIXED CASTER (70 KG)		00DCA-3300-002-00	74	
<b>NEW - PLATE MOUNT Ø75MM SWIVEL W/TOTAL BRAKE (70 KG)</b>		00DCA-3300-003-00	75	
PLATE MOUNT Ø125MM SWIVEL CASTER W/TOTAL BRAKE (125 KG)		00DCA-3400-002-00	75	
PLATE MOUNT Ø125MM FIXED CASTER (125 KG)		00DCA-3400-001-00	76	
PLATE MOUNT Ø100MM SWIVEL CASTER W/TOTAL BRAKE (400 KG)		00DCA-3500-002-00	76	
PLATE MOUNT Ø100MM FIXED CASTER (400 KG)		00DCA-3500-001-00	77	

# Tops

AngleLock is able to use any of the following materials for tops and shelving:

- Aluminum
- Butcher Block
- Laminate
- Solid surface

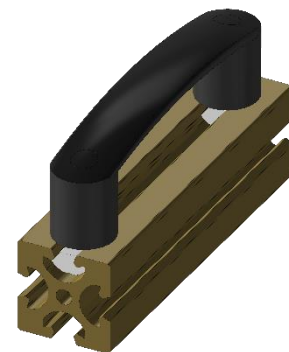
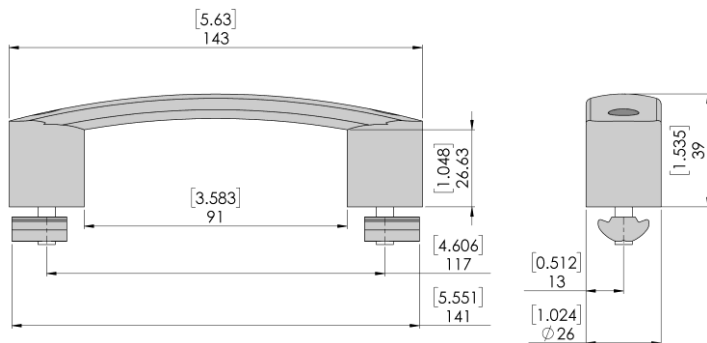
Custom materials can be used on a case-by-case basis. Please contact sales for more information about current top offering and options.



## 40-6 117MM UNIVERSAL HANDLE KIT W/ BLACK CAPS

40DDH-0401-001-01

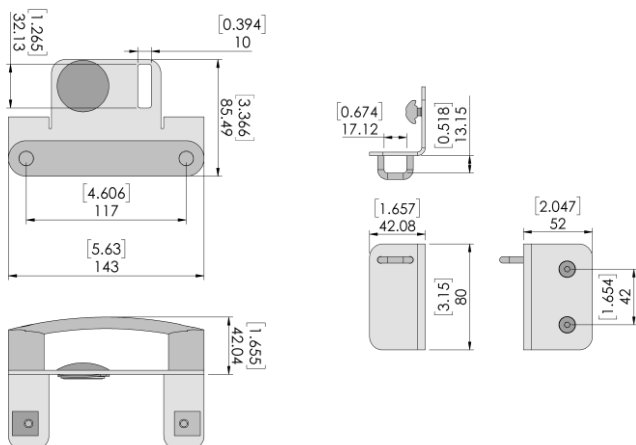
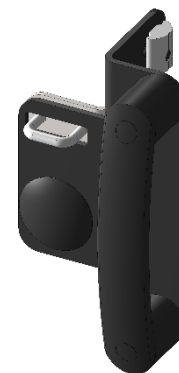
Material	Polypropylene	
Finish	Matte Black with Black Caps	
Parts Included in Kit	(1) 117mm Universal Handle-Black Caps [00DDH-0401-001-00] (1) 117mm Universal Handle-Black [00DDH-0401-002-00] (2) M6x1.0x16mm 10.9 Black Oxide SHCS [00HSW-3401-001-00] (2) M6 20mm 1-Hole Std. Offset Nut [40HSN-3407-001-00]	
	<b>Metric</b>	<b>SAE</b>
Weight	0.098 kg [98 g]	0.22 lb [3.5 oz]



## 40-6 HD MAGNETIC LOCKING DOOR CATCH KIT

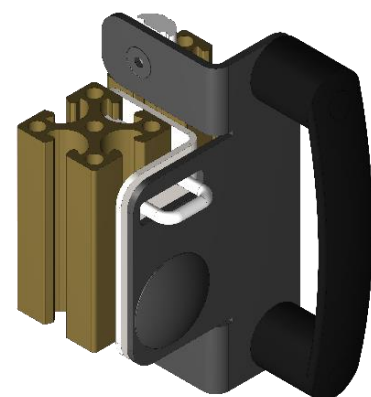
40DDC-3501-003-01

Material	11 Gauge 1018 Steel	
Finish	Black Epoxy E-Coat	
Parts Included in Kit	(1) 40-6 HD Black Door Catch Face Plate [40DDC-3501-001-00] (2) M6x1.0x14 Hex Drive Flat Head Screw [00HSW-3401-303-00] (2) M6x1.0 20mm 1-Hole Std Offset Nut [40HSN-3407-001-00] (2) M6x1.0x10mm SHCS [00HSW-3501-011-00] (1) Locking Door Catch Strike Plate [40DDC-3507-002-00] (2) M6x1.0 20mm Bright Zinc 1-Hole Std Offset Nut [40HSN-3407-001-00] (2) M6x1.0x14mm Hex Drive Flat Head Screw [00HSW-3401-303-00]	
	<b>Metric</b>	<b>SAE</b>
Weight	0.57 kg [571 g]	1.25 lb [20.1 oz]



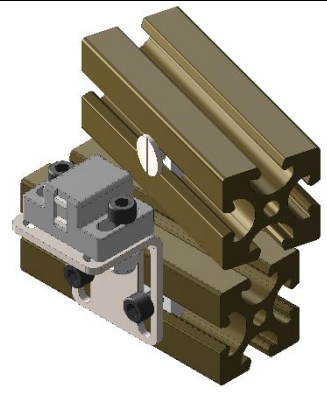
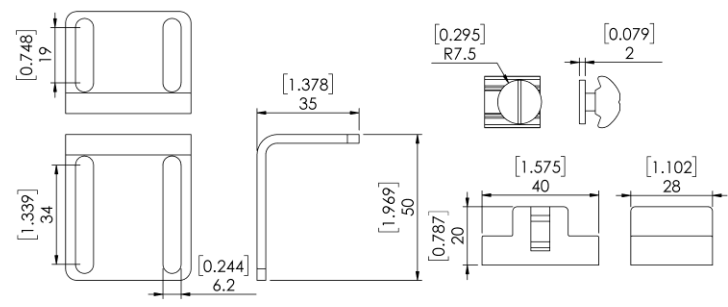
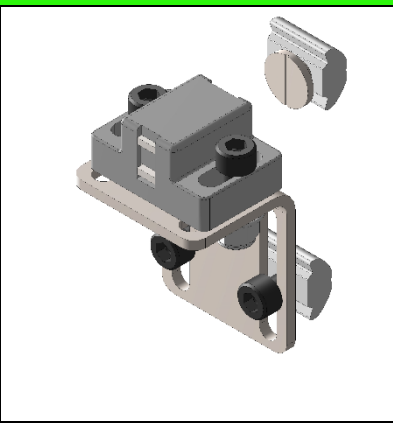
### Quick Tip:

**Note:** the distance between extrusions as shown closed should be 7mm



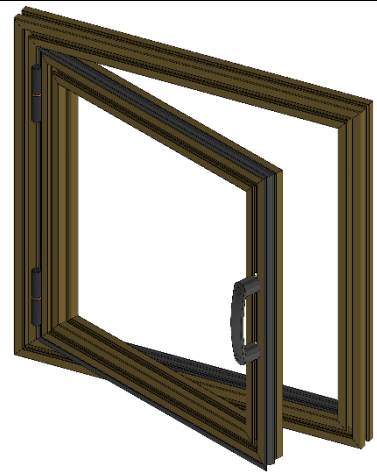
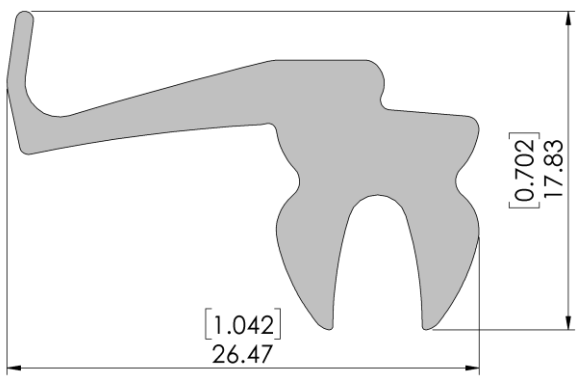
**NEW - 40-6 MAGNETIC DOOR CATCH KIT** **40DDC-3400-001-01**

Material	Multiple (Contact sales for info)	
Finish	Multiple (Contact sales for info)	
Parts Included in Kit	(1) Magnetic Door Catch [00DDC-3400-001-00] (1) Magnetic Door Catch Bracket [00DDC-3400-002-00] (1) M8x1.25 25mm Bright Zinc 1-Hole Std Offset Nut [40HSN-3507-001-00] (1) M8x1.25x12mm 10.9 Black Oxide Ultra Low SHCS [00HSW-3401-401-00] (2) M6x1.0 20mm Bright Zinc 1-Hole Std Offset Nut [40HSN-3407-001-00] (2) M6x1.0 10.9 Nylon-Insert Flange Locknut, Zinc Plated [00HNT-3407-300-00] (2) M6x1.0x22mm 12.9 Black Oxide SHCS [00HSW-3501-002-00] (2) M6x1.0x16mm 10.9 Black Oxide SHCS [00HSW-3401-001-00]	
	<b>Metric</b>	<b>SAE</b>
Weight	0.17 kg [171 g]	0.374 lb [5.997 oz]



**40-6 SNAP-IN DOOR SEAL** **40D54-0011-01C**

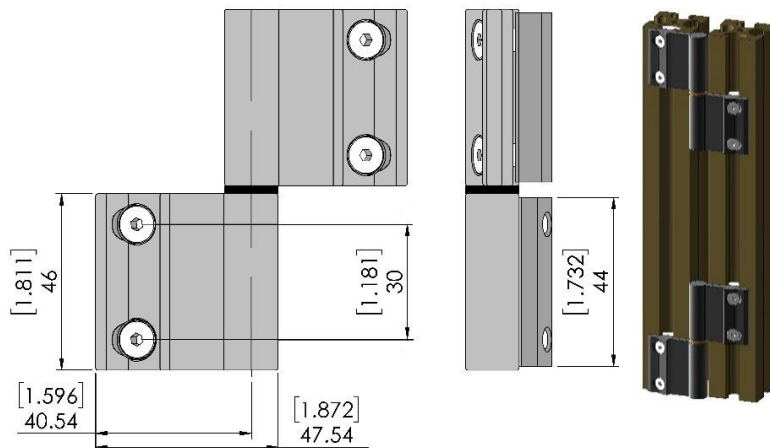
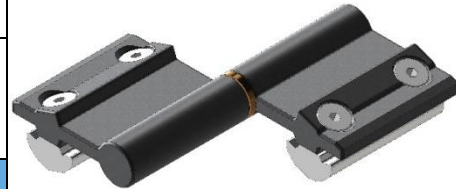
Material	Santoprene	
Finish	Matte Black	
Parts Included in Kit	(1) 40-6 Snap-In Door Seal (Cut Lengths) [40D54-0011-01C]	
	<b>Metric</b>	<b>SAE</b>
Weight Per Length	0.14 kg/m	0.09 lb/ft



## 40MM LEFT-HAND INSIDE HINGE KIT

40DHI-0411-001-01

Material	6061-T6	
Finish	Type II, Class 2 Anodize, Black	
Parts Included in Kit	(1) 40mm LH Inside Hinge-Bushing Side [40DHI-0411-001-00] (1) 40mm LH Inside Hinge-Pin Side [40DHI-0411-002-00] (2) M6 44mm 2-Hole Angle Nut [40HAN-3407-003-00] (4) M6x1.0x16mm 10.9 Ultra Low Head SHCS [00HSW-3401-400-00]	
	<b>Metric</b>	<b>SAE</b>
Weight	0.19 kg [186 g]	0.4 lb [6.5 oz]



### Quick Tip:

Pair left and right hinges for a captive mounting situation (left). Pair two of the same side hinge for a lift off situation (right).

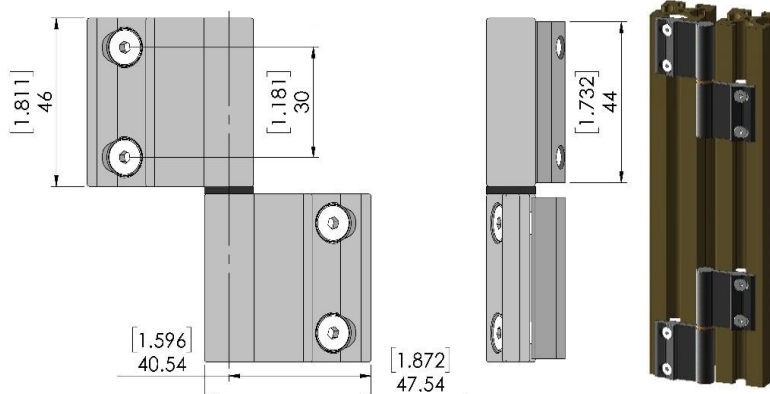
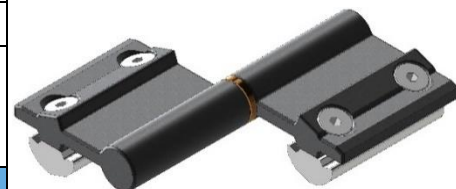
**Note:** the distance between extrusions as shown should be 5mm



## 40MM RIGHT-HAND INSIDE HINGE KIT

40DHI-0411-003-01

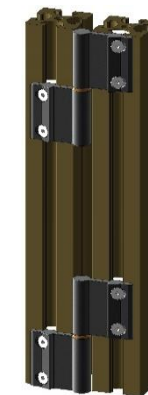
Material	6061-T6	
Finish	Type II, Class 2 Anodize, Black	
Parts Included in Kit	(1) 40mm RH Inside Hinge-Bushing Side [40DHI-0411-003-00] (1) 40mm RH Inside Hinge-Pin Side [40DHI-0411-004-00] (2) M6 44mm 2-Hole Angle Nut [40HAN-3407-003-00] (4) M6x1.0x16mm 10.9 Ultra Low Head SHCS [00HSW-3401-400-00]	
	<b>Metric</b>	<b>SAE</b>
Weight	0.19 kg [186 g]	0.4 lb [6.5 oz]



### Quick Tip:

Pair left and right hinges for a captive mounting situation (left). Pair two of the same side hinge for a lift off situation (right).

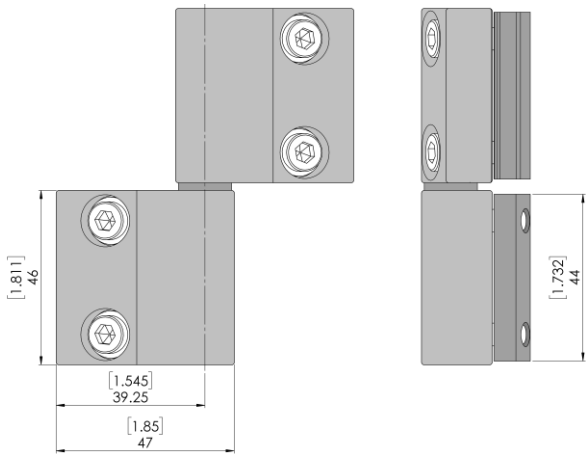
**Note:** the distance between extrusions as shown should be 5mm





**40MM LEFT-HAND OUTSIDE HINGE KIT** **40DHO-0411-001-01**

Material	6061-T6	
Finish	Type II, Class 2 Anodize, Black	
Parts Included in Kit	(1) 40mm LH Outside Hinge-Bushing Side [40DHO-0411-001-00] (1) 40mm LH Outside Hinge-Pin Side [40DHO-0411-002-00] (2) M6 44mm 2-Hole Angle Nut [40HAN-3407-003-00] (4) M6x1.0x20mm 12.9 Flanged SHCS [00HSW-3507-202-00]	
	<b>Metric</b>	<b>SAE</b>
Weight	0.27 kg [265 g]	0.59 lb [9.4 oz]



**Quick Tip:**

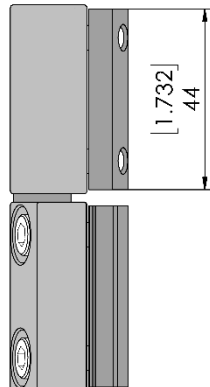
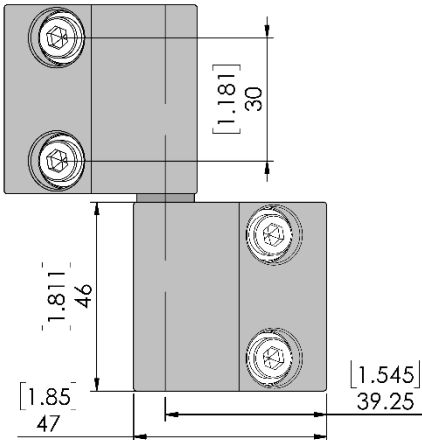
Pair left and right hinges for a captive mounting situation (left). Pair two of the same side hinge for a lift off situation (right).

**Note:** the distance between extrusions as shown should be 1.1mm



**40MM RIGHT-HAND OUTSIDE HINGE KIT** **40DHO-0411-003-01**

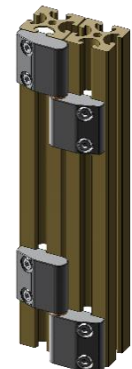
Material	6061-T6	
Finish	Type II, Class 2 Anodize, Black	
Parts Included in Kit	(1) 40mm RH Outside Hinge-Bushing Side [40DHO-0411-003-00] (1) 40mm RH Outside Hinge-Pin Side [40DHO-0411-004-00] (2) M6 44mm 2-Hole Angle Nut [40HAN-3407-003-00] (4) M6x1.0x20mm 12.9 Flanged SHCS [00HSW-3507-202-00]	
	<b>Metric</b>	<b>SAE</b>
Weight	0.27 kg [269 g]	0.59 lb [9.4 oz]



**Quick Tip:**

Pair left and right hinges for a captive mounting situation (left). Pair two of the same side hinge for a lift off situation (right).

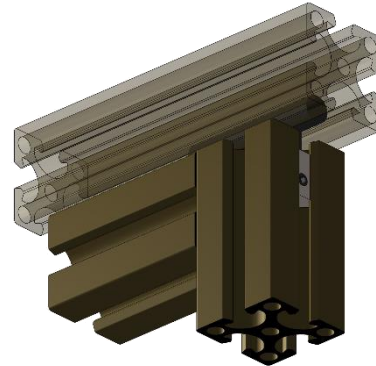
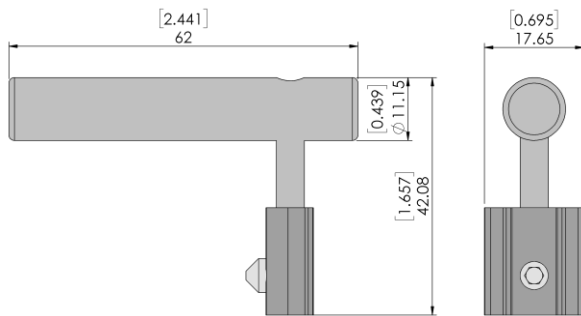
**Note:** the distance between extrusions as shown should be 1.1mm



## NEW - 40-6 BI-FOLD DOOR GUIDE KIT

40DDH-9410-001-01

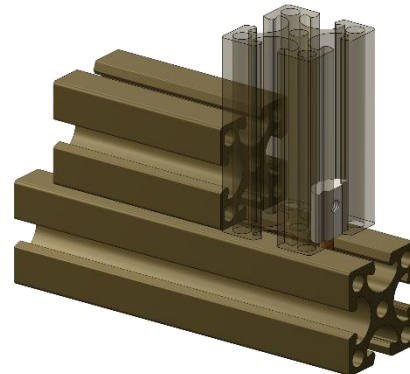
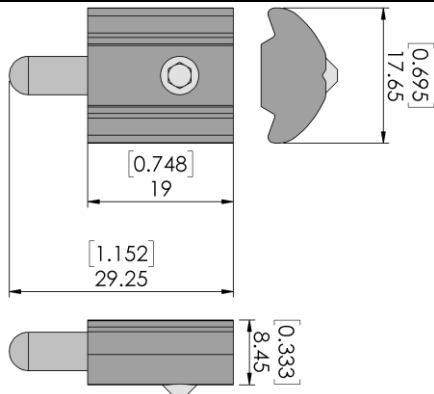
Material	6061-T6	
Finish	Type II, Class 2 Anodize, Black	
Parts Included in Kit	(1) 40-6 Bi-Fold Door Slot Guide [40DDH-1411-004-00] (1) Ø05mmx25mm Dowel Pin [00HAP-3400-005-00] (1) 40-6 Bi-Fold Door Pin Nut [40HSN-3407-003-00] (1) M6x1.0x12mm Set Screw [No Part Number]	
	<b>Metric</b>	<b>SAE</b>
Weight	0.03 kg [25 g]	0.06 lb [0.96 oz]



## NEW - 40-6 BI-FOLD DOOR SUPPORT PIN KIT

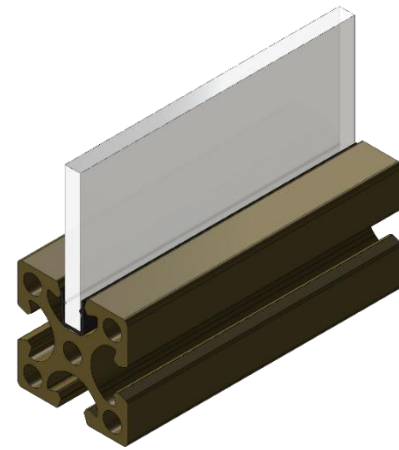
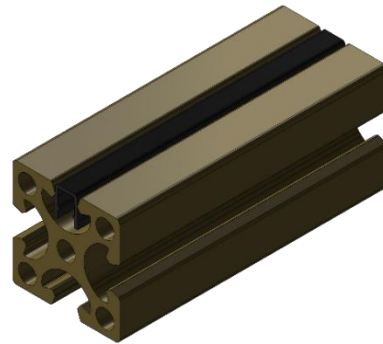
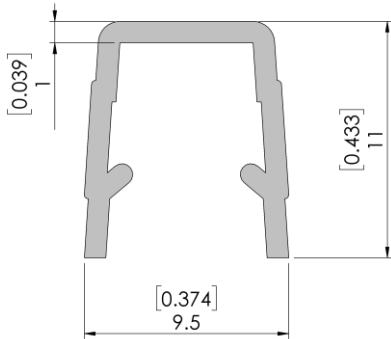
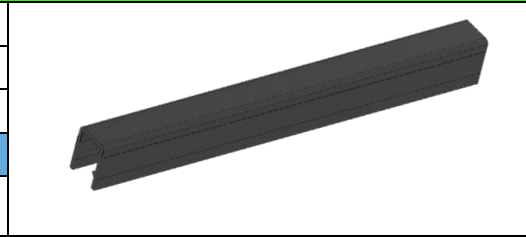
40DDH-9410-001-02

Material	6061-T6	
Finish	Type II, Class 2 Anodize, Black	
Parts Included in Kit	(1) 40-6 Bi-Fold Door Pin Nut [40HSN-3407-003-00] (1) M6x1.0x10mm Black Oxide Cone Point Set Screw [00HSW-3401-601-00] (1) Bi-Fold Door Glide Pin [40DDH-1411-001-00]	
	<b>Metric</b>	<b>SAE</b>
Weight	0.02 kg [16 g]	0.04 lb [0.6 oz]



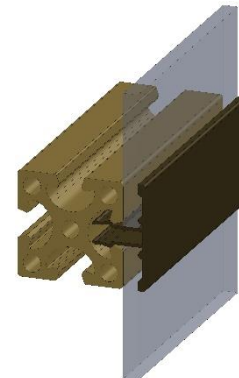
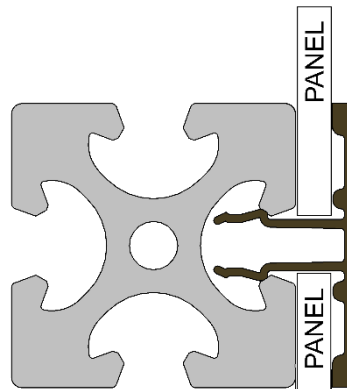
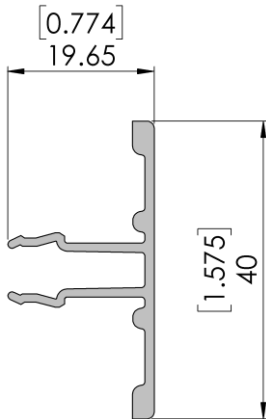
**40-6 PANEL GASKET/SLOT COVER** **40DPG-1411-001-00**

Material	Polypropylene	
Finish	Matte Black	
Parts Included in Kit	(1) 40-6 Panel Gasket/Slot Cover-2000mm [40DPG-1411-001-00]	
	<b>Metric</b>	<b>SAE</b>
Weight	0.05 kg [55 g]	0.12 lb [1.9 oz]



**40-6 BLACK SNAP-IN DOUBLE 5.6MM PANEL RETAINER** **40D04-0011-030**

Material	6005-T5	
Finish	Type II, Architectural Class I Anodize	
Available Color(s)	Black	
	<b>Metric</b>	<b>SAE</b>
Weight Per Length	0.36 kg/m	0.23 lb/ft
Available 40D04-0011-030 Length(s): 40D04-0011-03C	3683 mm 25 - 3683mm	145 in 1 - 145 in

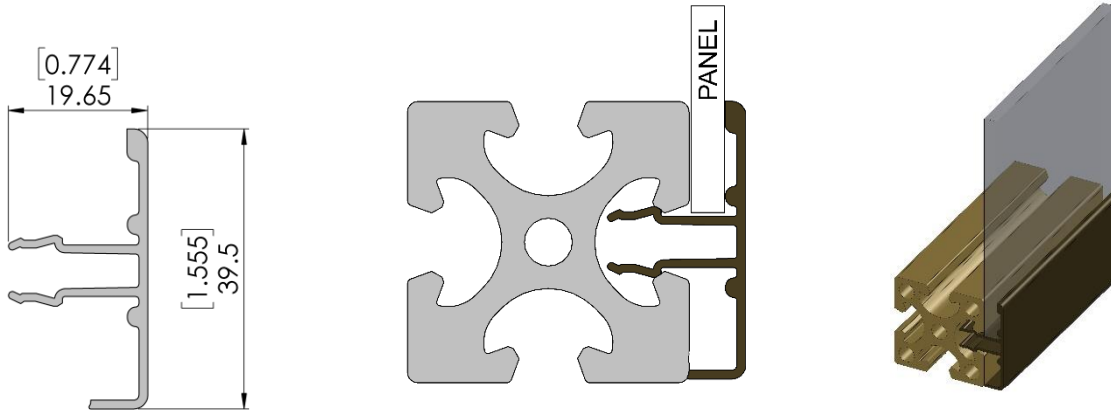


- SOLUTIONS
- PROFILES
- COMPONENTS
- MOTION
- DOORS & FLOORS
- ACCESSORIES
- HARDWARE

## 40-6 BLACK SNAP-IN 5.6MM PANEL RETAINER

40D04-0011-020

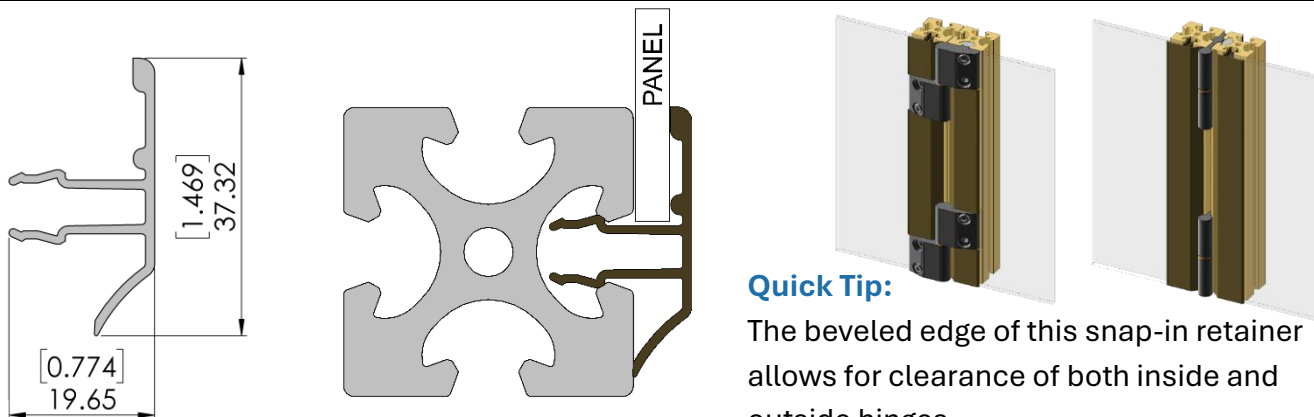
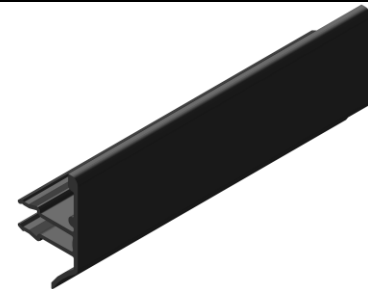
Material	6005-T5	
Finish	Type II, Architectural Class I Anodize	
Available Color(s)	Black	
	<b>Metric</b>	<b>SAE</b>
Weight Per Length	0.349 kg/m	0.235 lb/ft
Available Length(s): 40D04-0011-020 40D04-0011-02C	3683 mm 25 – 3683mm	145 in 1 – 145 in



## 40-6 BEVELED BLACK SNAP-IN 5.6MM PANEL RETAINER

40D04-0011-010

Material	6005-T5	
Finish	Type II, Architectural Class I Anodize	
Available Color(s)	Black	
	<b>Metric</b>	<b>SAE</b>
Weight Per Length	0.300 kg/m	0.205 lb/ft
Available Length(s): 40D04-0011-010 40D04-0011-01C	3683 mm 25 – 3683mm	145 in 1 – 145 in

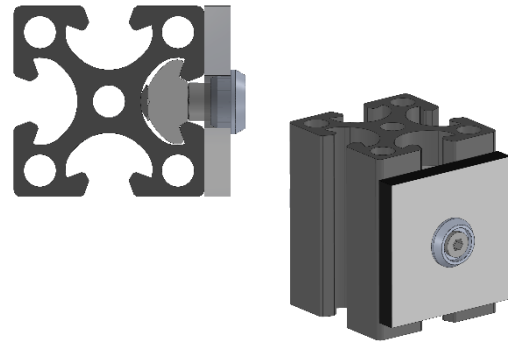
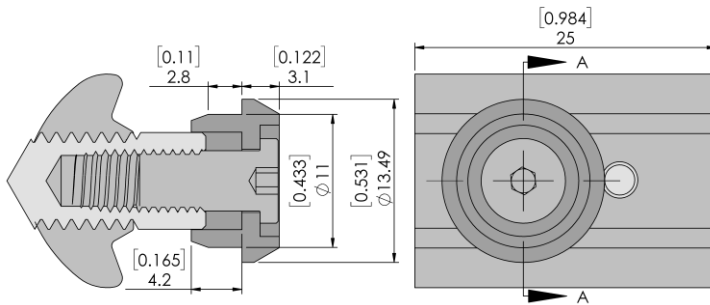
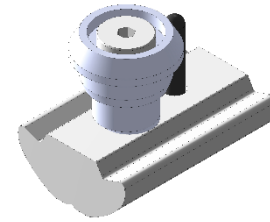


**Quick Tip:**

The beveled edge of this snap-in retainer allows for clearance of both inside and outside hinges.

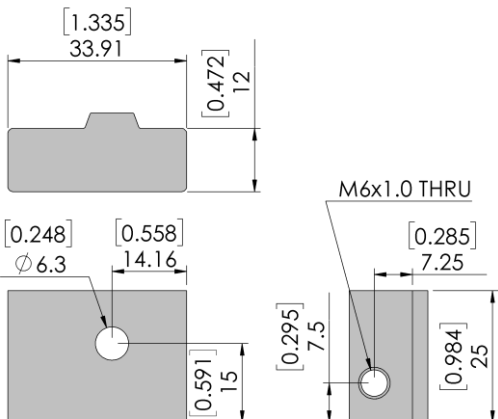
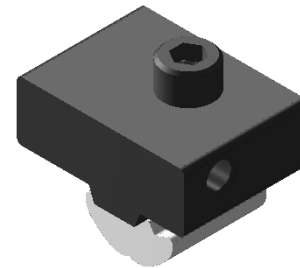
**NEW – PRECISION PANEL RETAINER NUT KIT 40DPR-9417-001-01**

Material	6061-T6	
Finish	Type II, Architectural Class I Anodize	
Parts Included in Kit	(1) 25MM Standard Nut, 1xM8x1.25 [00HNT-3407-002-00] (1) M5 Threaded Bushing [00HSW-0407-600-00] (1) Panel Retaining Bushing [00HBB-0407-001-00] (1) M5x0.8x10mm 10.9 Ultra Low Head SHCS [00HSW-3407-400-00]	
	<b>Metric</b>	<b>SAE</b>
Weight	0.02 kg [23 g]	0.05 lb [0.81 oz]



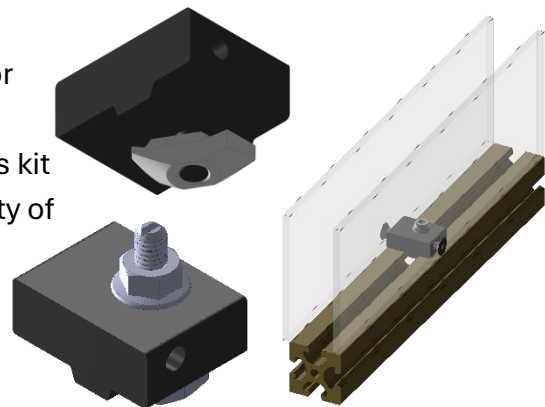
**40MM INSIDE PANEL RETAINER BRACKET KIT 40DPR-0411-001-0X**

Material	6061-T6	
Finish	Type II, Architectural Class I Anodize	
Available Configurations	Panel Retainer Bracket w/M6 Straight Nut [40DPR-0411-001-02] Panel Retainer Bracket w/M6 Drop-In Stud [40DPR-0411-001-01] Panel Retainer Bracket w/M6 Drop-In Nut [40DPR-0411-001-03]	
	<b>Metric</b>	<b>SAE</b>
Weight	≈0.05 kg [49 g]	≈0.11 lb [1.7 oz]



**Quick Tip:**

Utilize this bracket for either flush or inset mounted panels. This kit is available in a variety of configurations. See table for available options.

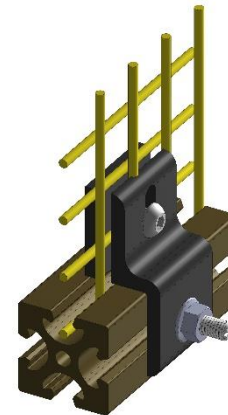
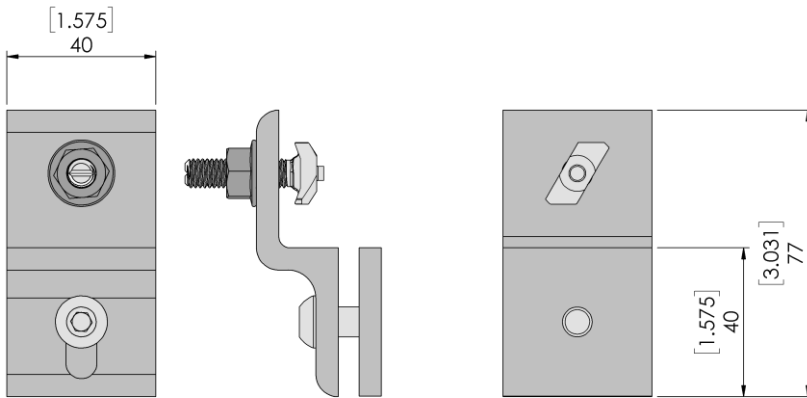
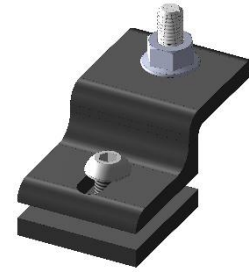


- SOLUTIONS
- PROFILES
- COMPONENTS
- MOTION
- DOORS & FLOORS
- ACCESSORIES
- HARDWARE

## 40MM UNIVERSAL OUTSIDE PANEL RETAINER W/ DROP-IN T-STUD KIT

40DPR-0411-002-01

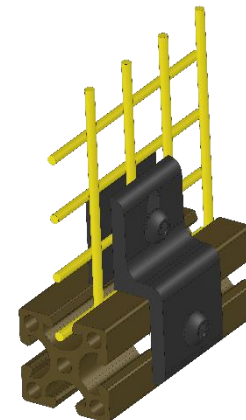
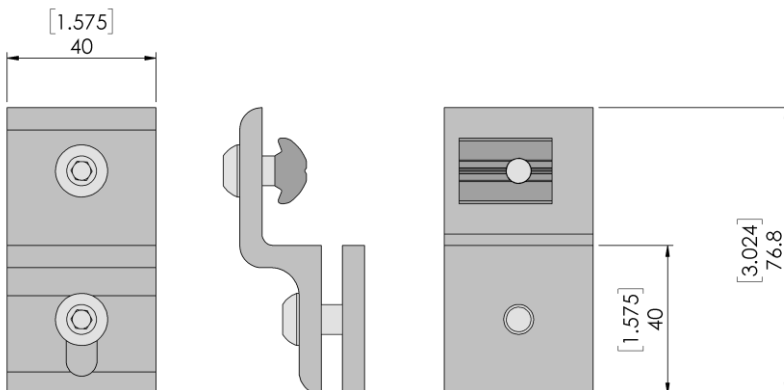
Material	6061-T6	
Finish	Type II, Architectural Class I Anodize	
Parts Included in Kit	(1) 40mm Universal Panel Retainer [40DPR-0411-002-00] (1) M8 10.9 Flanged Nut [00HNT-3407-201-00] (1) M8x1.25x25mm Drop-In T-Stud [40HDI-3507-001-00] (1) M8x1.25x16mm 12.9 BHCS [00HSW-3401-502-00]	
	<b>Metric</b>	<b>SAE</b>
Weight Per Length	0.11 kg [113 g]	0.25 lb [4 oz]



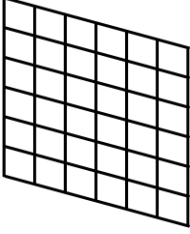
## 40MM UNIVERSAL OUTSIDE PANEL RETAINER W/ M8 STRAIGHT NUT KIT

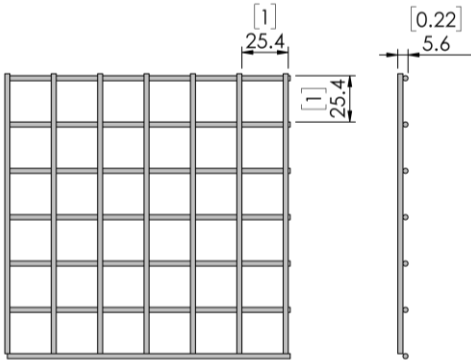
40DPR-0411-002-02

Material	6061-T6	
Finish	Type II, Architectural Class I Anodize	
Parts Included in Kit	(1) 40mm Universal Panel Retainer [40DPR-0411-002-00] (1) M8x1.25 25mm 1-Hole Std. Offset Nut [40HSN-3507-001-00] (2) M8x16mm Button SHCS [00HSW-3401-502-00]	
	<b>Metric</b>	<b>SAE</b>
Weight Per Length	0.12 kg [117 g]	0.26 lb [4.2 oz]



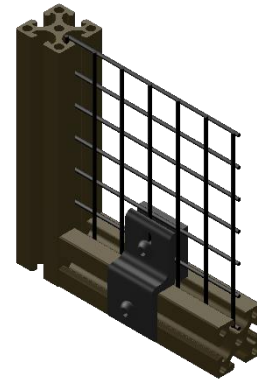
**5.6MM PVC-COATED 1" WIRE MESH PANEL-BLACK** **00DWM-3401-001-00**

Material	PVC-coated Steel		
Available Color(s)	Black		
	<b>Metric</b>	<b>SAE</b>	
Full Sheet Weight Weight Per Length	14.08 kg 4.736 kg/m <sup>2</sup>	31.04 lb 0.97 lb/ft <sup>2</sup>	
Available Size(s): 00DWM-3401-001-00 00DWM-3401-001-0C	1219 x 2438 mm 25-1219mm x 25-2438mm	48" x 96" 1"-48" x 1"-96"	

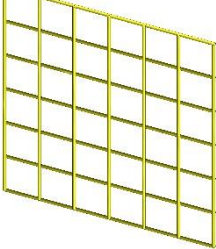


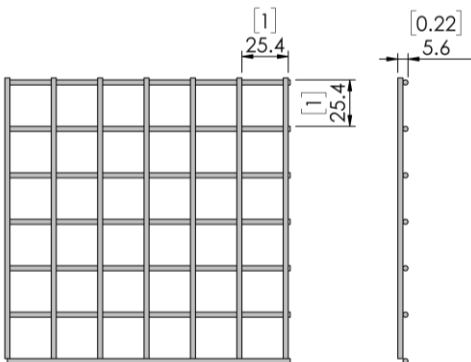
**Quick Tip:**

The panel should be inserted 10mm into the extrusion channel. Make sure to account for this on all sides when designing.



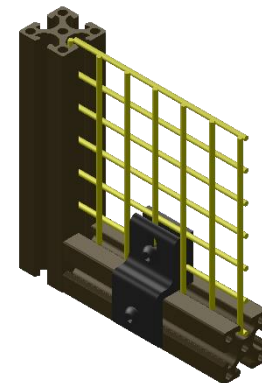
**5.6MM PVC-COATED 1" WIRE MESH PANEL-YELLOW** **00DWM-3403-001-00**

Material	PVC-coated Steel		
Available Color(s)	Yellow		
	<b>Metric</b>	<b>SAE</b>	
Full Sheet Weight Weight Per Length	14.08 kg 4.736 kg/m <sup>2</sup>	31.04 lb 0.97 lb/ft <sup>2</sup>	
Available Size(s): 00DWM-3403-001-00 00DWM-3403-001-0C	1219 x 2438 mm 25-1219mm x 25-2438mm	48" x 96" 1"-48" x 1"-96"	



**Quick Tip:**

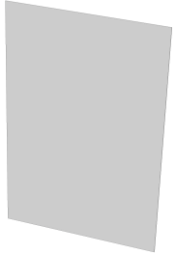
The panel should be inserted 10mm into the extrusion channel. Make sure to account for this on all sides when designing.

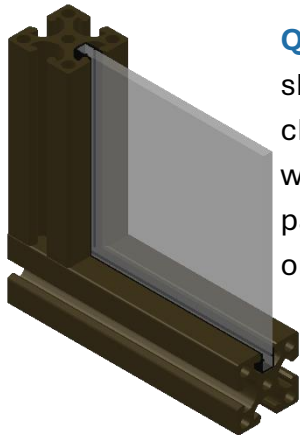


- SOLUTIONS
- PROFILES
- COMPONENTS
- MOTION
- DOORS & FLOORS
- ACCESSORIES
- HARDWARE

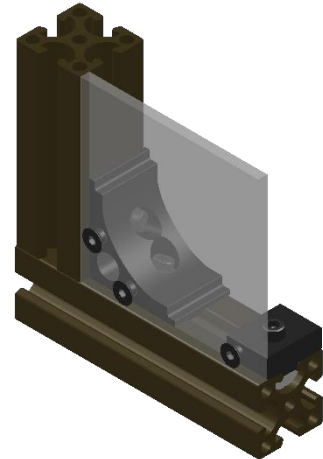
## 5.6MM CLEAR POLYCARBONATE PANEL

00DPA-1404-003-00

Material	Polycarbonate		
Available Color(s)	Clear		
	<b>Metric</b>	<b>SAE</b>	
Full Sheet Weight Weight Per Area	19.77 kg 6.65 kg/m <sup>2</sup>	43.58 lb 1.36 lb/ft <sup>2</sup>	
Available Size(s): 00DPA-1404-003-00 00DPA-1404-003-0C	1219 x 2438 mm 25-1219mm x 25-2438mm	48" x 96" 1"-48" x 1"-96"	




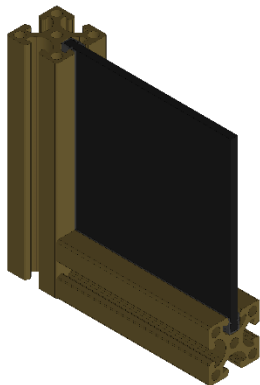
**Quick Tip:** If utilizing the channels, the panel should be inserted 10mm into the extrusion channel. Make sure to account for this on all sides when designing. Can also use the corner bracket panel retainer shown in the components section on page 23 or use the panel gasket on page 59.



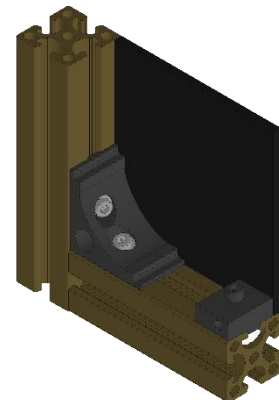
## 6MM ABS TEXTURED PANEL – BLACK

00DPA-1401-002-00

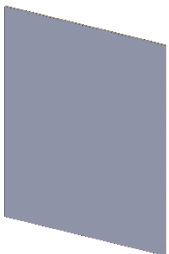
Material	Acrylonitrile Butadiene Styrene		
Available Color(s)	Black		
	<b>Metric</b>	<b>SAE</b>	
Full Sheet Weight Weight Per Area	18.19 kg 6.12 kg/m <sup>2</sup>	40.11 lb 1.25 lb/ft <sup>2</sup>	
Available Size(s): 00DPA-1401-002-00 00DPA-1401-002-0C	1219 x 2438 mm 25-1219mm x 25-2438mm	48" x 96" 1"-48" x 1"-96"	



**Quick Tip:** If utilizing the channels, the panel should be inserted 10mm into the extrusion channel. Make sure to account for this on all sides when designing. Can also use the corner bracket panel retainer shown in the components section on page 23 or use the panel gasket on page 59.



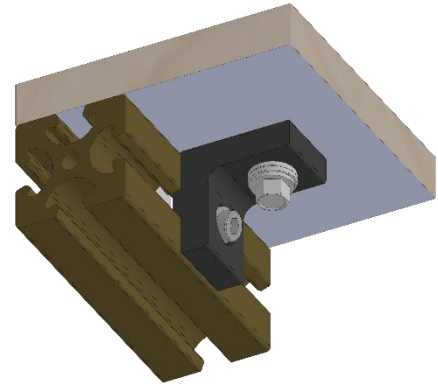


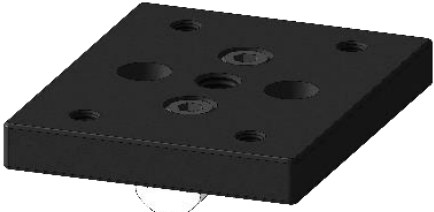
<b>(0.625") GRAY MELAMINE BIRCH PLYWOOD TABLETOP</b>			<b>00BBT-2407-001-0X</b>
Material	Gray Melamine Birch Plywood		
Available Color(s)	Gray		
	<b>Metric</b>	<b>SAE</b>	
Full Sheet Weight Weight Per Area	32.6 kg 11.0 kg/m <sup>2</sup>	71.8 lb 2.24 lb/ft <sup>2</sup>	
Available Size(s): 00BBT-2407-001-00 00BBT-2407-001-0C	1219 x 2438 mm 25-1219mm x 25-2438mm	48" x 96" 1"-48" x 1"-96"	

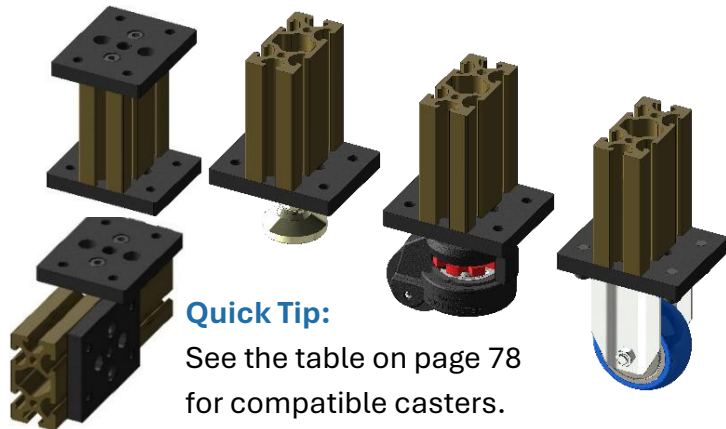
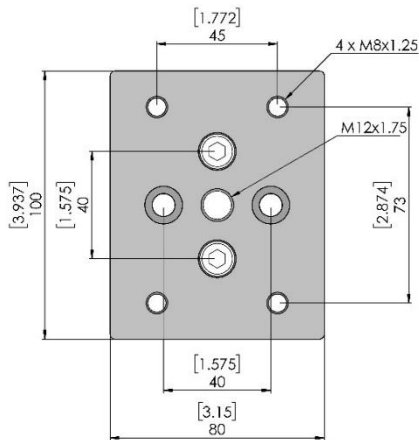
**Quick Tip:** Use the small perpendicular bracket shown in page 23 to attach tabletops to assemblies.

**NOTE:** The Gray Melamine tabletop is being discontinued. We will continue to utilize this while supplies last. Contact sales for availability.

Please review our other options for tops on page 53.



<b>40X80MM M12 STEM/PLATE CASTER PROFILE MOUNT KIT</b>			<b>40DCP-0401-001-02</b>
Material	6061-T6		
Finish	Type II, Class 2 Anodize, Black		
Parts Included in Kit	(1) 40x80mm M12 Stem/Plate Caster Mount [40DCP-0401-001-00] (2) M8x1.25x16mm 10.9 SHCS [00HSW-3401-002-00] (2) M8 25mm 1-Hole Std. Offset Nut [40HSN-3507-001-00]		
	<b>Metric</b>	<b>SAE</b>	
Weight	0.30 kg [306 g]	0.67 lb [10.8 oz]	

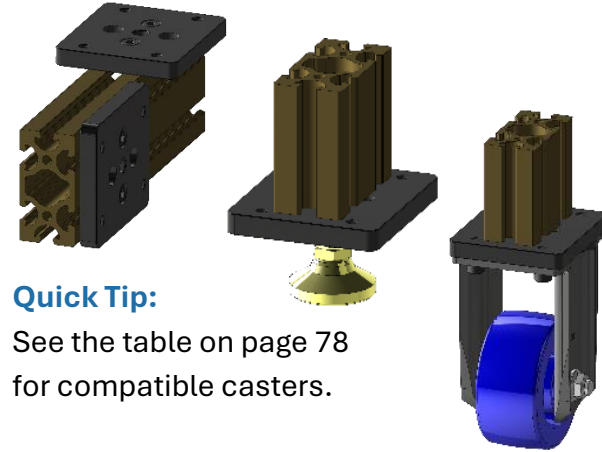
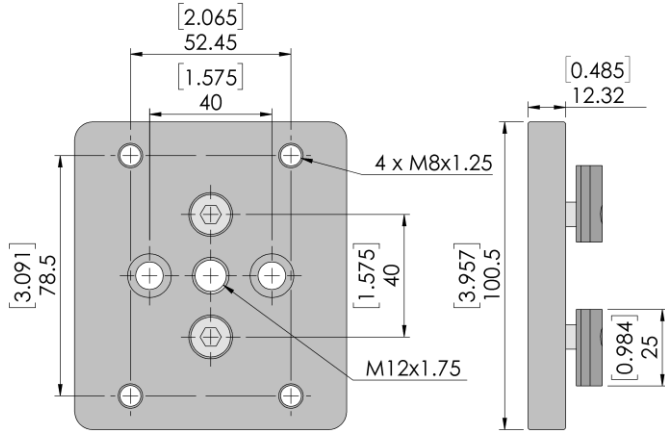
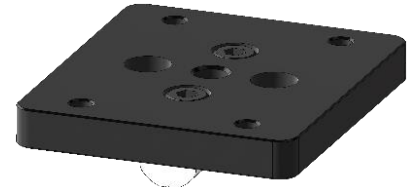


**Quick Tip:** See the table on page 78 for compatible casters.

## 40X80MM M12 STEM/HD PLATE CASTER PROFILE MOUNT KIT

40DCP-0401-009-02

Material	6061-T6	
Finish	Type II, Class 2 Anodize, Black	
Parts Included in Kit	(1) 40x80mm M12 Stem/HD Plate Caster Mount [40DCP-0401-009-00] (2) M8x1.25x16mm 10.9 SHCS [00HSW-3401-002-00] (2) M8 25mm 1-Hole Std. Offset Nut [40HSN-3507-001-00]	
	<b>Metric</b>	<b>SAE</b>
Weight	0.34 kg [336 g]	0.74 lb [11.9 oz]

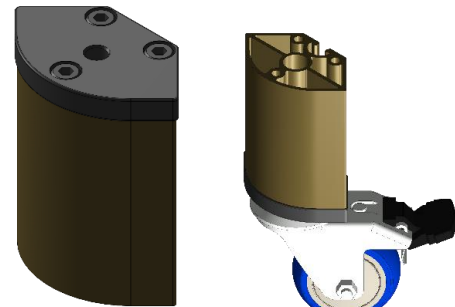
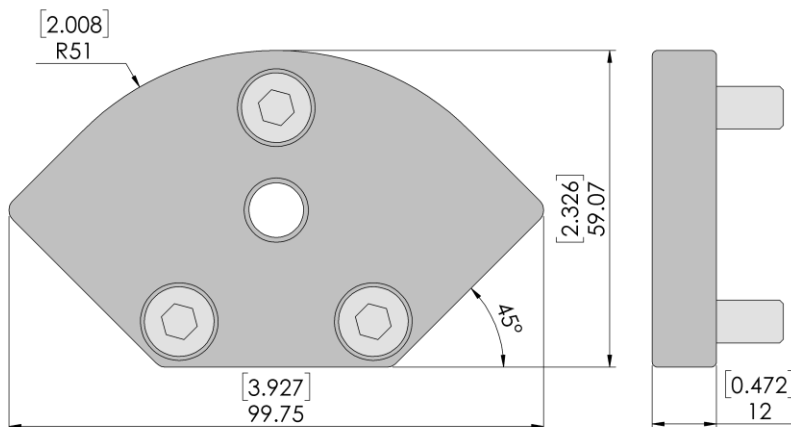


**Quick Tip:**  
See the table on page 78 for compatible casters.

## 70X70MM M12 STEM CASTER END MOUNTING KIT

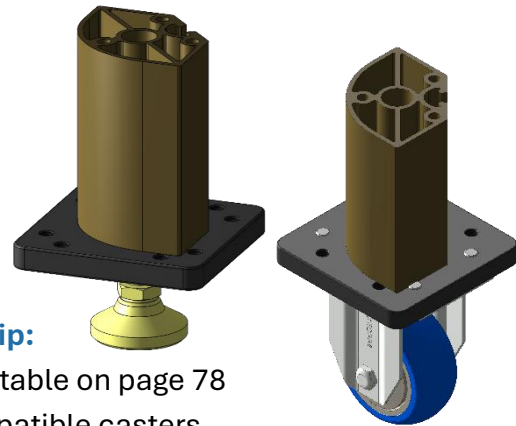
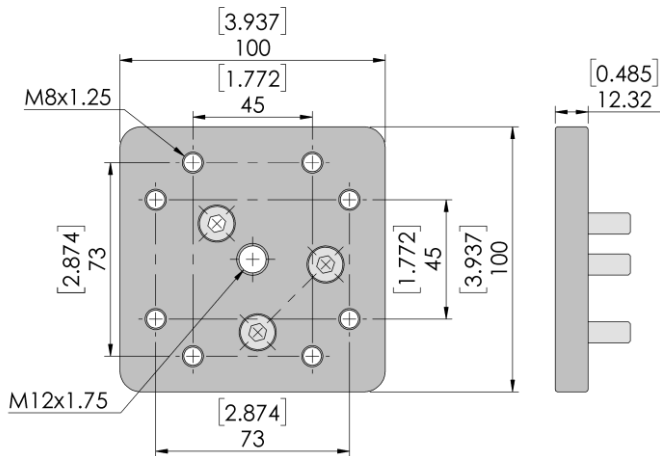
40DCP-0401-005-01

Material	6061-T6	
Finish	Type II, Class 2 Anodize, Black	
Parts Included in Kit	(1) 70x70mm M12 Stem Caster Mount [40DCP-0401-005-00] (3) M8x1.25x16mm 10.9 Black Oxide SHCS [00HSW-3401-002-00]	
	<b>Metric</b>	<b>SAE</b>
Weight	0.16 kg [158 g]	0.35 lb [5.6 oz]



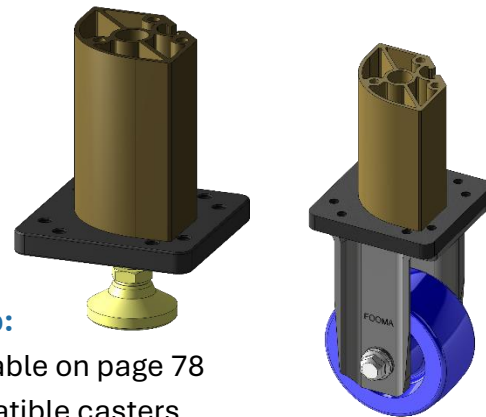
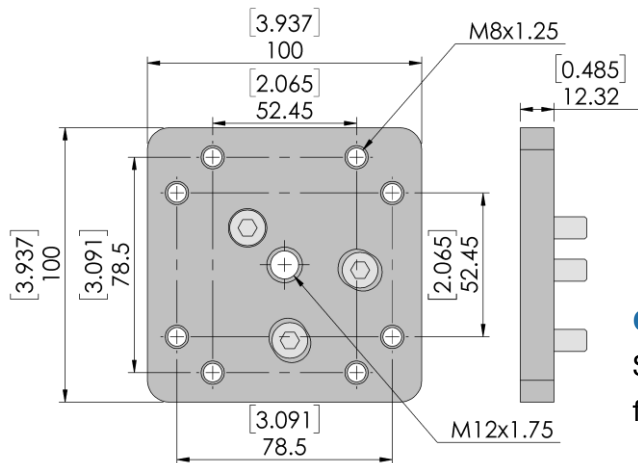
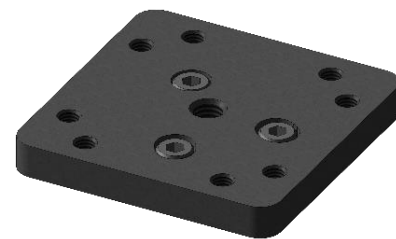
**Quick Tip:**  
See the table on page 78 for compatible casters.

70X70MM M12 STEM/PLATE CASTER MOUNT KIT		40DCP-0401-004-01
Material	6061-T6	
Finish	Type II, Class 2 Anodize, Black	
Parts Included in Kit	(1) 70x70mm M12 Caster Mount [40DCP-0401-004-00] (3) M8x1.25x16mm 10.9 Black Oxide SHCS [00HSW-3401-002-00]	
	<b>Metric</b>	<b>SAE</b>
Weight	0.34 kg [345 g]	0.76 lb [12.2 oz]



**Quick Tip:**  
See the table on page 78 for compatible casters.

70X70MM M12 STEM/HD PLATE CASTER END MOUNT KIT		40DCP-0401-008-01
Material	6061-T6	
Finish	Type II, Class 2 Anodize, Black	
Parts Included in Kit	(1) 70x70mm M12 HD Caster Mount [40DCP-0401-008-00] (3) M8x1.25x16mm 10.9 Black Oxide SHCS [00HSW-3401-002-00]	
	<b>Metric</b>	<b>SAE</b>
Weight	0.34 kg [345 g]	0.76 lb [12.2 oz]



**Quick Tip:**  
See the table on page 78 for compatible casters.

SOLUTIONS

PROFILES

COMPONENTS

MOTION

DOORS & FLOORS

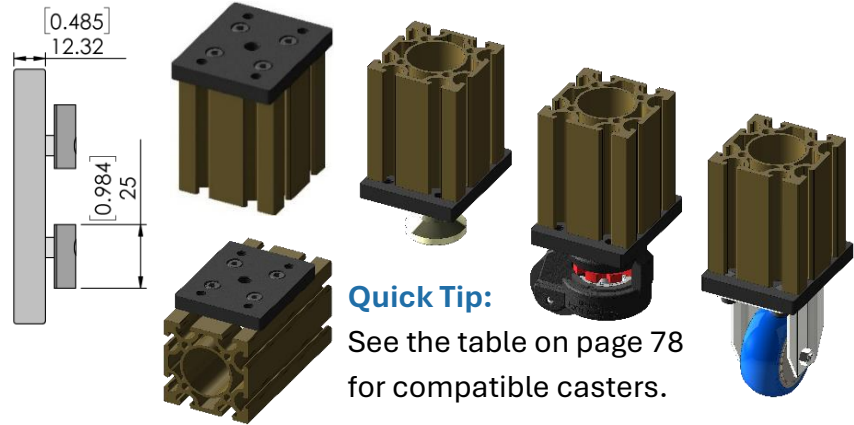
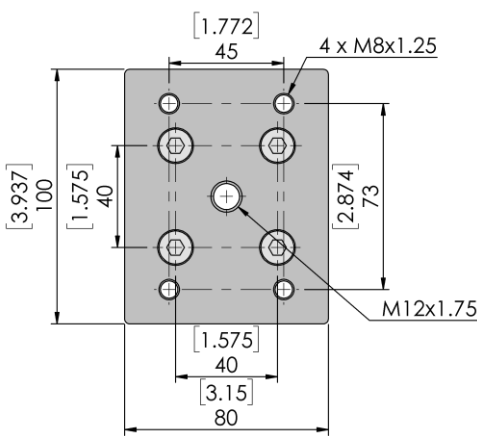
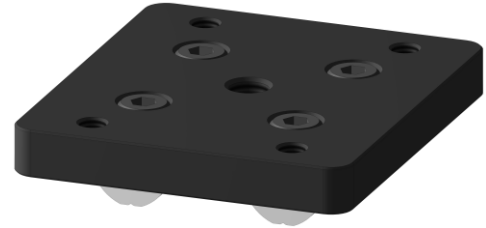
ACCESSORIES

HARDWARE

## 80X80MM M12 STEM/PLATE CASTER PROFILE MOUNT KIT

40DCP-0401-003-02

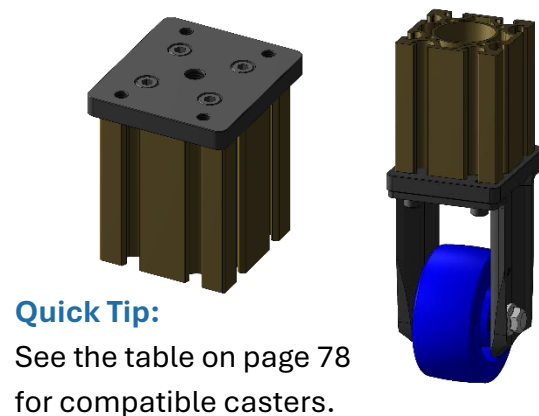
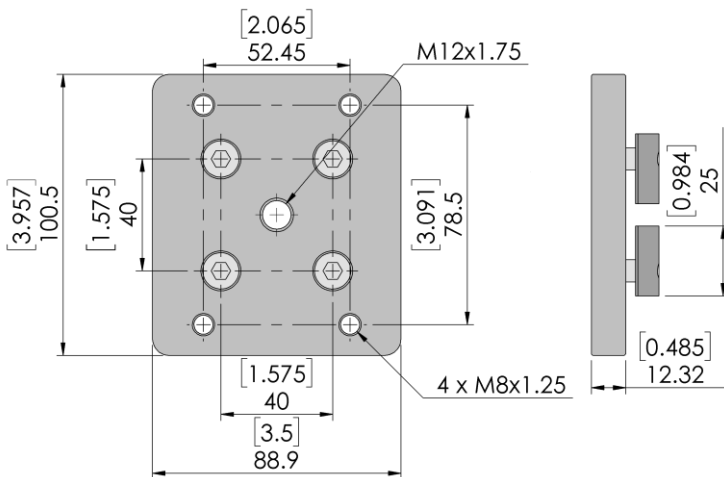
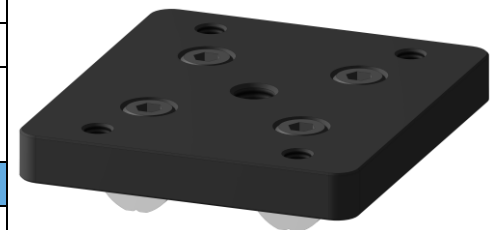
Material	6061-T6	
Finish	Type II, Class 2 Anodize, Black	
Parts Included in Kit	(1) 80x80mm M12 Stem/Plate Caster Mount [40DCP-0401-003-00] (4) M8x1.25x16mm 10.9 Black Oxide SHCS [00HSW-3401-002-00] (4) M8 25mm 1-Hole Std. Offset Nut [40HSN-3507-001-00]	
	<b>Metric</b>	<b>SAE</b>
Weight	0.37 kg [371 g]	0.82 lb [13.1 oz]



## 80X80 M12 STEM/HD PLATE CASTER PROFILE MOUNT KIT

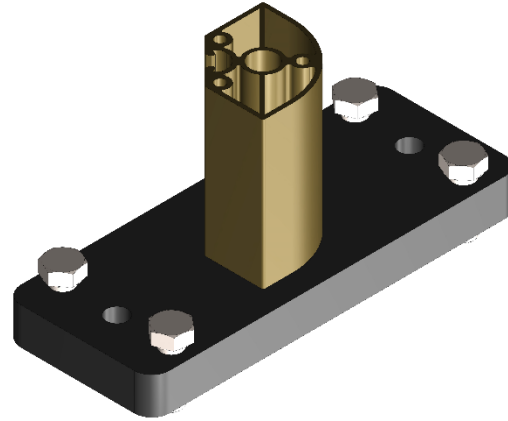
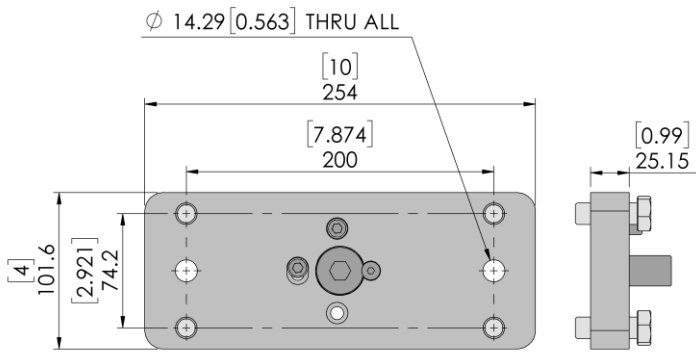
40DCP-0401-010-02

Material	6061-T6	
Finish	Type II, Class 2 Anodize, Black	
Parts Included in Kit	(1) 80x80mm M12 Stem/HD Caster End Mount [40DCP-0401-010-00] (4) M8x1.25x16mm 10.9 Black Oxide SHCS [00HSW-3401-002-00] (4) M8 25mm 1-Hole Std. Offset Nut [40HSN-3507-001-00]	
	<b>Metric</b>	<b>SAE</b>
Weight	0.40 kg [401 g]	0.88 lb [14.1 oz]



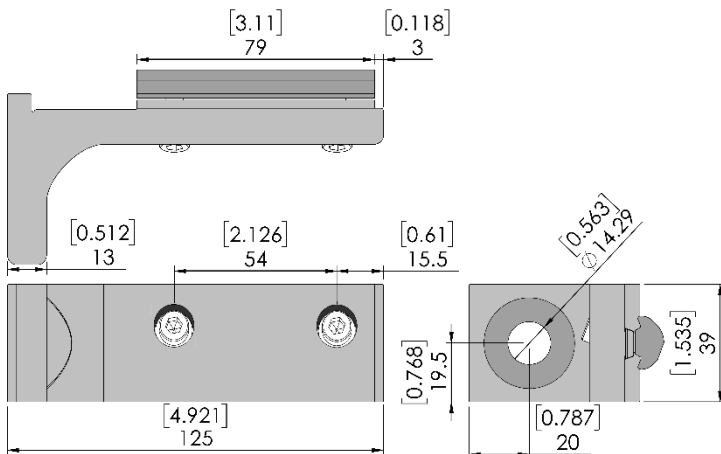
**70X70MM HD FLOOR ANCHOR PLATE KIT 40DFA-0501-001-01**

Material	6061-T6		
Finish	Type II, Class 2 Anodize, Black		
Parts Included in Kit	(1) 70x70 M12 Stem/HD Plate Caster End Mount [40DFA-0501-001-00] (1) M20x1.5x45mm 7075-T6 CDI Flat Head SHCS [00HSW-0401-800-00] (2) M8x1.25x30mm 12.9 Black Oxide SHCS [00HSW-3501-014-00] (1) M6x1.0x12mm 18-8 SS Flat Head SHCS-LH Thread [00HSW-3400-300-00]		
	<b>Metric</b>	<b>SAE</b>	
Weight	1.71 kg [1708 g]	3.76 lb [60.2 oz]	



**40MM FLOOR ANCHOR KIT 40DFA-0401-001-01**

Material	6061-T6		
Finish	Type II, Class 2 Anodize, Black		
Parts Included in Kit	(1) 40mm Floor Anchor [40DFA-0401-001-00] (1) M6 60mm 2-Hole Angle Nut [40HAN-3407-005-00] (2) M6x1.0x20mm 12.9 Flanged SHCS [00HSW-3507-202-00]		
	<b>Metric</b>	<b>SAE</b>	
Weight	0.30 kg [302 g]	0.67 lb [10.7 oz]	

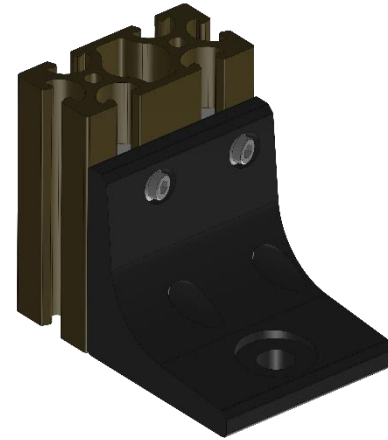
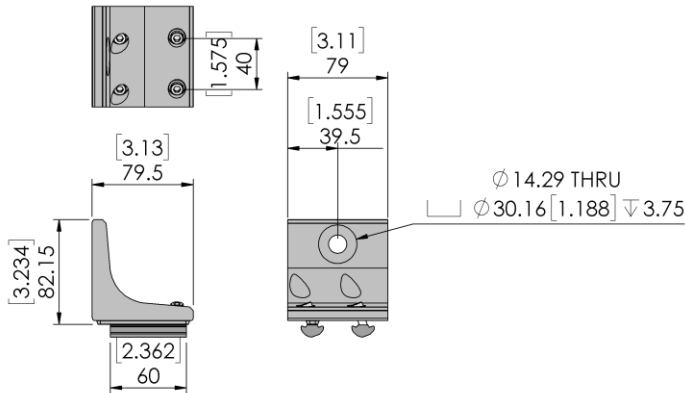
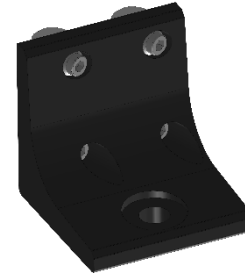


- SOLUTIONS
- PROFILES
- COMPONENTS
- MOTION
- DOORS & FLOORS
- ACCESSORIES
- HARDWARE

## NEW - 80MM FLOOR ANCHOR KIT

40DFA-0421-001-01

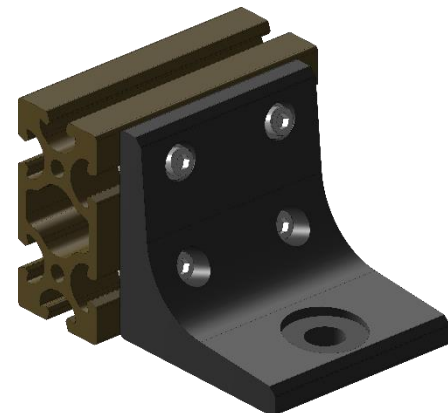
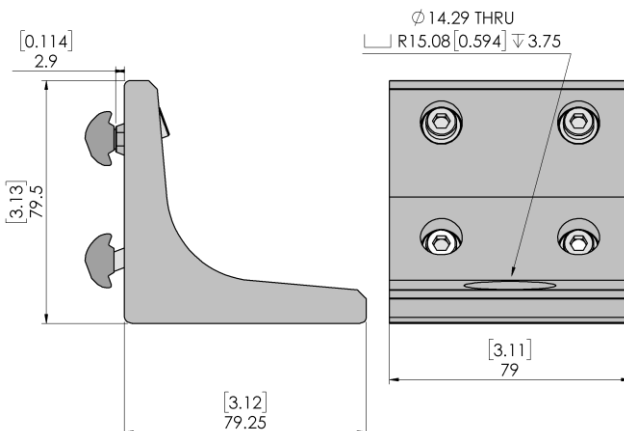
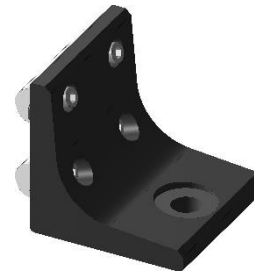
Material	6061-T6	
Finish	Type II, Class 2 Anodize, Black	
Parts Included in Kit	(1) 80mm Floor Anchor Bracket [40DFA-0421-001-00] (2) M6x1.0 60mm 2-Hole Angle Nut [40HAN-3407-005-00] (4) M6x1.0x20mm 12.9 Flanged SHCS [00HSW-3507-202-00]	
	<b>Metric</b>	<b>SAE</b>
Weight	0.42 kg [416 g]	0.92 lb [14.7 oz]



## NEW - 80MM PERPENDICULAR FLOOR ANCHOR KIT

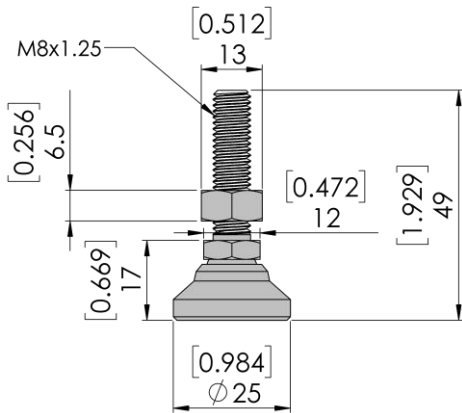
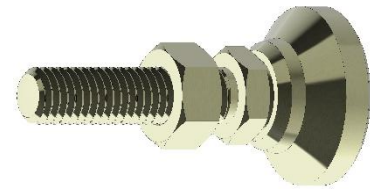
40DFA-0421-002-01

Material	6061-T6	
Finish	Type II, Class 2 Anodize, Black	
Parts Included in Kit	(1) 80mm Perpendicular Floor Anchor Bracket [40DFA-0421-002-00] (2) M6x1.0 60mm 2-Hole Angle Nut [40HAN-3407-005-00] (4) M6x1.0x20mm 12.9 Flanged SHCS [00HSW-3507-202-00]	
	<b>Metric</b>	<b>SAE</b>
Weight	0.56 kg [561 g]	1.24 lb [19.8 oz]

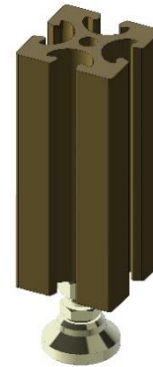


**M8 STEM MOUNT LEVELING FOOT (750KG) 00DLF-3500-001-00**

Material	Steel	
Finish	Yellow Zinc	
Parts Included in Kit	(1) M8 Stem Mount Leveling Foot [00DLF-3500-001-00]	
	<b>Metric</b>	<b>SAE</b>
Weight	0.045 kg [45 g]	0.1 lb [1.6 oz]

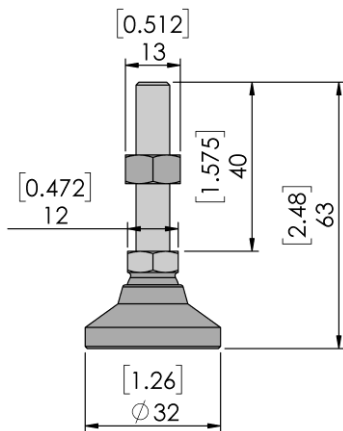
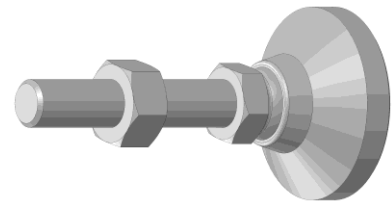


**Quick Tip:**  
Most AngleLock profile cavities are designed to accept a M8x1.25 tap without predrilling. Simply tap the end of the profile and this leveling foot is ready to mount.



**NEW – M8 STEM MOUNT LEVELING FOOT 40MM STUD (1400KG) 00DLF-3500-003-00**

Material	Steel	
Finish	Zinc	
Parts Included in Kit	(1) M8 Stem Mt Leveling Foot, 40mm Stud (1400kg)[00DLF-3500-001-00]	
	<b>Metric</b>	<b>SAE</b>
Weight	0.085 kg [85 g]	0.187 lb [7.7 oz]



**Quick Tip:**  
Most AngleLock profile cavities are designed to accept a M8x1.25 tap without predrilling. Simply tap the end of the profile and this leveling foot is ready to mount.

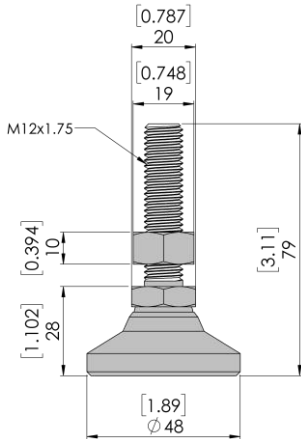
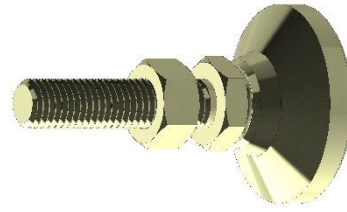


- SOLUTIONS
- PROFILES
- COMPONENTS
- MOTION
- DOORS & FLOORS
- ACCESSORIES
- HARDWARE

## M12 STEM MOUNT LEVELING FOOT (2000 KG)

00DLF-3600-001-00

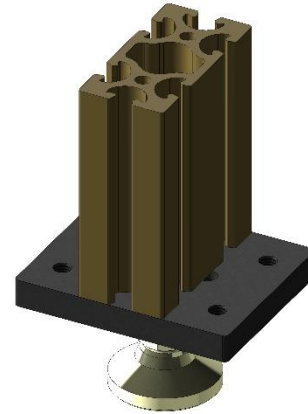
Material	Steel	
Finish	Yellow Zinc	
Parts Included in Kit	(1) M12 Stem Mount Leveling Foot [00DLF-3600-001-00]	
	<b>Metric</b>	<b>SAE</b>
Weight	0.22 kg [218 g]	0.48 lb [7.7 oz]



### Quick Tip:

The M12 Leveling foot requires a stem mount plate for mounting.

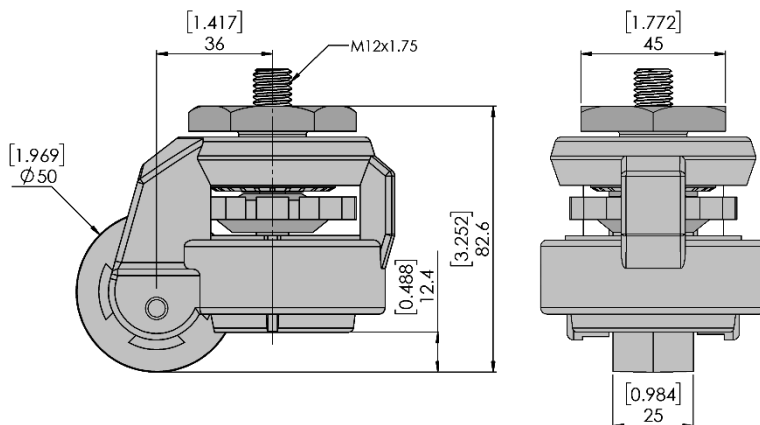
See the table on page 78 for compatible caster plates.



## M12 STEM MOUNT LEVELING CASTER (250 KG)

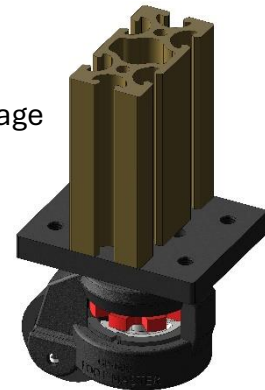
00DCA-3500-004-00

Material	Cast Aluminum Body, Nylon Wheel	
Finish	Black	
Parts Included in Kit	(1) M12 Stem Mount Leveling Caster [00DLA-3500-004-00]	
	<b>Metric</b>	<b>SAE</b>
Weight	0.61 kg [612 g]	1.4 lb [21.6 oz]



### Quick Tip:

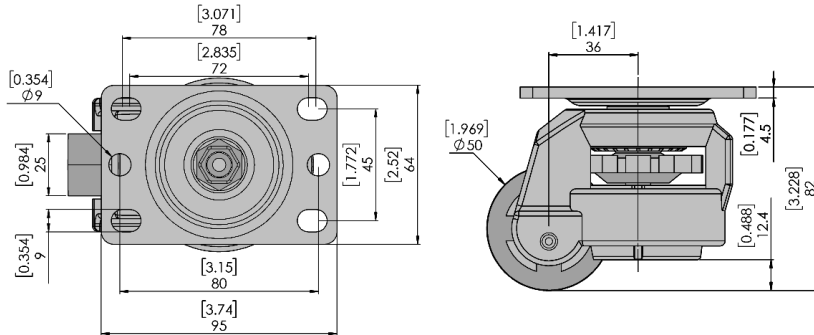
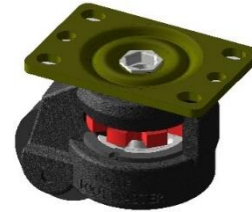
See the table on page 78 for compatible caster plates.



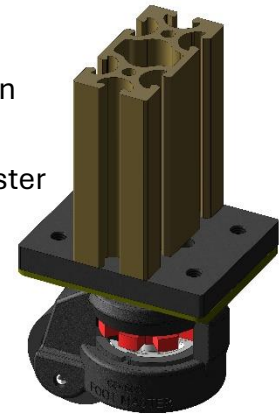


**PLATE MOUNT SWIVEL LEVELING CASTER (250 KG) 00DCA-3500-003-00**

Material	Cast Aluminum Body, Nylon Wheel	
Finish	Black	
Parts Included in Kit	(1) M12 Plate Mount Swivel Leveling Caster [00DLA-3500-003-00]	
	<b>Metric</b>	<b>SAE</b>
Weight	0.680 kg [680 g]	1.5 lb [24.0 oz]

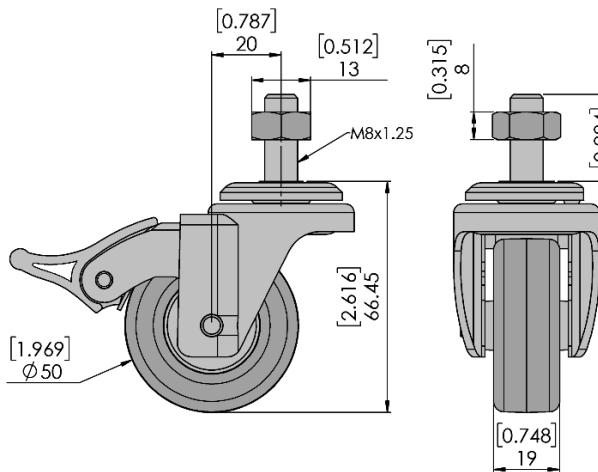
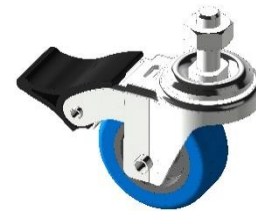


**Quick Tip:**  
See the table on page 78 for compatible caster plates.



**M8 STEM MOUNT Ø50MM CASTER W/TOTAL BRAKE (40 KG) 00DCA-3200-001-00**

Material	Steel Body, Thermoplastic Wheel	
Finish	Clear Zinc	
Parts Included in Kit	(1) M8 Stem Mount Ø50mm Caster w/ Total Brake (40 kg) [00DCA-3200-001-00]	
	<b>Metric</b>	<b>SAE</b>
Weight	0.49 kg [499 g]	1.10 lb [17.6 oz]



**Quick Tip:**  
Most AngleLock profile cavities are designed to accept a M8x1.25 tap without predrilling. Simply tap the end of the profile and this leveling foot is ready to mount.

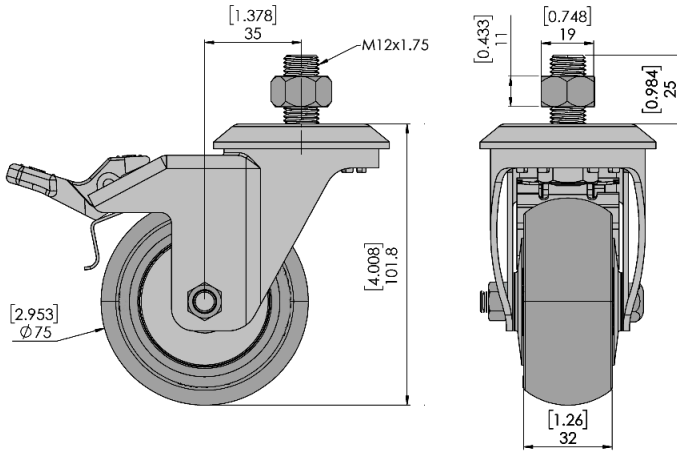
See the table on page 78 for compatible caster plates.



## M12 STEM MOUNT Ø75MM CASTER W/TOTAL BRAKE (70 KG)

00DCA-3300-001-00

Material	Steel Body, Thermoplastic Wheel	
Finish	Clear Zinc	
Parts Included in Kit	(1) M12 Stem Mount Ø75mm Caster w/ Total Brake (70 kg) [00DCA-3300-001-00]	
	<b>Metric</b>	<b>SAE</b>
Weight	0.52 kg [521 g]	1.14 lb [18.4 oz]



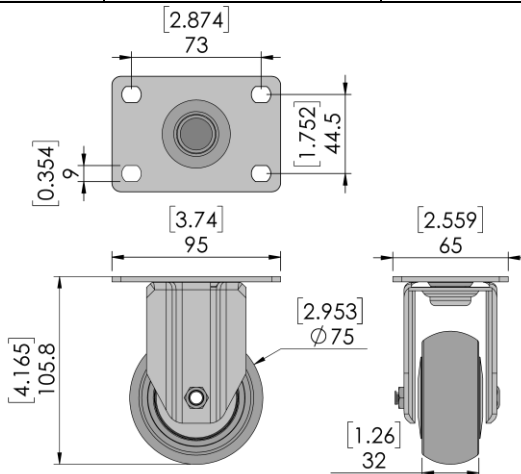
**Quick Tip:**  
See the table on page 78 for compatible caster plates.



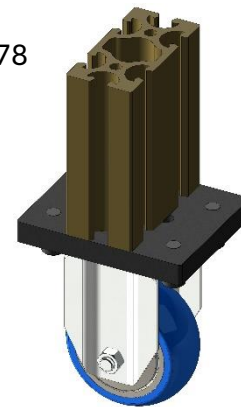
## PLATE MOUNT Ø75MM FIXED CASTER (70 KG)

00DCA-3300-002-00

Material	Steel Body, Thermoplastic Wheel	
Finish	Clear Zinc	
Parts Included in Kit	(1) Plate Mount Ø75mm Fixed Caster [00DCA-3300-002-00]	
	<b>Metric</b>	<b>SAE</b>
Weight	0.49 kg [499 g]	1.10 lb [17.6 oz]



**Quick Tip:**  
See the table on page 78 for compatible caster plates.



**NEW - PLATE MOUNT Ø75MM SWIVEL W/TOTAL BRAKE (70 KG) 00DCA-3300-003-00**

Material	Steel Body, Thermoplastic Wheel	
Finish	Clear Zinc	
Parts Included in Kit	(1) Plate Mount Ø75mm Swivel w/ Total Brake [00DCA-3300-003-00]	
	<b>Metric</b>	<b>SAE</b>
Weight	049 kg [499 g]	1.10 lb [17.6 oz]



SOLUTIONS

PROFILES

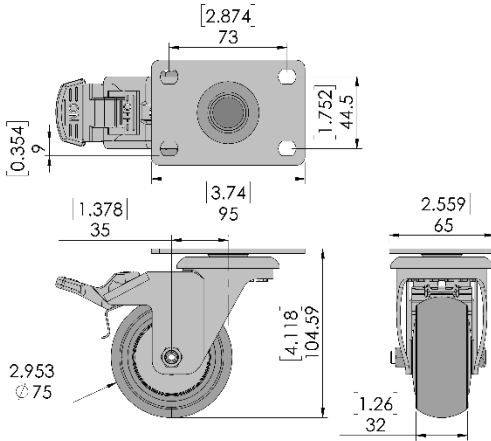
COMPONENTS

MOTION

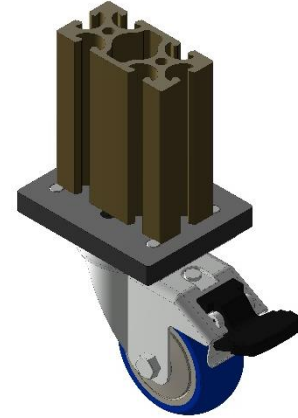
DOORS & FLOORS

ACCESSORIES

HARDWARE

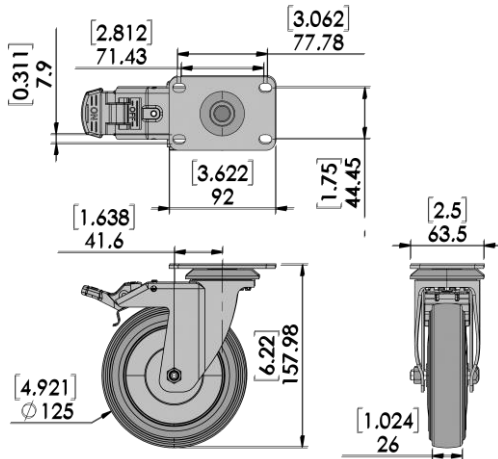


**Quick Tip:**  
See the table on page 78 for compatible caster plates.



**PLATE MOUNT Ø125MM SWIVEL CASTER W/TOTAL BRAKE (125 KG) 00DCA-3400-002-00**

Material	Steel Body, Thermoplastic Wheel	
Finish	Clear Zinc	
Parts Included in Kit	(1) Plate Mount Ø125mm Swivel Caster [00DCA-3400-002-00]	
	<b>Metric</b>	<b>SAE</b>
Weight	0.98 kg [975 g]	2.15 lb [34.4 oz]



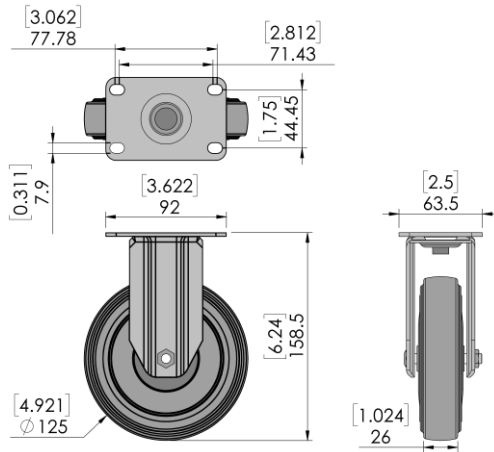
**Quick Tip:**  
See the table on page 78 for compatible caster plates.



## PLATE MOUNT Ø125MM FIXED CASTER (125 KG)

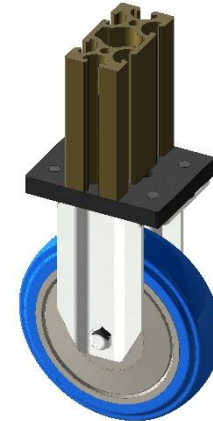
00DCA-3400-001-00

Material	Steel Body, Thermoplastic Wheel	
Finish	Clear Zinc	
Parts Included in Kit	(1) Plate Mount Ø125mm Fixed Caster [00DCA-3400-001-00]	
	<b>Metric</b>	<b>SAE</b>
Weight	0.77 kg [771 g]	1.70 lb [27.2 oz]



### Quick Tip:

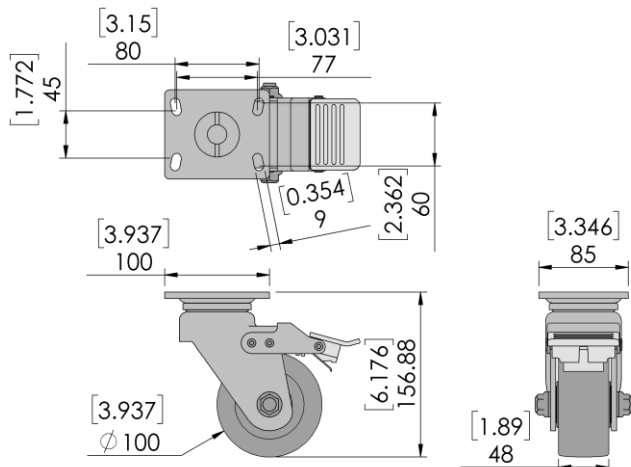
See the table on page 78 for compatible caster plates.



## PLATE MOUNT Ø100MM SWIVEL CASTER W/TOTAL BRAKE (400 KG)

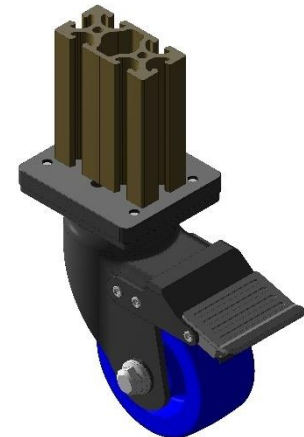
00DCA-3500-002-00

Material	Steel Body, Cast Polyurethane Wheel	
Finish	Black	
Parts Included in Kit	(1) Plate Mount Ø100mm Swivel Caster [00DCA-3500-002-00]	
	<b>Metric</b>	<b>SAE</b>
Weight	2.29 kg [2290 g]	5.05 lb [80.8 oz]



### Quick Tip:

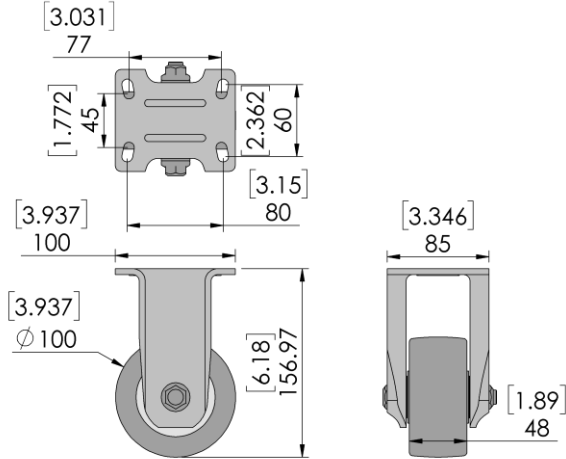
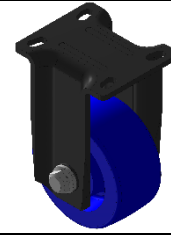
See the table on page 78 for compatible caster plates.



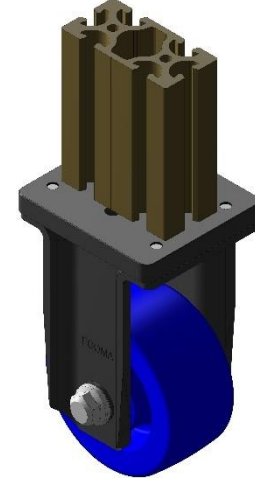
**PLATE MOUNT Ø100MM FIXED CASTER (400 KG)**

**00DCA-3500-001-00**

Material	Steel Body, Cast Polyurethane Wheel	
Finish	Black	
Parts Included in Kit	(1) Plate Mount Ø100mm Fixed Caster [00DCA-3500-001-00]	
	<b>Metric</b>	<b>SAE</b>
Weight	1.47 kg [1470 g]	3.25 lb [52 oz]



**Quick Tip:**  
See the table on page 78 for compatible caster plates.



SOLUTIONS

PROFILES

COMPONENTS

MOTION

DOORS & FLOORS

ACCESSORIES

HARDWARE

Table 1: List of casters and plates that are compatible with each other

Caster	Compatible Plate
M8 STEM MOUNT LEVELING FOOT (750KG)	
M8 STEM MOUNT LEVELING FOOT 40MM STUD (1400KG)	
M8 STEM MOUNT Ø50mm CASTER W/TOTAL BRAKE (40 KG)	Tapped end of profiles only
	40X80MM M12 STEM/PLATE CASTER PROFILE MOUNT KIT
	40X80MM M12 STEM/HD PLATE CASTER PROFILE MOUNT KIT
	40DCP-0401-001-02
	40DCP-0401-009-02
M12 STEM MOUNT LEVELING FOOT (2000KG)	40DCP-0401-005-01
M12 STEM MOUNT LEVELING CASTER (250 KG)	40DCP-0401-004-01
M12 STEM MOUNT Ø75 mm CASTER W/TOTAL BRAKE (70 KG)	40DCP-0401-008-01
	40DCP-0401-004-01
	40DCP-0401-004-01
	40DCP-0401-001-02
PLATE MOUNT Ø 100mm SWIVEL CASTER W/TOTAL BRAKE (400 kg)	40DCP-0401-001-02
PLATE MOUNT Ø 100mm FIXED CASTER (400 kg)	40DCP-0401-004-01
	40DCP-0401-010-02
PLATE MOUNT SWIVEL LEVELING CASTER (250 KG)	40DCP-0401-001-02
PLATE MOUNT Ø 75mm FIXED CASTER (70 KG)	40DCP-0401-004-01
PLATE MOUNT Ø75MM SWIVEL W/TOTAL BRAKE (70 KG)	40DCP-0401-004-01
PLATE MOUNT Ø125mm SWIVEL CASTER W/TOTAL BRAKE (125 KG)	40DCP-0401-004-01
PLATE MOUNT Ø125mm FIXED CASTER (125 KG)	40DCP-0401-003-01



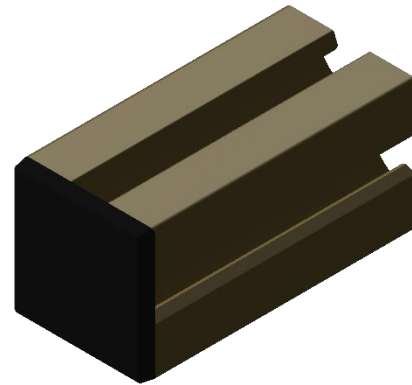
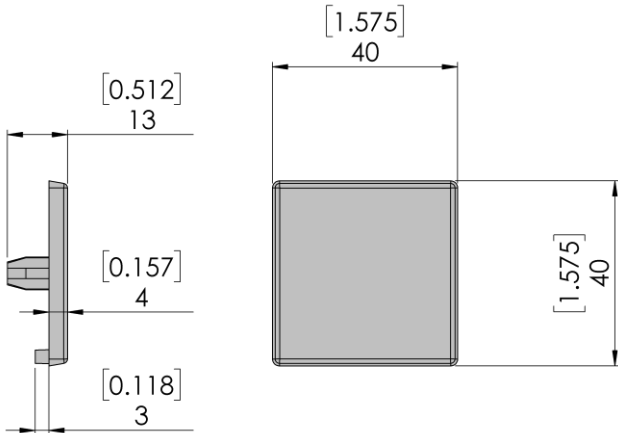
## Accessories

Whether looking to add strength, safety, functionality, or aesthetic appeal to your AngleLock project, look no further! AngleLock offers accessories such as end caps, rubber bumpers, and profile strengthening members needed to give that finishing touch.

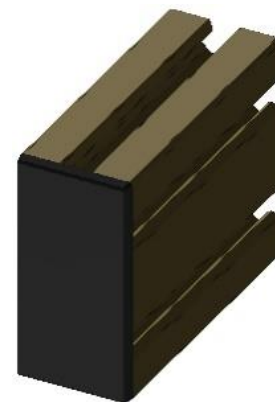
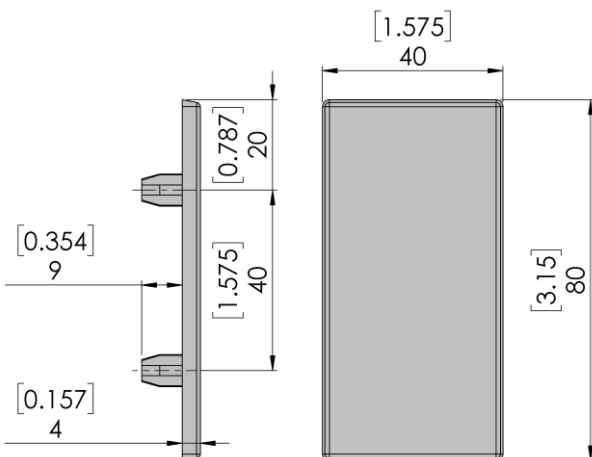
	Description	Part Number	Page
End Caps	40X40 BLACK END CAP – 10 PK	40AEC-1401-001-01	81
	40X80 BLACK END CAP – 10 PK	40AEC-1401-002-01	81
	<b>NEW - 80X120 BLACK END CAP</b>	40AEC-1401-007-01	82
	<b>NEW - 40MM HAND RAIL BLACK END CAP</b>	40AEC-1401-008-01	82
	<b>NEW - 50X80 SINGLE FLANGE BLACK END CAP RH KIT</b>	40AEC-1401-010-01	83
	<b>NEW - 50X80 SINGLE FLANGE BLACK END CAP LH KIT</b>	40AEC-1401-009-01	83
	<b>NEW - 40X120 BLACK END CAP</b>	40AEC-1401-011-01	84
	<b>NEW - 80X80 BLACK END CAP</b>	40AEC-1401-003-01	84
	<b>NEW - 70X70 ABS BLACK END CAP KIT</b>	40AEC-1401-004-01	85
	<b>NEW - 55X55 ABS BLACK END CAP KIT</b>	40AEC-1401-006-01	85
	<b>NEW - 90X90 BLACK END CAP KIT</b>	40AEC-1401-005-01	86
Supports	3-WAY SUPPORT PROFILE	40A04-0012-040	86
	40MM SUPPORT PROFILE	40A04-0012-050	87
	80MM SUPPORT PROFILE	40A04-0022-010	87
Wire Management	40X25 BLACK ABS WIRE WAY	40ASC-0411-001-00	88
	40-6 SNAP-IN PVC TROUGH WITH COVER	40ASC-1411-003-01	88
	40-6 BLACK ABS FLANGE	40ASC-1411-002-00	89



40X40 BLACK END CAP – 10 PK		40AEC-1401-001-01
Material	Zylar	
Finish	Matte Black	
	<b>Metric</b>	<b>SAE</b>
Package Weight (Per 10 Pack)	0.06 kg [63 g]	0.14 lb [2.2 oz]
Description/Use	Keeps dirt and grime out of the end of a 40x40mm profile and gives your project a professional finished look. Simply press or tap onto profile end. Removable.	



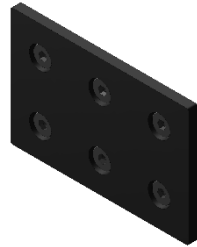
40X80 BLACK END CAP – 10 PK		40AEC-1401-002-01
Material	Zylar	
Finish	Matte Black	
	<b>Metric</b>	<b>SAE</b>
Package Weight (Per 10 Pack)	0.12 kg [122 g]	0.27 lb [4.3 oz]
Description/Use	Keeps dirt and grime out of the end of a 40x80mm profile and gives your project a professional finished look. Simply press or tap onto profile end. Removable.	

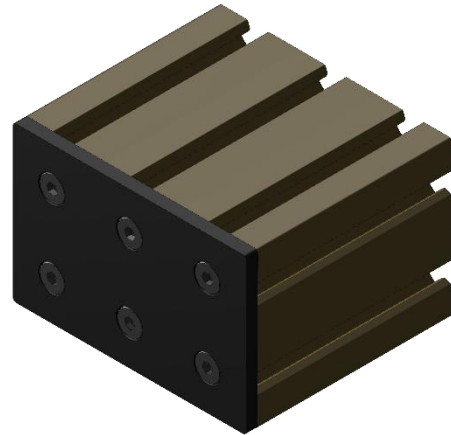
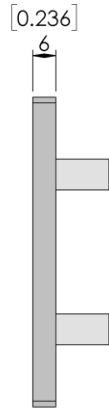
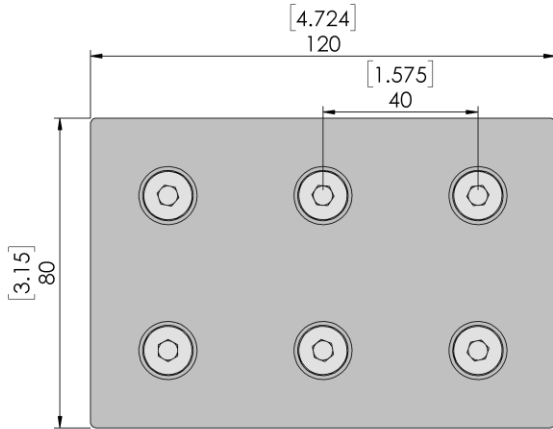


- SOLUTIONS
- PROFILES
- COMPONENTS
- MOTION
- DOORS & FLOORS
- ACCESSORIES
- HARDWARE

## NEW - 80X120 BLACK END CAP

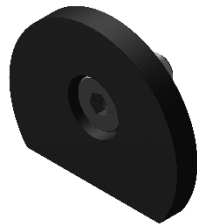
40AEC-1401-007-01

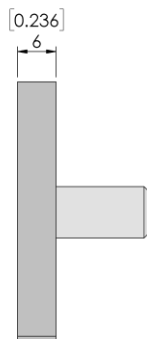
Material	ABS		
Finish	Black		
Parts Included in Kit	(1) 80x120 End Cap-Black [40AEC-1401-007-00] (6) M8x1.25x12mm 10.9 Black Oxide Ultra Low SHCS [00HSW-3401-401-00]		
	<b>Metric</b>	<b>SAE</b>	
Weight	0.11 kg [105 g]	0.23 lb [3.7 oz]	



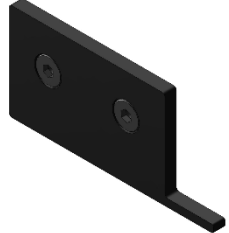
## NEW - 40MM HAND RAIL BLACK END CAP

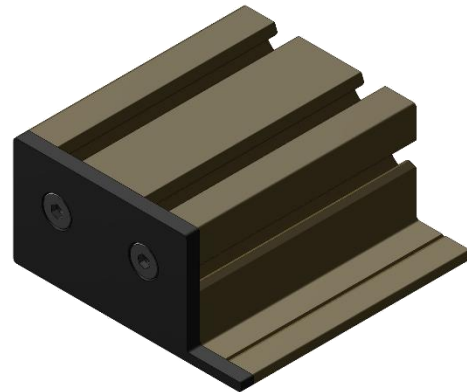
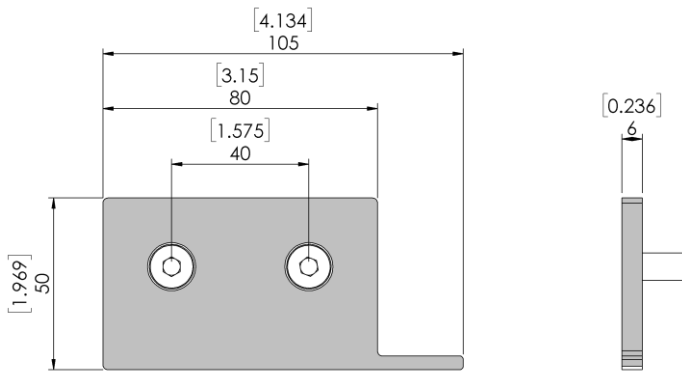
40AEC-1401-008-01

Material	ABS		
Finish	Black		
Parts Included in Kit	(1) 40mm Hand Rail End Cap-Black [40AEC-1401-008-00] (1) M8x1.25x12mm 10.9 Black Oxide Ultra Low SHCS [00HSW-3401-401-00]		
	<b>Metric</b>	<b>SAE</b>	
Package Weight (Per 10 Pack)	0.02 kg [18 g]	0.04 lb [0.6 oz]	

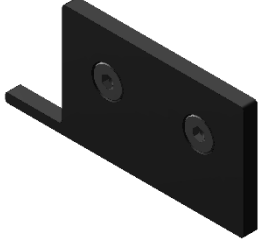


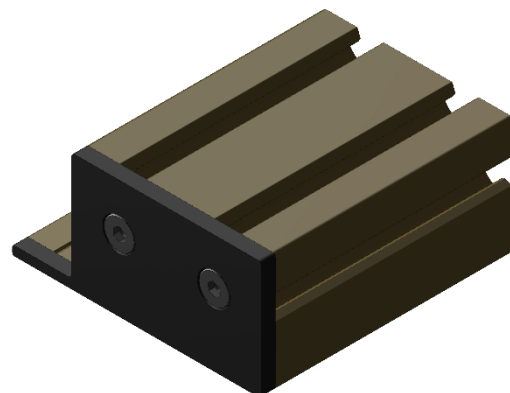
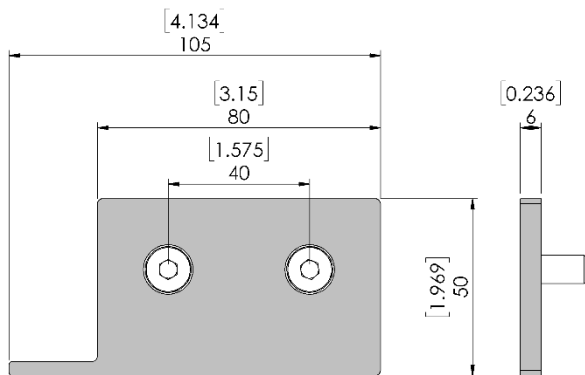
**NEW - 50X80 SINGLE FLANGE BLACK END CAP RH KIT** **40AEC-1401-010-01**

Material	ABS		
Finish	Black		
Parts Included in Kit	(1) 50x80 Single Flange End Cap, RH-Black [40AEC-1401-010-00] (2) M8x1.25x12mm 10.9 Black Oxide Ultra Low SHCS [00HSW-3401-401-00]		
	<b>Metric</b>	<b>SAE</b>	
Package Weight (Per 10 Pack)	0.04 kg [40 g]	0.09 lb [1.4 oz]	




**NEW - 50X80 SINGLE FLANGE BLACK END CAP LH KIT** **40AEC-1401-009-01**

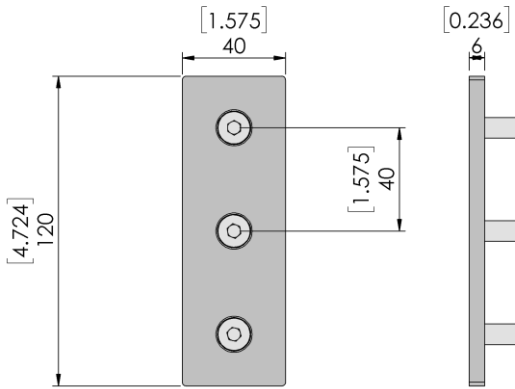
Material	ABS		
Finish	Black		
Parts Included in Kit	(1) 50x80 Single Flange End Cap, LH-Black [40AEC-1401-009-00] (2) M8x1.25x12mm 10.9 Black Oxide Ultra Low SHCS [00HSW-3401-401-00]		
	<b>Metric</b>	<b>SAE</b>	
Package Weight (Per 10 Pack)	0.04 kg [40 g]	0.09 lb [1.4 oz]	



## NEW - 40X120 BLACK END CAP

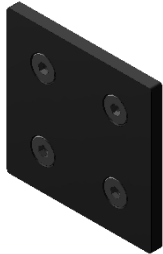
40AEC-1401-011-01

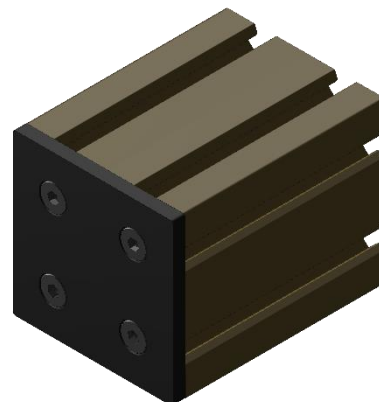
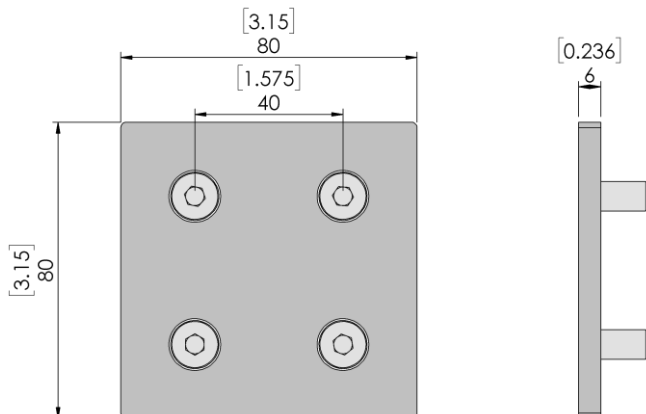
Material	ABS		
Finish	Black		
Parts Included in Kit	(1) 40x120 End Cap-Black [40AEC-1401-011-00] (3) M8x1.25x12mm 10.9 Black Oxide Ultra Low SHCS [00HSW-3401-401-00]		
	<b>Metric</b>	<b>SAE</b>	
Package Weight (Per 10 Pack)	0.05 kg [53 g]	0.12 lb [1.9 oz]	



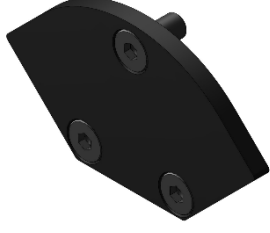
## NEW - 80X80 BLACK END CAP

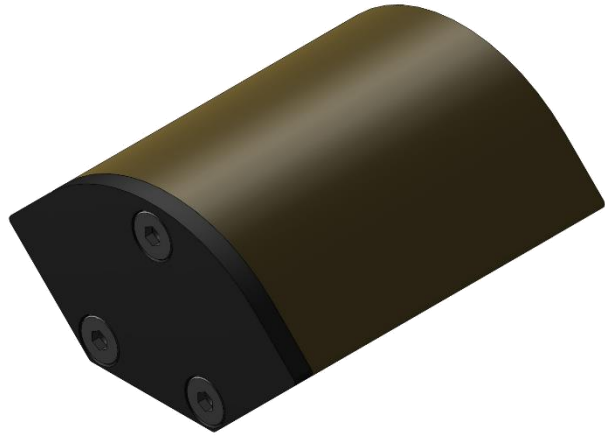
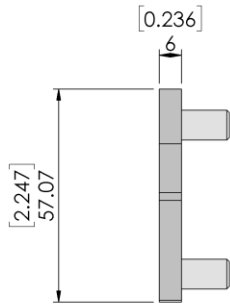
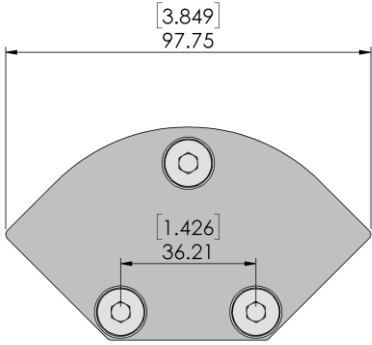
40AEC-1401-003-01

Material	ABS		
Finish	Black		
Parts Included in Kit	(1) 80x80 End Cap-Black [40AEC-1401-003-00] (4) M8x1.25x12mm 10.9 Black Oxide Ultra Low SHCS [00HSW-3401-401-00]		
	<b>Metric</b>	<b>SAE</b>	
Package Weight (Per 10 Pack)	0.07 kg [70 g]	0.1 lb [1.7 oz]	

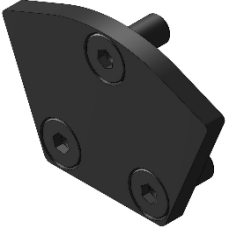


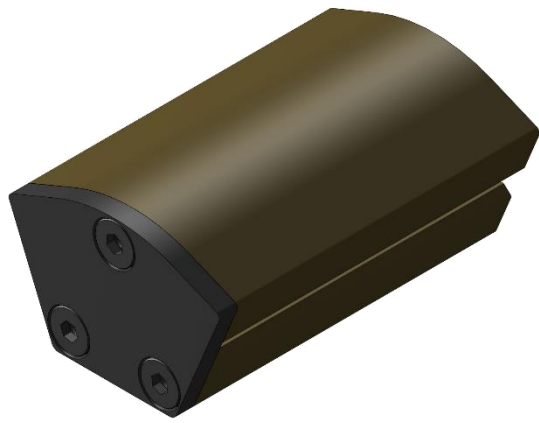
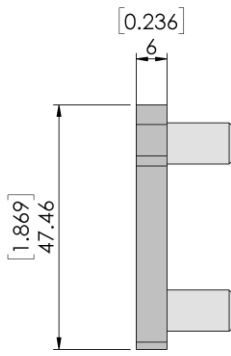
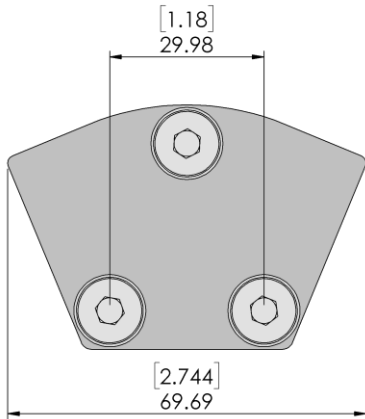
**NEW - 70X70 ABS BLACK END CAP KIT** **40AEC-1401-004-01**

Material	ABS		
Finish	Black		
Parts Included in Kit	(1) 70x70 End Cap Kit-Black [40AEC-1401-004-00] (3) M8x1.25x12mm 10.9 Black Oxide Ultra Low SHCS [00HSW-3401-401-00]		
	<b>Metric</b>	<b>SAE</b>	
Package Weight (Per 10 Pack)	0.05 kg [47 g]	0.1 lb [1.7 oz]	



**NEW - 55X55 ABS BLACK END CAP KIT** **40AEC-1401-006-01**

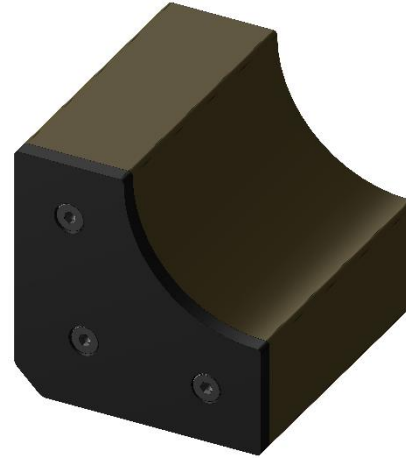
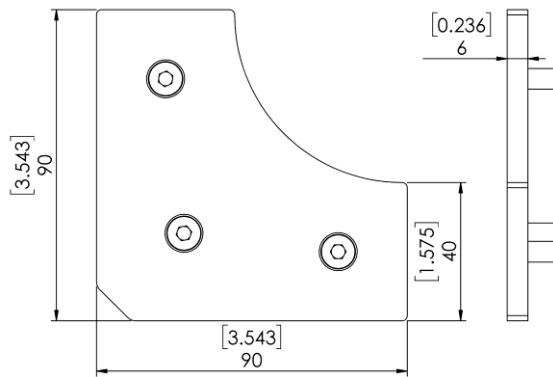
Material	ABS		
Finish	Black		
Parts Included in Kit	(1) 55x55 End Cap-Black [40AEC-1401-006-00] (3) M8x1.25x12mm 10.9 Black Oxide Ultra Low SHCS [00HSW-3401-401-00]		
	<b>Metric</b>	<b>SAE</b>	
Package Weight (Per 10 Pack)	0.04 kg [39 g]	0.09 lb [1.4 oz]	



## NEW - 90X90 BLACK END CAP KIT

40AEC-1401-005-01

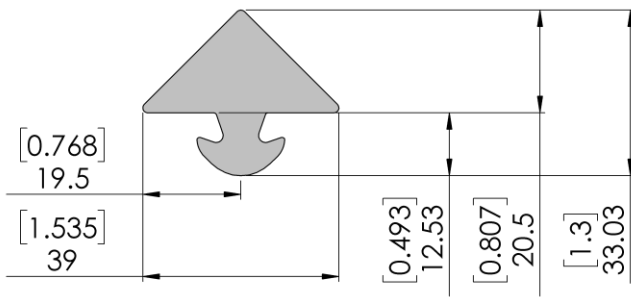
Material	ABS	
Finish	Black	
Parts Included in Kit	(1) 90x90 End Cap-Black [40AEC-1401-005-00] (3) M6x1.0x16mm 10.9 Ultra Low SHCS [00HSW-3401-402-00]	
	<b>Metric</b>	<b>SAE</b>
Package Weight (Per 10 Pack)	0.05 kg [50 g]	0.11 lb [1.76 oz]



## 3-WAY SUPPORT PROFILE

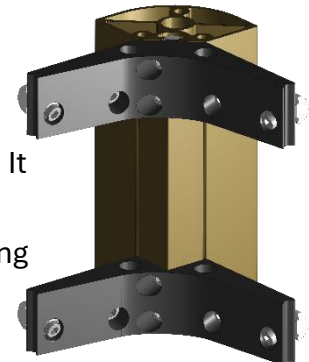
40A04-0012-040

Material	6005-T5	
Finish/Color: Type II, Architectural Class I Anodize	Light Bronze	40A04-0012-040
	<b>Metric</b>	<b>SAE</b>
Weight Per Length	1.542 kg/m	1.040 lb/ft
Available Length(s):	3683 mm	145"
40A04-0012-040	25 - 3683 mm	1" to 145"
Cross-Sectional Area	5.711 cm <sup>2</sup>	0.885 in <sup>2</sup>
Moment of Inertia	$I_x = 3.070 \text{ cm}^4$ $I_y = 3.286 \text{ cm}^4$	$I_x = 0.074 \text{ in}^4$ $I_y = 0.079 \text{ in}^4$



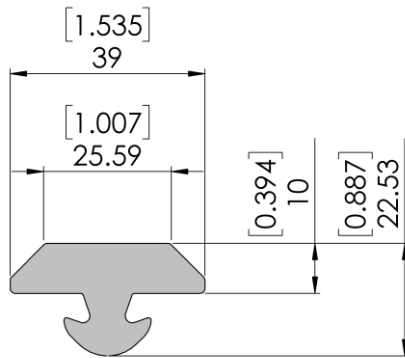
### Quick Tip:

Utilize this profile as a rigid support between bracketry. It can also be machined to length for a precision locating situation.



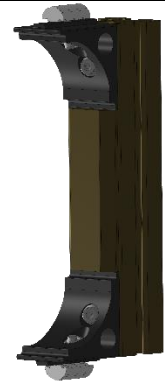
**40MM SUPPORT PROFILE 40A04-0012-050**

Material	6005-T5	
Finish/Color: Type II, Architectural Class I Anodize	Light Bronze	40A04-0012-050
	<b>Metric</b>	<b>SAE</b>
Weight Per Length	1.283 kg/m	0.862 lb/ft
Available Length(s): 40A04-0012-050 / 40A04-0012-05C	3683 mm / 25 - 3683 mm	145" / 1" to 145"
Cross-Sectional Area	4.752 cm <sup>2</sup>	0.736 in <sup>2</sup>
Moment of Inertia	$I_x = 1.608 \text{ cm}^4$ $I_y = 3.661 \text{ cm}^4$	$I_x = 0.039 \text{ in}^4$ $I_y = 0.088 \text{ in}^4$



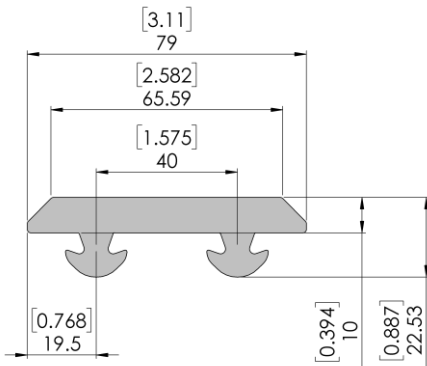
**Quick Tip:**

Utilize this profile as a rigid support between bracketry. It can also be machined to length for a precision locating situation.



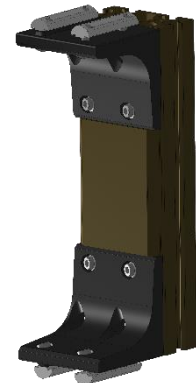
**80MM SUPPORT PROFILE 40A04-0022-010**

Material	6005-T5	
Finish/Color: Type II, Architectural Class I Anodize	Light Bronze	40A04-0022-010
	<b>Metric</b>	<b>SAE</b>
Weight Per Length	2.736 kg/m	0.862 lb/ft
Available Length(s): 40A04-0022-010 / 40A04-0022-01C	3683 mm / 25 - 3683 mm	145" / 1" to 145"
Cross-Sectional Area	10.133 cm <sup>2</sup>	1.571 in <sup>2</sup>
Moment of Inertia	$I_x = 3.428 \text{ cm}^4$ $I_y = 45.530 \text{ cm}^4$	$I_x = 0.082 \text{ in}^4$ $I_y = 1.094 \text{ in}^4$



**Quick Tip:**

Utilize this profile as a rigid support between bracketry. It can also be machined to length for a precision locating situation.



SOLUTIONS

PROFILES

COMPONENTS

MOTION

DOORS & FLOORS

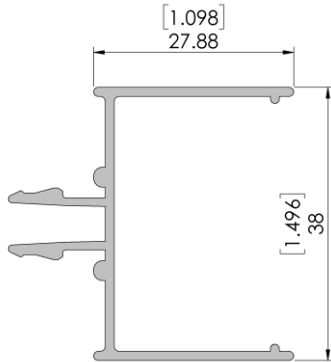
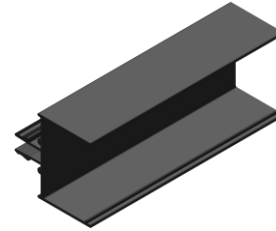
ACCESSORIES

HARDWARE

## 40X25 BLACK ABS WIRE WAY

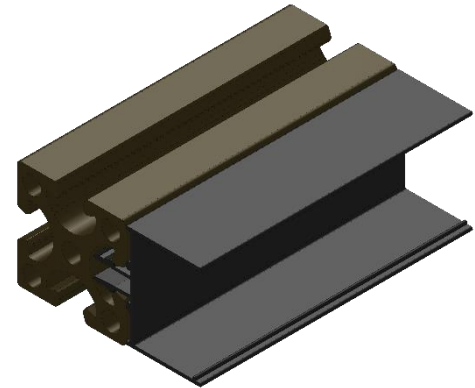
40ASC-0411-001-00

Material	Acrylonitrile Butadiene Styrene	
Finish	Black	
Parts Included in Kit	(1) 40x25 Black ABS Wire Way (2438mm) [40ASC-0411-001-00]	
	<b>Metric</b>	<b>SAE</b>
Weight	0.41 kg [407 g]	0.9 lb [14.4 oz]



### Quick Tip:

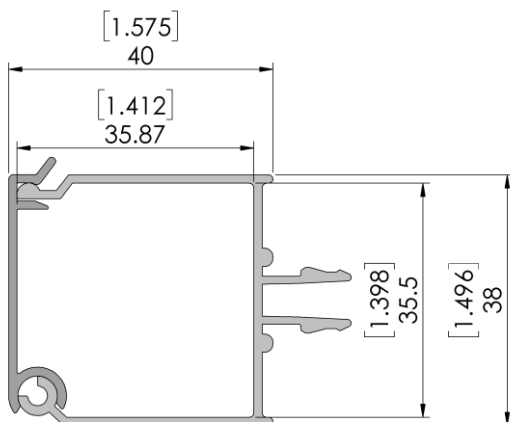
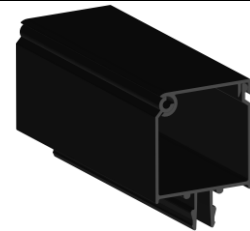
Utilize this wireway when no cover is needed. If a cover is needed for your application, please see page 88.



## 40-6 SNAP-IN PVC TROUGH WITH COVER

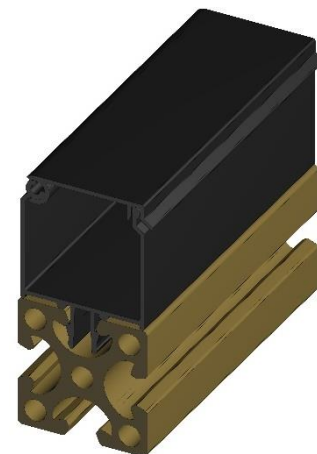
40ASC-1411-003-01

Material	Polyvinyl Chloride	
Finish	Black	
Parts Included in Kit	(1) 40-6 Snap-In PVC Trough With Cover (2000mm) [40ASC-1411-003-01]	
	<b>Metric</b>	<b>SAE</b>
Weight	0.57 kg [568 g]	1.25 lb [20 oz]



### Quick Tip:

This PVC trough features a hinged cover that securely snaps closed, but can be easily reopened as needed.

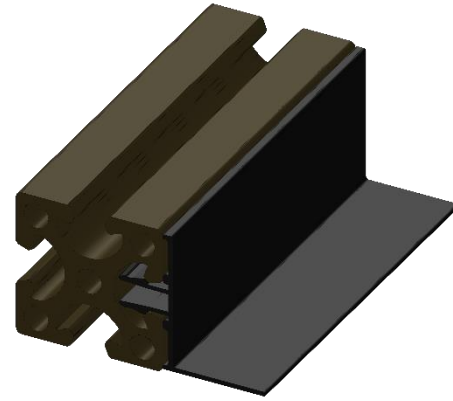
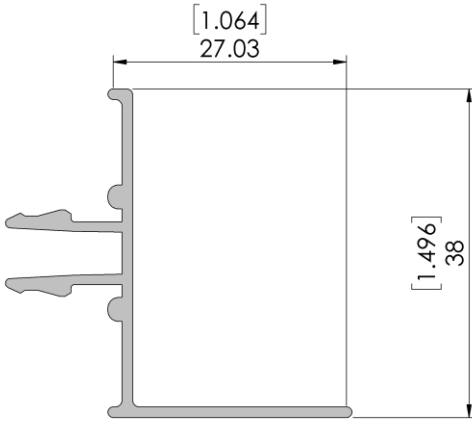
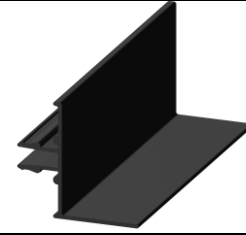




**40-6 BLACK ABS FLANGE**

**40ASC-1411-002-00**

Material	Acrylonitrile Butadiene Styrene	
Finish	Black	
Parts Included in Kit	(1) 40-6 Black ABS Flange (2438mm) [40ASC-1411-002-00]	
	<b>Metric</b>	<b>SAE</b>
Weight	0.27 kg [266 g]	0.59 lb [9.4 oz]



**NOTES**

---

---

---

---

---

---

---

---

---

---

---

---

---

---

---

---

---

---

---

---

---

---

---

---

- SOLUTIONS
- PROFILES
- COMPONENTS
- MOTION
- DOORS & FLOORS
- ACCESSORIES
- HARDWARE

## Hardware

The hardware offerings by AngleLock enable us to be a true one-stop-shop. From common screws and nuts, to our patented angle nuts using the AngleLock fastening system, we have what you need to finish your structural framing project.

	Description	Part Number	Page
AngleLock Straight Hole Nuts	<b>NEW - M5X0.8 20MM 1-HOLE OFFSET NUT – 10 PK</b>	40HSN-3407-004-01	91
	<b>NEW – ¼-20 X 20MM 1-HOLE OFFSET NUT – 10 PK</b>	40HSN-3407-005-01	91
	M6X1.0 20MM 1-HOLE OFFSET NUT – 10 PK	40HSN-3407-001-01	91
	M6X1.0 39MM 2-HOLE NUT – 10 PK	40HSN-3407-002-01	91
	M8X1.25 25MM 1-HOLE NUT – 10 PK	40HSN-3507-001-01	92
AngleLock Angled Hole Nuts	M6X1.0 25MM 1-HOLE ANGLE NUT – 10 PK	40HAN-3407-001-01	92
	M6X1.0 38MM 1-HOLE ANGLE NUT – 10 PK	40HAN-3407-008-01	92
	M6X1.0 38MM 2-HOLE ANGLE NUT – 10 PK	40HAN-3407-007-01	92
	M6X1.0 44MM 2-HOLE ANGLE NUT – 10 PK	40HAN-3407-003-01	93
	M6X1.0 60MM 2-HOLE ANGLE NUT – 10 PK	40HAN-3407-005-01	93
	M6X1.0 79MM 2-HOLE ANGLE NUT – 10 PK	40HAN-3407-004-01	93
	M6X1.0 78MM 3-HOLE ANGLE NUT – 10 PK	40HAN-3407-009-01	93
	M6X1.0 100MM 3-HOLE ANGLE NUT – 10 PK	40HAN-3407-002-01	94
Roll-In Nuts	<b>NEW – M6X1.0X25MM ROLL IN 1-HOLE ANGLE NUT – 10 PK</b>	40HAN-3307-001-01	94
	<b>NEW – M6X1.0X20MM ROLL IN 1-HOLE STANDARD NUT – 10 PK</b>	40HSN-3307-001-01	94
AngleLock Drop-In Nuts	M6X1.0 DROP-IN NUT – 10 PK	40HDI-3407-002-01	95
	M6X1.0X25MM DROP-IN T-STUD – 10 PK	40HDI-3407-001-01	95
	M8X1.25X25MM DROP-IN T-STUD – 10 PK	40HDI-3507-001-01	95
Bolts	M6X1.0X20MM 12.9 FLANGED SHCS – 10 PK	00HSW-3507-202-01	95
	M8X16MM BUTTON SHCS – 10 PK	00HSW-3401-502-01	96
Standard Nuts and Washers	M6X1.0 10.9 FLANGE NUT – 10 PK	00HNT-3407-200-01	96
	M8X1.25 10.9 FLANGE NUT – 10 PK	00HNT-3407-201-01	96
	M6X1.0 10.9 NYLON INSERT FLANGE LOCKNUT – 10 PK	00HNT-3407-300-01	96
	M8X1.25 10.9 NYLON INSERT FLANGE LOCKNUT – 10 PK	00HNT-3407-301-01	97
	M6 10.9 BRIGHT ZINC WASHER – 10 PK	00HWA-3407-200-01	97
	M8 10.9 BRIGHT ZINC WASHER – 10 PK	00HWA-3407-201-01	97
	3-WAY CORNER BRACKET WASHER PLATES	40H3W-3401-001-0X	98

**NEW - M5X0.8 20MM 1-HOLE OFFSET NUT – 10 PK** **40HSN-3407-004-01**

Material	1018 Steel	
Finish	Clear Zinc	
	<b>Metric</b>	<b>SAE</b>
Package Weight (Per 10 Pack)	0.156 kg [156 g]	0.344 lb [5.50 oz]
Description/Use	This standard duty straight nut can be used to fasten 3rd party items directly to any of our 40-6 series profiles using a 5mm fastener.	

**NEW – 1/4-20 X 20MM 1-HOLE OFFSET NUT – 10 PK** **40HSN-3407-005-01**

Material	1018 Steel	
Finish	Clear Zinc	
	<b>Metric</b>	<b>SAE</b>
Package Weight (Per 10 Pack)	0.15 kg [150 g]	0.33 lb [5.28 oz]
Description/Use	This standard duty straight nut can be used to fasten 3rd party items directly to any of our 40-6 series profiles using a 1/4-20 fastener.	

**M6X1.0 20MM 1-HOLE OFFSET NUT – 10 PK** **40HSN-3407-001-01**

Material	1018 Steel	
Finish	Clear Zinc	
	<b>Metric</b>	<b>SAE</b>
Package Weight (Per 10 Pack)	0.15 kg [152 g]	0.34 lb [5.4 oz]
Description/Use	This standard duty straight nut can be used to fasten 3rd party items directly to any of our 40-6 series profiles using a 6mm fastener.	

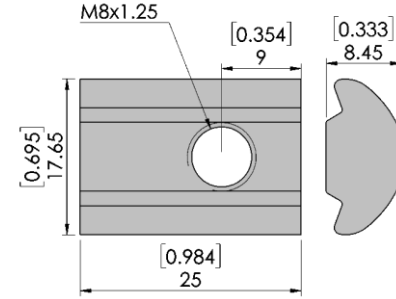
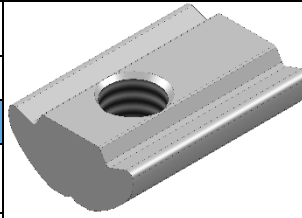
**M6X1.0 39MM 2-HOLE NUT – 10 PK** **40HSN-3407-002-01**

Material	1018 Steel	
Finish	Clear Zinc	
	<b>Metric</b>	<b>SAE</b>
Package Weight (Per 10 Pack)	0.31 kg [312 g]	0.69 lb [11 oz]
Description/Use	Primarily used for the double threaded insert on our 40-6 series profiles, but can also serve as a way to attach 3rd party items.	

## M8X1.25 25MM 1-HOLE NUT – 10 PK

40HSN-3507-001-01

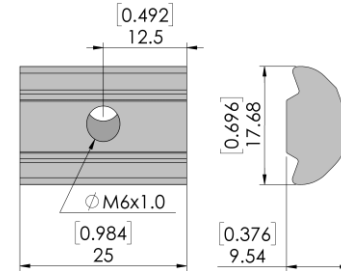
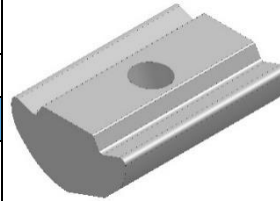
Material	1018 Steel	
Finish	Clear Zinc	
	<b>Metric</b>	<b>SAE</b>
Package Weight (Per 10 Pack)	0.19 kg [193 g]	0.43 lb [6.8 oz]
Description/Use	This heavy duty straight nut allows you to attach 3rd party items to our 40-6 series profiles using an 8mm fastener.	



## M6X1.0 25MM 1-HOLE ANGLE NUT – 10 PK

40HAN-3407-001-01

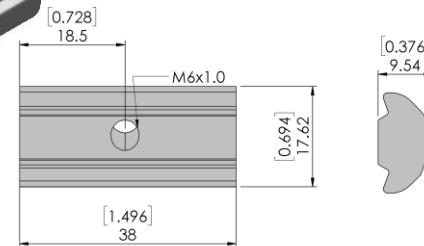
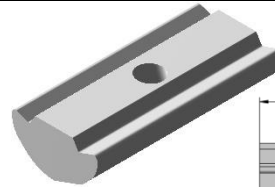
Material	1018 Steel	
Finish	Clear Zinc	
	<b>Metric</b>	<b>SAE</b>
Package Weight (Per 10 Pack)	0.22 kg [221 g]	0.49 lb [7.8 oz]
Description/Use	40mm SD Corner Bracket Kit 40-6 Threaded Insert w/ 20° Nut Kit	



## M6X1.0 38MM 1-HOLE ANGLE NUT – 10 PK

40HAN-3407-008-01

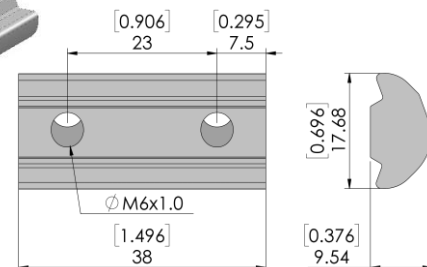
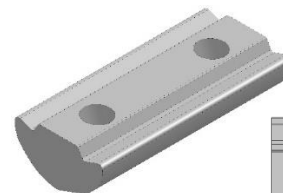
Material	1018 Steel	
Finish	Clear Zinc	
	<b>Metric</b>	<b>SAE</b>
Package Weight (Per 10 Pack)	0.76 kg [757 g]	1.67 lb [26.7 oz]
Description/Use	Angle Rivet Kits	

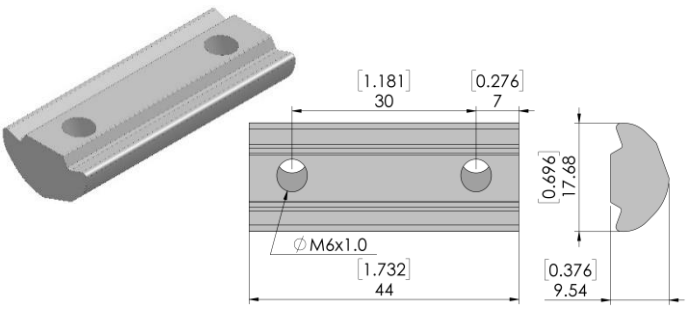


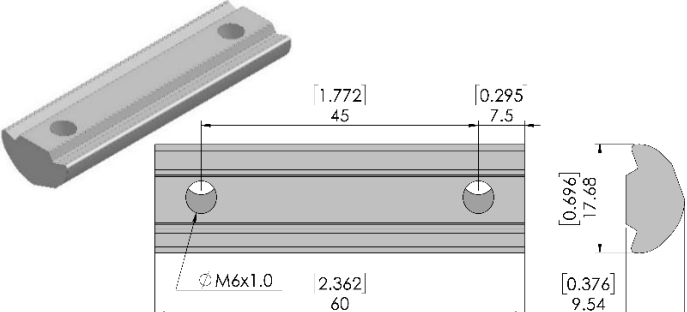
## M6X1.0 38MM 2-HOLE ANGLE NUT – 10 PK

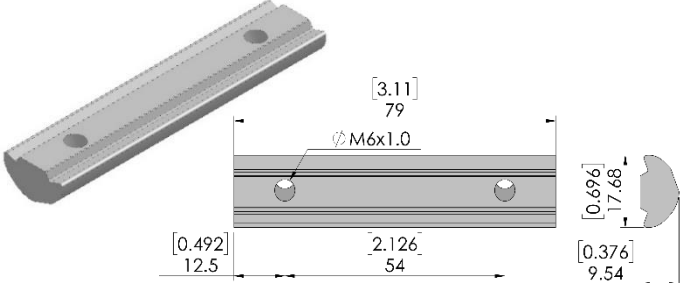
40HAN-3407-007-01

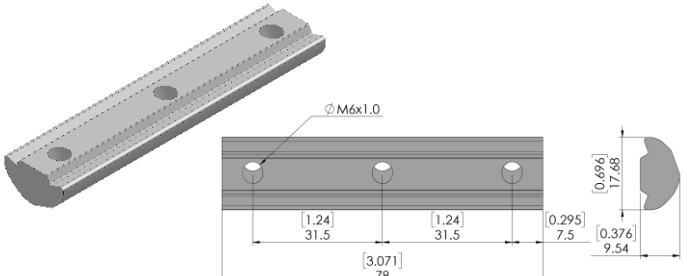
Material	1018 Steel	
Finish	Clear Zinc	
	<b>Metric</b>	<b>SAE</b>
Package Weight (Per 10 Pack)	0.33 kg [330 g]	0.73 lb [11.6 oz]
Description/Use	40mm 3-Way Corner Bracket Kit Inline Pivot Kit	



M6X1.0 44MM 2-HOLE ANGLE NUT – 10 PK			40HAN-3407-003-01
Material	1018 Steel		
Finish	Clear Zinc		
	<b>Metric</b>	<b>SAE</b>	
Package Weight (Per 10 Pack)	0.39 kg [386 g]	0.85 lb [13.6 oz]	
Description/Use	40mm LH/RH Inside/Outside Hinge Kit Adjustable Angle Plate Kit 40mm/80mm SD Butt Joining Plate Kit		

M6X1.0 60MM 2-HOLE ANGLE NUT – 10 PK			40HAN-3407-005-01
Material	1018 Steel		
Finish	Clear Zinc		
	<b>Metric</b>	<b>SAE</b>	
Package Weight (Per 10 Pack)	0.54 kg [536 g]	1.18 lb [18.9 oz]	
Description/Use	Most commonly used nut. Found in: 3-Way Corner Bracket Kits, Foot Anchor Kits, 80mm Corner Bracket Kits, 40mm Adj. Angle Bracket Kits		

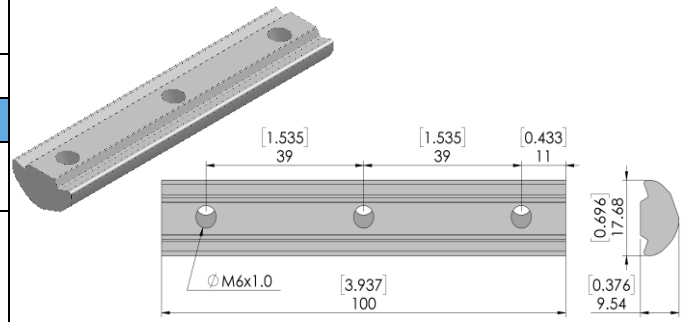
M6X1.0 79MM 2-HOLE ANGLE NUT – 10 PK			40HAN-3407-004-01
Material	1018 Steel		
Finish	Clear Zinc		
	<b>Metric</b>	<b>SAE</b>	
Package Weight (Per 10 Pack)	0.715 kg [715 g]	1.58 lb [25.2 oz]	
Description/Use	40mm HD Corner Bracket Kit 40mm Adjustable Angle Bracket Kits 40mm Pivot Bracket Kits		

M6X1.0 78MM 3-HOLE ANGLE NUT – 10 PK			40HAN-3407-009-01
Material	1018 Steel		
Finish	Clear Zinc		
	<b>Metric</b>	<b>SAE</b>	
Package Weight (Per 10 Pack)	0.69 kg [692 g]	1.52 lb [24.4 oz]	
Description/Use	80mm 3-Way Corner Bracket Kit 80m 3-Way Recessed Corner Bracket Kits		

## M6X1.0 100MM 3-HOLE ANGLE NUT – 10 PK

40HAN-3407-002-01

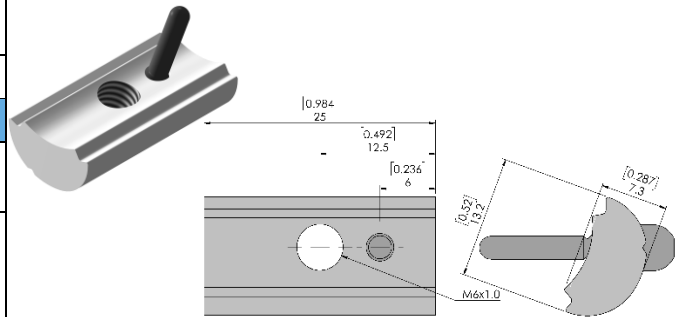
Material	1018 Steel	
Finish	Clear Zinc	
	<b>Metric</b>	<b>SAE</b>
Package Weight (Per 10 Pack)	0.90 kg [898 g]	1.98 lb [31.7 oz]
Description/Use	40mm 90° 3x3 Hole Joining Plate Kit 40mm/80mm HD Butt Joining Plate Kits	



## NEW – M6X1.0X25MM ROLL IN 1-HOLE ANGLE NUT – 10 PK

40HAN-3307-001-01

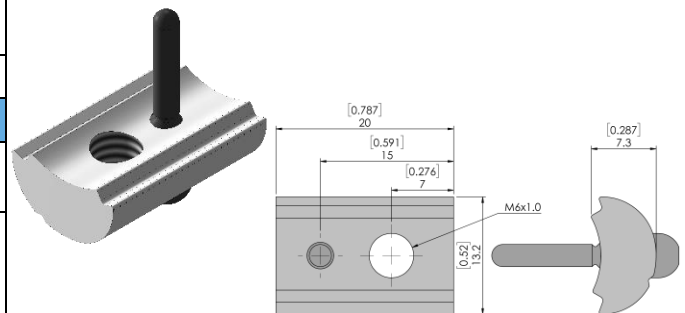
Material	1018 Steel	
Finish	Clear Zinc	
	<b>Metric</b>	<b>SAE</b>
Package Weight (Per 10 Pack)	0.12 kg [121 g]	0.27 lb [4.27 oz]
Description/Use	This item can be used to fasten AngleLock components to already assembled structures that use our profiles. The flexible handle/stopper keeps the nut in place when inserted from the profile ends or side.	



## NEW – M6X1.0X20MM ROLL IN 1-HOLE STANDARD NUT – 10 PK

40HSN-3307-001-01

Material	1018 Steel	
Finish	Clear Zinc	
	<b>Metric</b>	<b>SAE</b>
Package Weight (Per 10 Pack)	0.09 kg [94 g]	0.21 lb [3.32 oz]
Description/Use	This item can be used to fasten 3rd party items directly to already assembled structures that use AngleLock's 40-6 series profiles. The flexible handle/stopper keeps the nut in place when inserted from the profile ends or side.	



M6X1.0 DROP-IN NUT – 10 PK			40HDI-3407-002-01
Material	1018 Steel		
Finish	Clear Zinc		
	<b>Metric</b>	<b>SAE</b>	
Package Weight (Per 10 Pack)	0.47 kg [474 g]	1.05 lb [16.7 oz]	
Description/Use	This item can be used to fasten 3rd party items directly to any of our 40-6 series profiles using a 6mm fastener.		

M6X1.0X25MM DROP-IN T-STUD – 10 PK			40HDI-3407-001-01
Material	1018 Steel		
Finish	Clear Zinc		
	<b>Metric</b>	<b>SAE</b>	
Package Weight (Per 10 Pack)	1.14 kg [1140 g]	2.5 lb [40 oz]	
Description/Use	This item can be used to fasten 3rd party items directly to any of our 40-6 series profiles using a 6mm fastener.		

M8X1.25X25MM DROP-IN T-STUD – 10 PK			40HDI-3507-001-01
Material	1018 Steel		
Finish	Clear Zinc		
	<b>Metric</b>	<b>SAE</b>	
Package Weight (Per 10 Pack)	1.16 kg [1157 g]	2.6 lb [40.8 oz]	
Description/Use	This item can be used to fasten 3rd party items directly to any of our 40-6 series profiles using an 8mm fastener.		

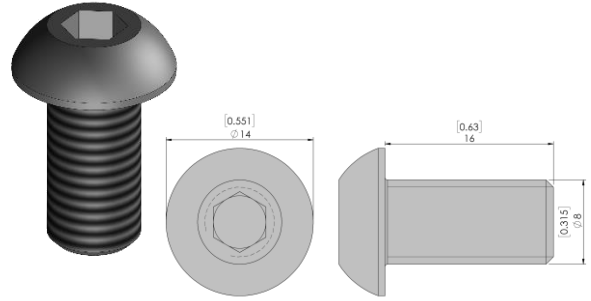
M6X1.0X20MM 12.9 FLANGED SHCS – 10 PK			00HSW-3507-202-01
Material	Steel		
Finish	Zinc Flake		
	<b>Metric</b>	<b>SAE</b>	
Package Weight (Per 10 Pack)	0.08 kg [80 g]	0.18 lb [2.8 oz]	
Description/Use	Used in most AngleLock products		

- SOLUTIONS
- PROFILES
- COMPONENTS
- MOTION
- DOORS & FLOORS
- ACCESSORIES
- HARDWARE

## M8X16MM BUTTON SHCS – 10 PK

00HSW-3401-502-01

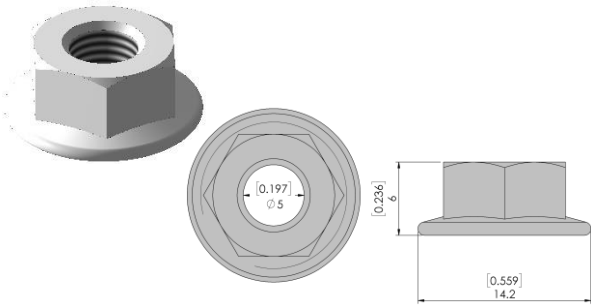
Material	Steel	
Finish	Black Oxide	
	<b>Metric</b>	<b>SAE</b>
Package Weight (Per 10 Pack)	0.09 kg [90 g]	0.198 lb [3.17 oz]
Description/Use	Used in some AngleLock products	



## M6X1.0 10.9 FLANGE NUT – 10 PK

00HNT-3407-200-01

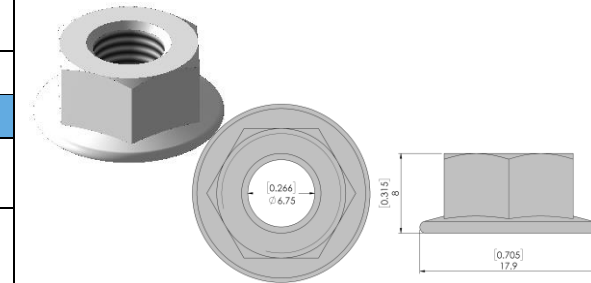
Material	Steel	
Finish	Clear Zinc	
	<b>Metric</b>	<b>SAE</b>
Package Weight (Per 10 Pack)	0.017kg [17 g]	0.08 lb [1.3 oz]
Description/Use	Used in panel retainer kits	



## M8X1.25 10.9 FLANGE NUT – 10 PK

00HNT-3407-201-01

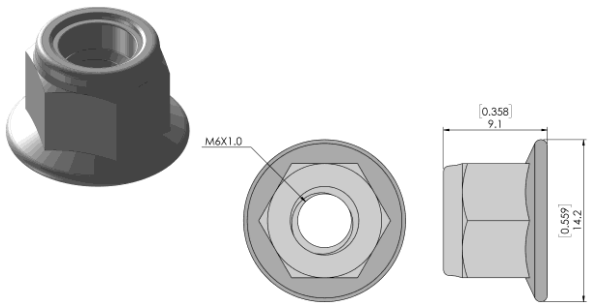
Material	Steel	
Finish	Clear Zinc	
	<b>Metric</b>	<b>SAE</b>
Package Weight (Per 10 Pack)	0.08 kg [78 g]	0.17 lb [2.8 oz]
Description/Use	Used in panel retainer kits	



## M6X1.0 10.9 NYLON INSERT FLANGE LOCKNUT – 10 PK

00HNT-3407-300-01

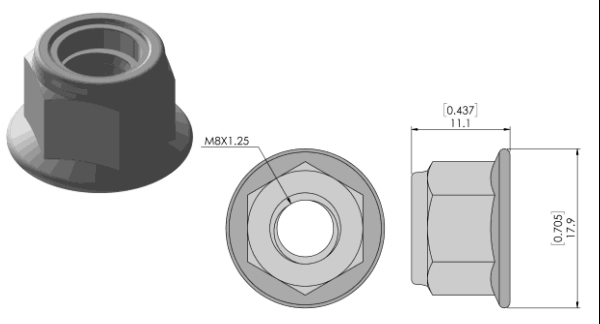
Material	Steel	
Finish	Clear Zinc	
	<b>Metric</b>	<b>SAE</b>
Package Weight (Per 10 Pack)	0.04kg [37 g]	0.08 lb [1.3 oz]
Description/Use	Used in panel retainer kits	





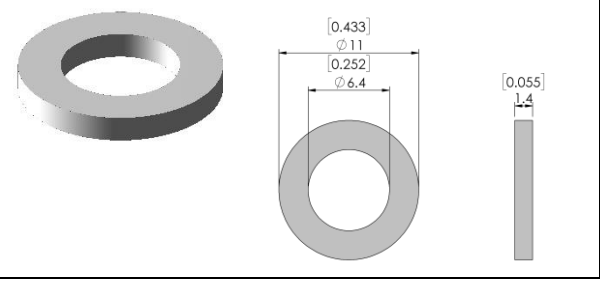
**M8X1.25 10.9 NYLON INSERT FLANGE LOCKNUT – 10 PK** **00HNT-3407-301-01**

Material	Steel	
Finish	Clear Zinc	
	<b>Metric</b>	<b>SAE</b>
Package Weight (Per 10 Pack)	0.08 kg [78 g]	0.17 lb [2.8 oz]
Description/Use	Used in panel retainer kits	



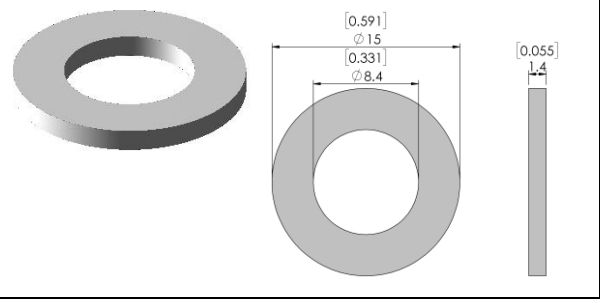
**M6 10.9 BRIGHT ZINC WASHER – 10 PK** **00HWA-3407-200-01**

Material	Steel	
Finish	Clear Zinc	
	<b>Metric</b>	<b>SAE</b>
Package Weight (Per 10 Pack)	0.007 kg [7 g]	0.015 lb [0.25 oz]
Description/Use	Used in assemblies as necessary	




**M8 10.9 BRIGHT ZINC WASHER – 10 PK** **00HWA-3407-201-01**

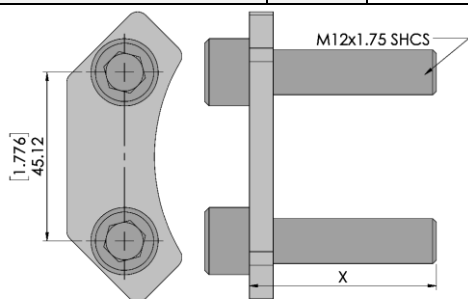
Material	Steel	
Finish	Clear Zinc	
	<b>Metric</b>	<b>SAE</b>
Package Weight (Per 10 Pack)	0.013 kg [13 g]	0.03 lb [0.46 oz]
Description/Use	Used in assemblies as necessary	



## 3-WAY CORNER BRACKET WASHER PLATES

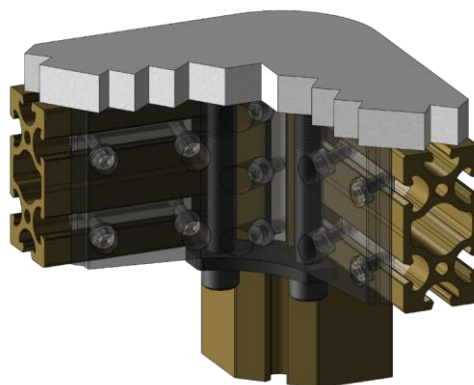
40H3W-3401-001-0X

Material		1020 Steel		
Finish		Black Zinc		
	Screw Length (mm)	Metric	SAE	
Available Size(s):				
40H3W-3401-001-00	NA	0.07 kg [71 g]	0.16 lb [2.5 oz]	
40H3W-3401-001-01	50	0.20 kg [196 g]	0.43 lb [6.9 oz]	
40H3W-3401-001-02	55	0.20 kg [205 g]	0.45 lb [7.2 oz]	
40H3W-3401-001-03	65	0.22 kg [222 g]	0.49 lb [7.8 oz]	
40H3W-3401-001-04	70	0.23 kg [231 g]	0.51 lb [8.1 oz]	
40H3W-3401-001-05	90	0.27 kg [266 g]	0.59 lb [9.4 oz]	
40H3W-3401-001-06	100	0.28 kg [283 g]	0.62 lb [9.9 oz]	
40H3W-3401-001-07	110	0.30 kg [300 g]	0.66 lb [10.6 oz]	



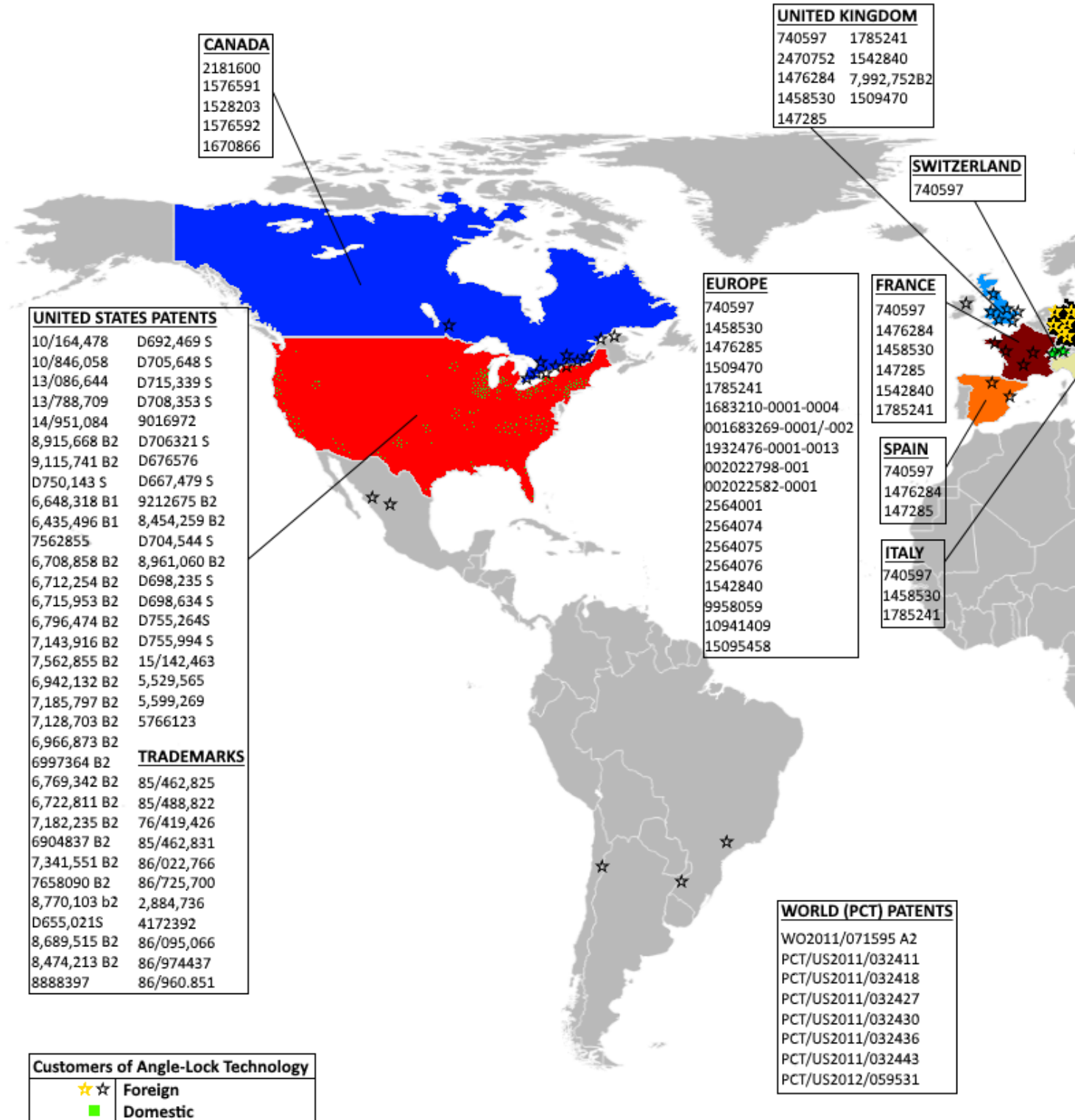
### Quick Tip:

Securely mount plates through the 40mm and 80mm 3-way corner brackets (pg 30 and 30) using these washer plates. Holes are sized to accept a M12 screw.

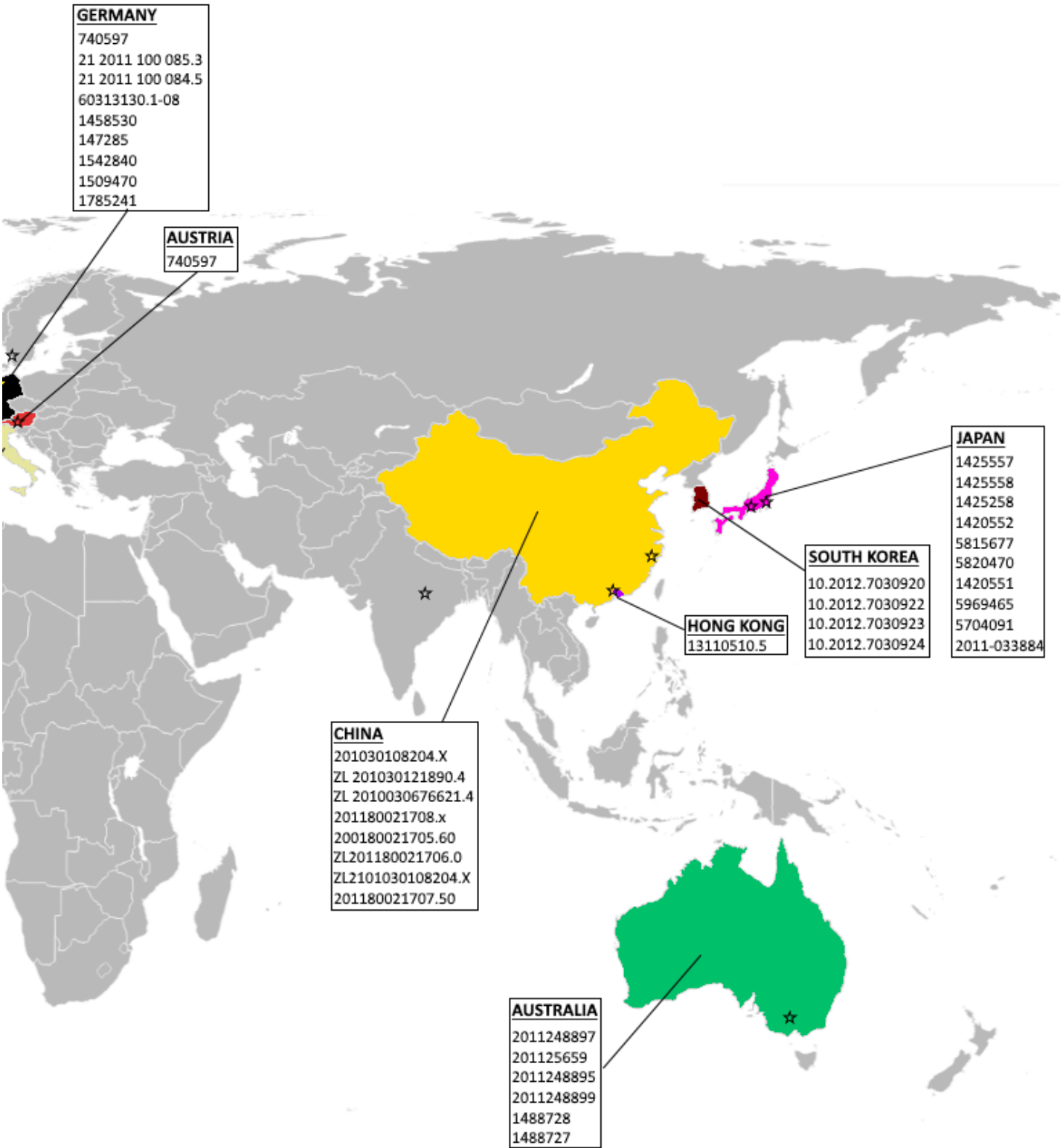




## Patents and Trademarks Held By



# Controlled Dynamics Holdings, Inc.



## Patent Information

**UNITED STATES:** 10/164,478, 10/846,058, 13/086,644, 13/788,709, 14/951,084, 8,915,668 B2, 9,115,741 B2, D750,143 S, 6,648,318 B1, 6,435,496 B1, 7562855, 6,708,858 B2, 6,712,254 B2, 6,715,953 B2, 6,796,474 B2, 7,143,916 B2, 7,562,855 B2, 6,942,132 B2, 7,185,797 B2, 7,128,703 B2, 6,966,873 B2, 6997364 B2, 6,769,342 B2, 6,722,811 B2, 7,182,235 B2, 6904837 B2, 7,341,551 B2, 7658090 B2, 8,770,103 B2, D655,021S, 8,689,515 B2, 8,474,213 B2, 8888397, D692,469 S, D705,648 S, D715,339 S, D708,353 S, 9016972, D706321 S, D676576, D667,479 S, 9212675 B2, 8,454,259 B2, D704,544 S, 8,961,060 B2, D698,235 S, D698,634 S, D755,264S, D755,994 S, 15/142,463, 5,529,565, 5,599,269, 5766123

**EUROPE:** 740597, 1458530, 1476285, 1509470, 1785241, 1683210-0001-0004, 001683269-0001/-002, 1932476-0001-0013, 002022798-001, 002022582-0001, 2564001, 2564074, 2564075, 2564076, 1542840

**UNITED KINGDOM:** 740597, 2470752, 1476284, 1458530, 147285, 1785241, 1542840, 7,992,752B2, 1509470

**CANADA:** 1576591, 1528203, 1576592, 1670866, 2181600

**AUSTRALIA:** 1488728, 1488727, 2011248897, 201125659, 2011248895, 2011248899

**AUSTRIA:** 740597

**CHINA:** 201030108204.X, ZL 201030121890.4, ZL 2010030676621.4, 201180021708.x, 200180021705.60, ZL201180021706.0, ZL2101030108204.X, 201180021707.50

**FRANCE:** 740597, 1476284, 1458530, 147285, 1542840, 1785241

**GERMANY:** 740597, 21 2011 100 085.3, 21 2011 100 084.5, 60313130.1-08, 1458530, 147285, 1542840, 1509470, 1785241

**HONG KONG:** 13110510.5

**ITALY:** 740597, 1458530, 1785241

**JAPAN:** 5704091, 2011-033884, 1425557, 1425558, 1425258, 1420552, 5815677, 5820470, 1420551, 5969465

**KOREA:** 10.2012.7030920, 10.2012.7030922, 10.2012.7030923, 10.2012.7030924

**SPAIN:** 740597, 1476284, 147285

**SWITZERLAND:** 740597

**PCT (PATENT COOPERATION TREATY):** WO2011/071595 A2, PCT/US2011/032411, PCT/US2011/032418, PCT/US2011/032427, PCT/US2011/032430, PCT/US2011/032436, PCT/US2011/032443, PCT/US2012/059531

For the most updated information, please visit our patents page at:

<https://anglelock.com/pages/patents>



