

ANGLE

LOCK™

CONTROLLED  
DYNAMICS

the strength of  
a simple *IDEA*®



2024 (rev 2)

Product Catalog

[www.anglelock.com](http://www.anglelock.com)

STRUCTURAL ALUMINUM SYSTEMS

For the most up-to-date information and offerings from AngleLock please refer to our website:



[www.anglelock.com](http://www.anglelock.com)

Or contact us at:



(262) 421 – 8840



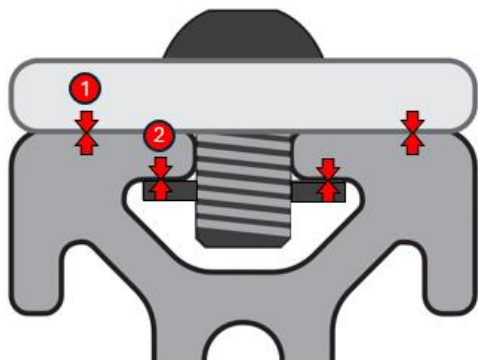
[sales@anglelock.com](mailto:sales@anglelock.com)



1058 Overland Court,  
Grafton, WI 53024

# MODULAR ALUMINUM STRUCTURES

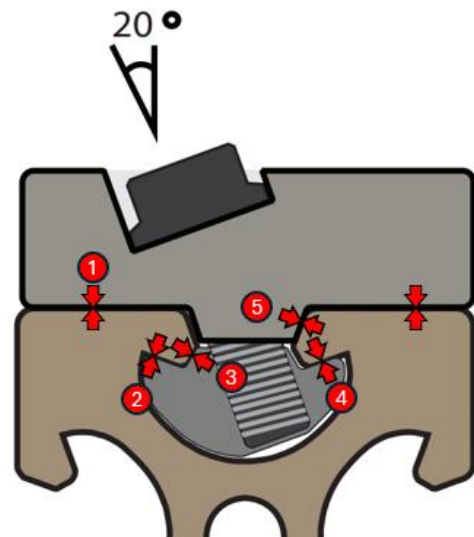
Common T-slot structures use **slip-critical** bolted connections that rely on friction in a single plane. AngleLock creates a precision **fixed** connection in multiple planes that self-aligns and won't loosen with vibration.



**T-slot Technology**

- Relies on friction (**unpredictable**)
- Tightening pushes lobes apart (**deforms structure**)
- Connections loosen with vibration (**frequent maintenance**)

VS



- Fixed connection (**predictable**)
- Tightening draws lobes together (**aligns structure**)
- Does not loosen with vibration (**ZERO maintenance**)

## Our Mission

At AngleLock, our mission is to provide a more versatile alternative to traditional T-slot structural aluminum systems – further expanding the potential of aluminum as the preferred material for structural applications. We realize our mission by manufacturing precision engineered structural aluminum products that are the epitome of quality, strength, and value.

## An Engineered Solution

Our patented AngleLock fastening system creates mechanically fixed joints, allowing for the full capabilities of the profile to be used. Higher grade (12.9) fasteners allow the bolts to stretch slightly when tightened to specification, making a spring effect which dramatically improves resistance to failure. It also enables assemblies to stay in perfect alignment in both static and dynamic situations.

## Distinct Industrial Finish

Superior, Type II Architectural Class I (18-micron thickness) anodizing on profiles provides the highest level of protection available to resist outdoor and industrial hazards such as scratches, corrosion, and UV fading. Standard components have a Class II (10 micron) black anodized finish.

## Maximized Potential

Our profiles and components are specifically engineered for maximum strength and performance. Lightweight and highly configurable, the AngleLock system assembles, disassembles, and moves with ease, allowing for effortless customization.

## Lower Cost of Ownership

Best of all, your overall costs and frustrations from purchasing to end of life are lower when you consider:

- 1) Components are ordered as complete kits that include everything you need.
- 2) Preassembled, self-aligning components mean faster assembly.
- 3) The patented fastening system ensures assemblies stay together with no ongoing maintenance issues.

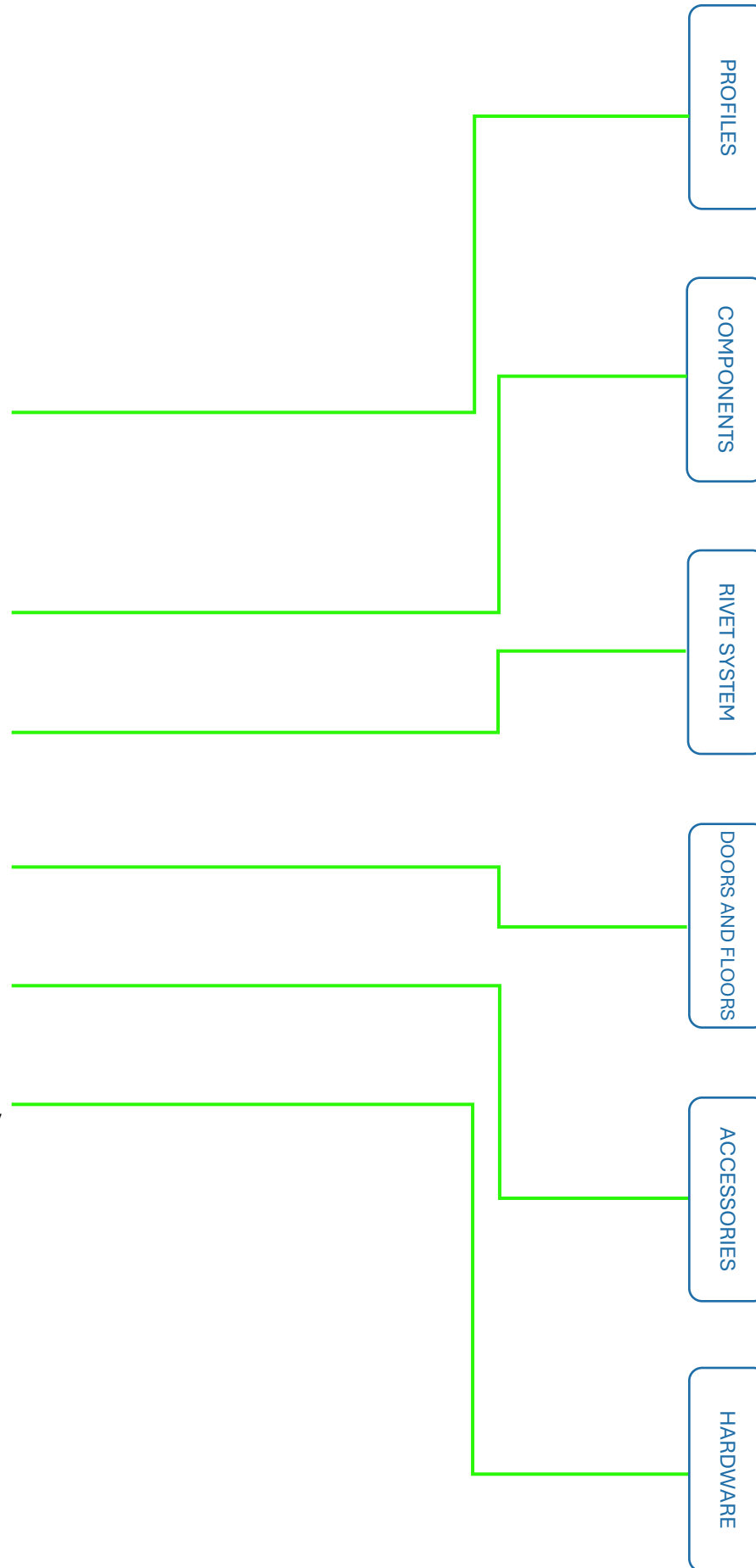
## Faster Assembly

Innovative components and fastening methods mean no machining or special tools are required to assemble your designs. Unique, precision alignment shoulders built into all components eliminate profile skewing and enable rapid assembly without having to align and re-align completed assemblies. Our framing system technology is faster, easier, and more dynamic than the rest!

# Catalog Navigation

Products in this catalog are organized into Profiles, Components, Rivet System, Doors and Floors, Accessories, and Hardware. Easily find the desired section utilizing the tabs located to the right.

- **PROFILES:** the aluminum extrusion shapes available with our AngleLock fastening system. They are available in lengths ranging from 20mm (1in) to 3683mm (145in) and in some cases 25mm (1in) to 6120mm (241in).
- **COMPONENTS:** the brackets and adapters needed to connect profiles together and meet other project needs.
- **RIVET SYSTEM:** a flexible system of parts that pushes the boundaries of what's capable within your structural aluminum project.
- **DOORS AND FLOORS:** related items include hinges, leveling feet, casters, and handles.
- **ACCESSORIES:** additional items you may need to complete your structural aluminum project.
- **HARDWARE:** bulk fasteners, drop-in fasteners, and straight nuts to attach nearly anything to our profiles.




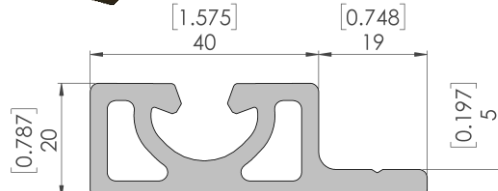
## Profiles

AngleLock profiles are specifically engineered for maximum strength, performance, and precision. These unique tight-tolerance profiles work in conjunction with our patented AngleLock fastening system to provide a fixed joint. Profiles are available in full lengths or cut to your specifications, and are offered in three color finishes: our signature Light Bronze Anodized, Black Anodized, or Clear Anodized. All finishes are a Type II Architectural Class I Anodize.

	Description	Part Number	Page
40 Series Profiles	20X40 1 SLOT SINGLE FLANGE STANDARD DUTY	40P04-101X-010	7
	20X40 1 SLOT DOUBLE FLANGE STANDARD DUTY	40P04-101X-000	7
	20X120 3-SLOT LIGHT DUTY WITH PANEL GROOVE	40P03-303X-000	7
	40X40 4-SLOT STANDARD DUTY	40P04-114X-000	8
	40X40 4-SLOT HEAVY DUTY	40P05-114X-000	8
	40X40 3-SLOT STANDARD DUTY	40P04-113X-010	8
	40X40 3-SLOT SINGLE FLANGE STANDARD DUTY	40P04-113X-020	9
	40X40 2-SLOT 90° STANDARD DUTY	40P04-112X-000	9
	40X40 2-SLOT 180° STANDARD DUTY	40P04-115X-000	9
	40MM HAND RAIL LIGHT DUTY	40P03-001X-000	10
	40X80 6-SLOT HEAVY DUTY	40P05-124X-000	10
	40X80 3-SLOT 90° STANDARD DUTY	40P04-122X-000	10
	40X120 8-SLOT STANDARD DUTY	40P04-134X-000	11
	40X120 4-SLOT 90° STANDARD DUTY	40P04-132X-000	11
	50X80 4-SLOT SINGLE FLANGE LIGHT DUTY	40P03-123X-010	11
	55X55 3-SLOT 45° OUTSIDE CORNER STANDARD DUTY	40P04-113X-000	12
	70X70 3-SLOT 3-WAY CORNER STANDARD DUTY	40P04-773X-000	12
	70X70 1-SLOT 3-WAY CORNER STANDARD DUTY	40P04-771X-000	12
	70X70 3-SLOT 3-WAY INSET PANEL STANDARD DUTY	40P04-773X-010	13
	80X80 8-SLOT HEAVY DUTY	40P05-224X-000	13
80X120 10-SLOT LIGHT DUTY	40P03-234X-000	13	
80X120 10-SLOT STANDARD DUTY	40P04-234X-000	14	
90X90 4-SLOT INSIDE CORNER STANDARD DUTY	40P04-992X-000	14	


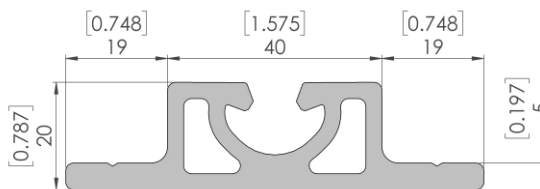
**20X40 1 SLOT SINGLE FLANGE STANDARD DUTY**

**40P04-101X-010**

Material	6005-T5		 
Finish/Color: Type II, Architectural Class I Anodize	Light Bronze	40P04-1012-010	
	Black	40P04-1011-010	
	Clear	40P04-1014-010	
	<b>Metric</b>	<b>SAE</b>	
Weight Per Length	1.442 kg/m	0.969 lb/ft	
Available Length(s):	40P04-101X-010 3683 mm 40P04-101X-01C 25 - 3683 mm	145" 1" to 145"	
Cross-Sectional Area	5.339 cm <sup>2</sup>	0.828 in <sup>2</sup>	
Moment of Inertia	$I_x=2.311 \text{ cm}^4$ $I_y=13.864 \text{ cm}^4$	$I_x=0.056 \text{ in}^4$ $I_y=0.333 \text{ in}^4$	

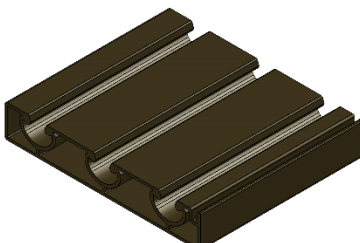
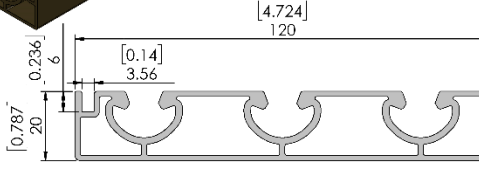
**20X40 1 SLOT DOUBLE FLANGE STANDARD**

**40P04-101X-000**

Material	6005-T5		 
Finish/Color: Type II, Architectural Class I Anodize	Light Bronze	40P04-1012-000	
	Black	40P04-1011-000	
	Clear	40P04-1014-000	
	<b>Metric</b>	<b>SAE</b>	
Weight Per Length	1.700 kg/m	1.143 lb/ft	
Available Length(s):	40P04-101X-000 3683 mm 40P04-101X-00C 25 - 3683 mm	145" 1" to 145"	
Cross-Sectional Area	6.297 cm <sup>2</sup>	0.976 in <sup>2</sup>	
Moment of Inertia	$I_x=2.583 \text{ cm}^4$ $I_y=23.784 \text{ cm}^4$	$I_x=0.062 \text{ in}^4$ $I_y=0.571 \text{ in}^4$	

**20X120 3-SLOT LIGHT DUTY WITH PANEL**

**40P03-303X-000**

Material	6005-T5		 
Finish/Color: Type II, Architectural Class I Anodize	Light Bronze	40P03-3032-000	
	Black	40P03-3031-000	
	Clear	40P03-3034-000	
	<b>Metric</b>	<b>SAE</b>	
Weight Per Length	1.816 kg/m	1.220 lb/ft	
Available Length(s):	40P04-303X-000 3683 mm 40P04-303X-00C 25 - 3683 mm	145" 1" to 145"	
Cross-Sectional Area	6.727 cm <sup>2</sup>	1.043 in <sup>2</sup>	
Moment of Inertia	$I_x=3.552 \text{ cm}^4$ $I_y=92.294 \text{ cm}^4$	$I_x=0.085 \text{ in}^4$ $I_y=2.217 \text{ in}^4$	

PROFILES

COMPONENTS

RIVET SYSTEM

DOORS AND FLOORS

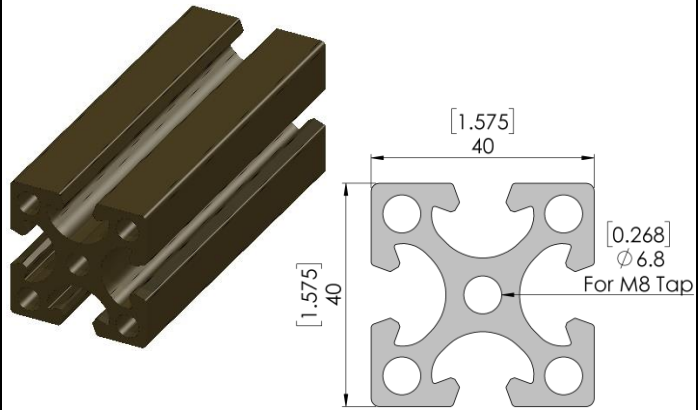
ACCESSORIES

HARDWARE

## 40X40 4-SLOT STANDARD DUTY

40P04-114X-000

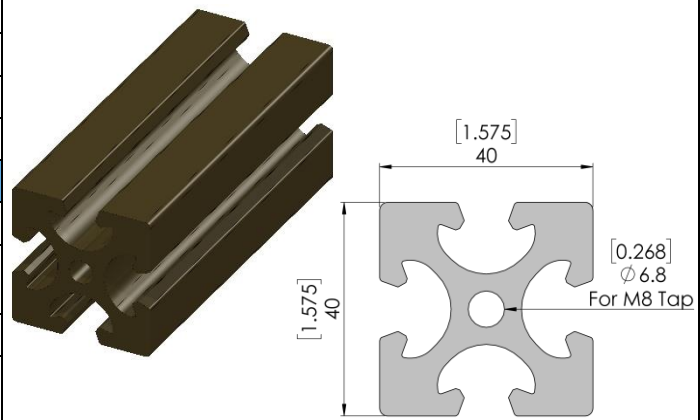
Material	6005-T5		
Finish/Color: Type II, Architectural Class I Anodize	Light Bronze	40P04-1142-000	
	Black	40P04-1141-000	
	Clear	40P04-1144-000	
	Metric	SAE	
Weight Per Length	1.962 kg/m	1.318 lb/ft	
Available Length(s):	40P04-114X-000 40P04-114X-00C	3683 mm 25 - 3683 mm	145" 1" to 145"
Cross-Sectional Area	7.266 cm <sup>2</sup>	1.126 in <sup>2</sup>	
Moment of Inertia	$I_x=11.112 \text{ cm}^4$ $I_y=11.112 \text{ cm}^4$	$I_x=0.267 \text{ in}^4$ $I_y=0.267 \text{ in}^4$	



## 40X40 4-SLOT HEAVY DUTY

40P05-114X-000

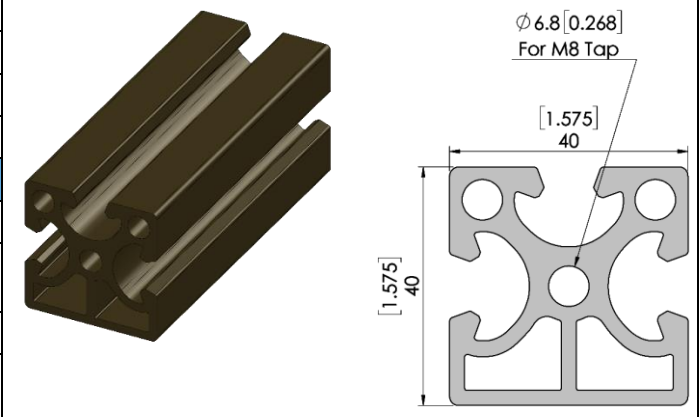
Material	6005-T5		
Finish/Color: Type II, Architectural Class I Anodize	Light Bronze	40P05-1142-000	
	Black	40P05-1141-000	
	Clear	40P05-1144-000	
	Metric	SAE	
Weight Per Length	2.350 kg/m	1.579 lb/ft	
Available Length(s):	40P05-114X-000 40P05-114X-00C	3683 mm 25 - 3683 mm	145" 1" to 145"
Cross-Sectional Area	8.705 cm <sup>2</sup>	1.349 in <sup>2</sup>	
Moment of Inertia	$I_x=14.268 \text{ cm}^4$ $I_y=14.268 \text{ cm}^4$	$I_x=0.343 \text{ in}^4$ $I_y=0.343 \text{ in}^4$	



## 40X40 3-SLOT STANDARD DUTY

40P04-113X-010

Material	6005-T5		
Finish/Color: Type II, Architectural Class I Anodize	Light Bronze	40P04-1132-010	
	Black	40P04-1131-010	
	Clear	40P04-1134-010	
	Metric	SAE	
Weight Per Length	1.885 kg/m	1.267 lb/ft	
Available Length(s):	40P04-113X-010 40P04-113X-01C	3683 mm 25 - 3683 mm	145" 1" to 145"
Cross-Sectional Area	6.983 cm <sup>2</sup>	1.082 in <sup>2</sup>	
Moment of Inertia	$I_x=10.666 \text{ cm}^4$ $I_y=11.060 \text{ cm}^4$	$I_x=0.256 \text{ in}^4$ $I_y=0.266 \text{ in}^4$	

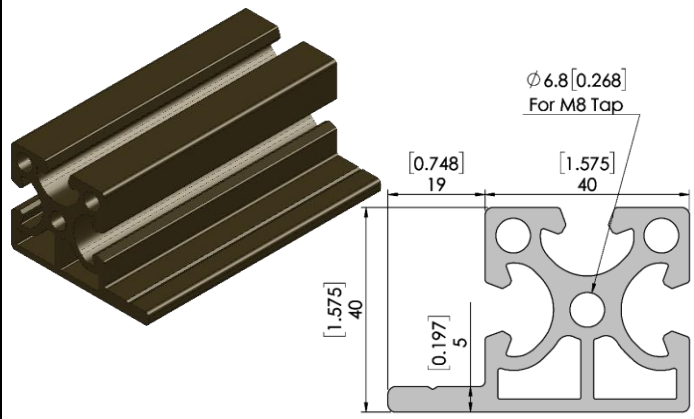




**40X40 3-SLOT SINGLE FLANGE STANDARD**

**40P04-113X-020**

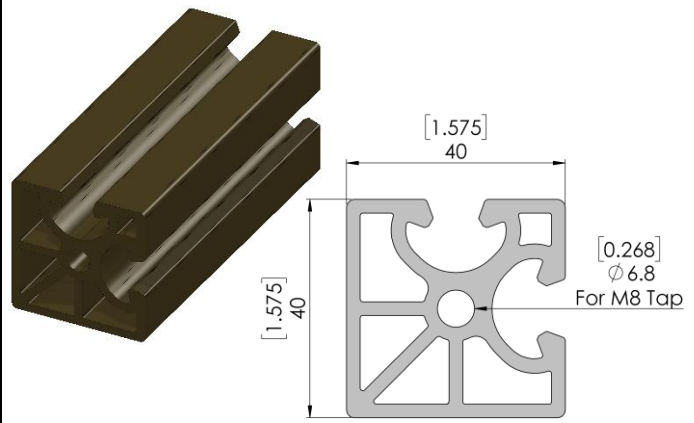
Material	6005-T5	
Finish/Color: Type II, Architectural Class I Anodize	Light Bronze	40P04-1132-020
	Black	40P04-1131-020
	Clear	40P04-1134-020
	<b>Metric</b>	<b>SAE</b>
Weight Per Length	2.140 kg/m	1.438 lb/ft
Available Length(s):	40P04-113X-020 3683 mm	40P04-113X-02C 25 - 3683 mm
Cross-Sectional Area	7.928 cm <sup>2</sup>	1.229 in <sup>2</sup>
Moment of Inertia	$I_x=11.045 \text{ cm}^4$ $I_y=20.759 \text{ cm}^4$	$I_x=0.265 \text{ in}^4$ $I_y=0.499 \text{ in}^4$



**40X40 2-SLOT 90° STANDARD DUTY**

**40P04-112X-000**

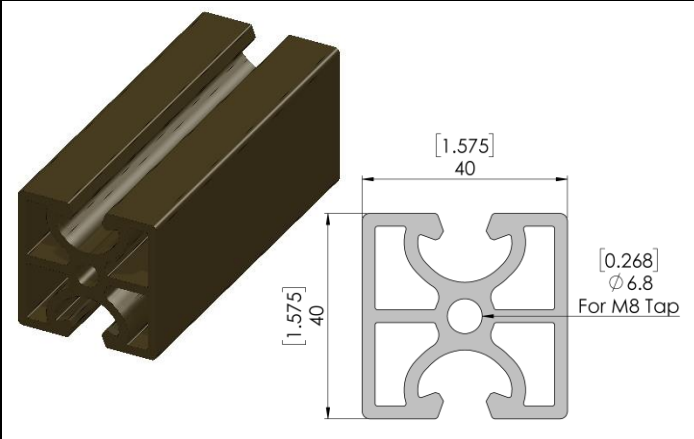
Material	6005-T5	
Finish/Color: Type II, Architectural Class I Anodize	Light Bronze	40P04-1122-000
	Black	40P04-1121-000
	Clear	40P04-1124-000
	<b>Metric</b>	<b>SAE</b>
Weight Per Length	1.907 kg/m	1.282 lb/ft
Available Length(s):	40P04-112X-000 3683 mm	40P04-112X-00C 25 - 3683 mm
Cross-Sectional Area	7.064 cm <sup>2</sup>	1.095 in <sup>2</sup>
Moment of Inertia	$I_x=11.153 \text{ cm}^4$ $I_y=11.153 \text{ cm}^4$	$I_x=0.268 \text{ in}^4$ $I_y=0.268 \text{ in}^4$



**40X40 2-SLOT 180° STANDARD DUTY**

**40P04-115X-000**

Material	6005-T5	
Finish/Color: Type II, Architectural Class I Anodize	Light Bronze	40P04-1152-000
	Black	40P04-1151-000
	Clear	40P04-1154-000
	<b>Metric</b>	<b>SAE</b>
Weight Per Length	1.809 kg/m	1.216 lb/ft
Available Length(s):	40P04-115X-000 3683 mm	40P04-115X-00C 25 - 3683 mm
Cross-Sectional Area	6.700 cm <sup>2</sup>	1.038 in <sup>2</sup>
Moment of Inertia	$I_x=10.219 \text{ cm}^4$ $I_y=11.019 \text{ cm}^4$	$I_x=0.246 \text{ in}^4$ $I_y=0.265 \text{ in}^4$



PROFILES

COMPONENTS

RIVET SYSTEM

DOORS AND FLOORS

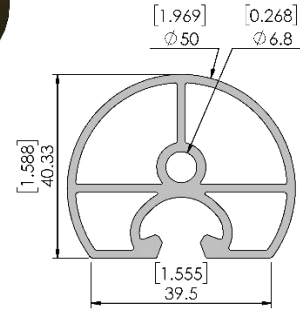
ACCESSORIES

HARDWARE

## 40MM HAND RAIL LIGHT DUTY

40P03-001X-000

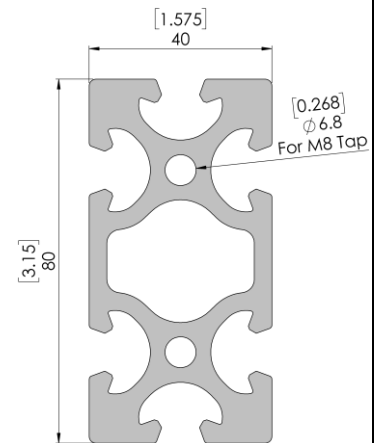
Material	6005-T5		
Finish/Color: Type II, Architectural Class I Anodize	Light Bronze	40P03-0012-000	
	Black	40P03-0011-000	
	Clear	40P03-0014-000	
	<b>Metric</b>	<b>SAE</b>	
Weight Per Length	1.313 kg/m	0.882 lb/ft	
Available Length(s):	40P03-001X-000 40P03-001X-00C	3683 mm 25 - 3683 mm	145" 1" to 145"
Cross-Sectional Area	4.863 cm <sup>2</sup>	0.754 in <sup>2</sup>	
Moment of Inertia	I <sub>x</sub> =6.841 cm <sup>4</sup> I <sub>y</sub> =9.712 cm <sup>4</sup>	I <sub>x</sub> =0.164 in <sup>4</sup> I <sub>y</sub> =0.233 in <sup>4</sup>	



## 40X80 6-SLOT HEAVY DUTY

40P05-124X-000

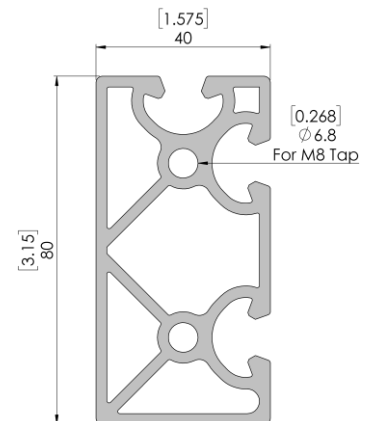
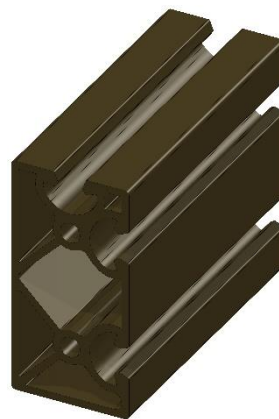
Material	6005-T5		
Finish/Color: Type II, Architectural Class I Anodize	Light Bronze	40P05-1242-000	
	Black	40P05-1241-000	
	Clear	40P05-1244-000	
	<b>Metric</b>	<b>SAE</b>	
Weight Per Length	3.950 kg/m	2.6541 lb/ft	
Available Length(s):	40P05-124X-000 40P05-124X-001 40P05-124X-00C	3683 mm 6120mm 25 - 3683 mm	145" 241" 1" to 241"
Cross-Sectional Area	14.629 cm <sup>2</sup>	2.267 in <sup>2</sup>	
Moment of Inertia	I <sub>x</sub> =97.746 cm <sup>4</sup> I <sub>y</sub> =24.970 cm <sup>4</sup>	I <sub>x</sub> =2.348 in <sup>4</sup> I <sub>y</sub> =0.600 in <sup>4</sup>	



## 40X80 3-SLOT 90° STANDARD DUTY

40P04-122X-000

Material	6005-T5		
Finish/Color: Type II, Architectural Class I Anodize	Light Bronze	40P04-1222-000	
	Black	40P04-1221-000	
	Clear	40P04-1224-000	
	<b>Metric</b>	<b>SAE</b>	
Weight Per Length	2.977 kg/m	2.000 lb/ft	
Available Length(s):	40P04-122X-000 40P04-122X-00C	3683 mm 25 - 3683 mm	145" 1" to 145"
Cross-Sectional Area	11.025 cm <sup>2</sup>	1.709 in <sup>2</sup>	
Moment of Inertia	I <sub>x</sub> =73.301 cm <sup>4</sup> I <sub>y</sub> =19.907 cm <sup>4</sup>	I <sub>x</sub> =1.761 in <sup>4</sup> I <sub>y</sub> =0.478 in <sup>4</sup>	



**40X120 8-SLOT STANDARD DUTY** **40P04-134X-000**

Material	6005-T5		
Finish/Color: Type II, Architectural Class I Anodize	Light Bronze	40P04-1342-000	
	Black	40P04-1341-000	
	Clear	40P04-1344-000	
	<b>Metric</b>	<b>SAE</b>	
Weight Per Length	4.356 kg/m	2.927 lb/ft	
Available Length(s):	40P04-134X-000 40P04-134X-00C	3683 mm 25 - 3683 mm	145" 1" to 145"
Cross-Sectional Area	16.135 cm <sup>2</sup>	2.501 in <sup>2</sup>	
Moment of Inertia	$I_x=243.149 \text{ cm}^4$ $I_y=28.296 \text{ cm}^4$	$I_x=5.842 \text{ in}^4$ $I_y=0.680 \text{ in}^4$	

**40X120 4-SLOT 90° STANDARD DUTY** **40P04-132X-000**

Material	6005-T5		
Finish/Color: Type II, Architectural Class I Anodize	Light Bronze	40P04-1322-000	
	Black	40P04-1321-000	
	Clear	40P04-1324-000	
	<b>Metric</b>	<b>SAE</b>	
Weight Per Length	4.184 kg/m	2.812 lb/ft	
Available Length(s):	40P04-132X-000 40P04-132X-00C	3683 mm 25 - 3683 mm	145" 1" to 145"
Cross-Sectional Area	15.497 cm <sup>2</sup>	2.402 in <sup>2</sup>	
Moment of Inertia	$I_x=222.944 \text{ cm}^4$ $I_y=28.883 \text{ cm}^4$	$I_x=5.355 \text{ in}^4$ $I_y=0.694 \text{ in}^4$	

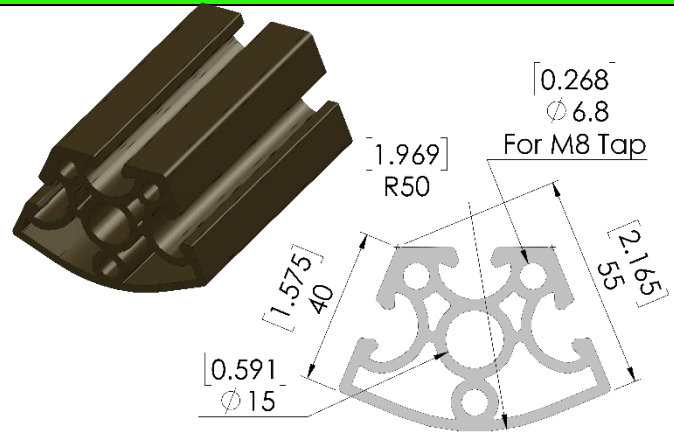
**50X80 4-SLOT SINGLE FLANGE LIGHT DUTY** **40P03-123X-010**

Material	6005-T5		
Finish/Color: Type II, Architectural Class I Anodize	Light Bronze	40P03-1232-010	
	Black	40P03-1231-010	
	Clear	40P03-1234-010	
	<b>Metric</b>	<b>SAE</b>	
Weight Per Length	3.042 kg/m	2.044 lb/ft	
Available Length(s):	40P03-123X-010 40P03-123X-011 40P03-123X-01C	3683 mm 6120mm 25 - 3683 mm	145" 241" 1" to 241"
Cross-Sectional Area	11.265 cm <sup>2</sup>	1.746 in <sup>2</sup>	
Moment of Inertia	$I_x=34.777 \text{ cm}^4$ $I_y=95.7833 \text{ cm}^4$	$I_x=0.8355 \text{ in}^4$ $I_y=2.3012 \text{ in}^4$	

## 55X55 3-SLOT 45° OUTSIDE CORNER

40P04-113X-000

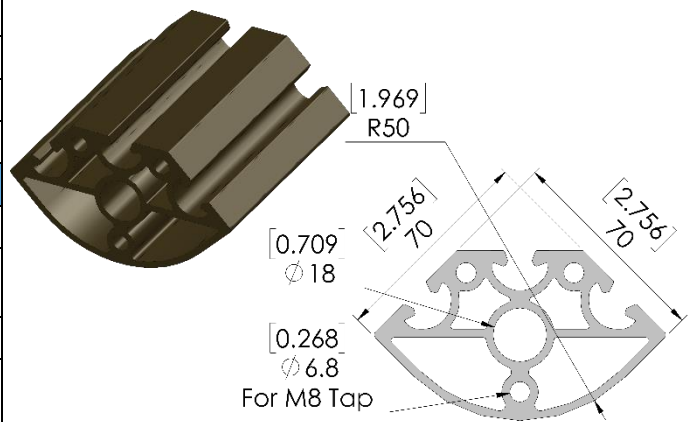
Material	6005-T5	
Finish/Color: Type II, Architectural Class I Anodize	Light Bronze	40P04-1132-000
	Black	40P04-1131-000
	Clear	40P04-1134-000
	Metric	SAE
Weight Per Length	2.815 kg/m	1.892 lb/ft
Available Length(s):	40P04-113X-000 3683 mm	40P04-113X-00C 25 - 3683 mm
	145"	1" to 145"
Cross-Sectional Area	10.64 cm <sup>2</sup>	1.65 in <sup>2</sup>
Moment of Inertia	I <sub>x</sub> =21.324 cm <sup>4</sup> I <sub>y</sub> =31.751 cm <sup>4</sup>	I <sub>x</sub> =0.512 in <sup>4</sup> I <sub>y</sub> =0.763 in <sup>4</sup>



## 70X70 3-SLOT 3-WAY CORNER STANDARD

40P04-773X-000

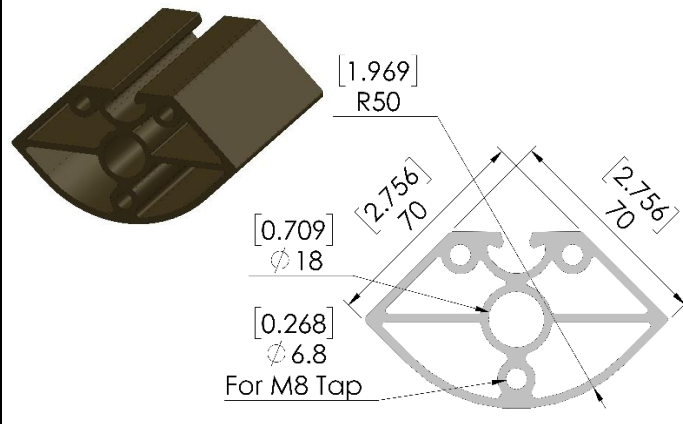
Material	6005-T5	
Finish/Color: Type II, Architectural Class I Anodize	Light Bronze	40P04-7732-000
	Black	40P04-7731-000
	Clear	40P04-7734-000
	Metric	SAE
Weight Per Length	2.815 kg/m	1.892 lb/ft
Available Length(s):	40P04-773X-000 3683 mm	40P04-773X-00C 25 - 3683 mm
	145"	1" to 145"
Cross-Sectional Area	14.637 cm <sup>2</sup>	2.269 in <sup>2</sup>
Moment of Inertia	I <sub>x</sub> =38.936 cm <sup>4</sup> I <sub>y</sub> =85.280 cm <sup>4</sup>	I <sub>x</sub> =0.935 in <sup>4</sup> I <sub>y</sub> =2.048 in <sup>4</sup>



## 70X70 1-SLOT 3-WAY CORNER STANDARD

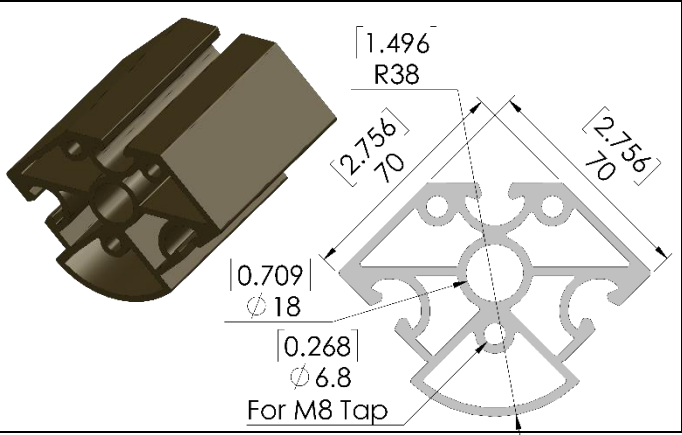
40P04-771X-000

Material	6005-T5	
Finish/Color: Type II, Architectural Class I Anodize	Light Bronze	40P04-7712-000
	Black	40P04-7711-000
	Clear	40P04-7714-000
	Metric	SAE
Weight Per Length	3.620 kg/m	2.430 lb/ft
Available Length(s):	40P04-771X-000 3683 mm	40P04-771X-00C 25 - 3683 mm
	145"	1" to 145"
Cross-Sectional Area	13.411 cm <sup>2</sup>	2.078 in <sup>2</sup>
Moment of Inertia	I <sub>x</sub> = 38.278 cm <sup>4</sup> I <sub>y</sub> = 77.086 cm <sup>4</sup>	I <sub>x</sub> =0.9196 in <sup>4</sup> I <sub>y</sub> =1.8520 in <sup>4</sup>



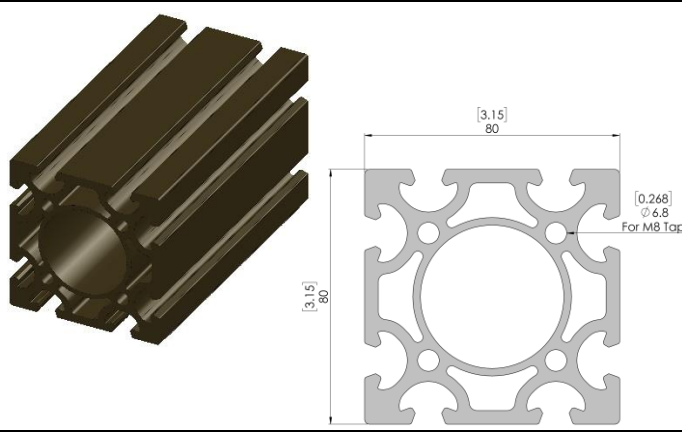
**70X70 3-SLOT 3-WAY INSET PANEL** **40P04-773X-010**

Material	6005-T5	
Finish/Color: Type II, Architectural Class I Anodize	Light Bronze	40P04-7732-010
	Black	40P04-7731-010
	Clear	40P04-7734-010
	<b>Metric</b>	<b>SAE</b>
Weight Per Length	4.669 kg/m	3.138 lb/ft
Available Length(s):	40P04-773X-010 3683 mm	40P04-773X-01C 145" to 3683 mm
Cross-Sectional Area	19.293 cm <sup>2</sup>	2.680 in <sup>2</sup>
Moment of Inertia	I <sub>x</sub> =65.817 cm <sup>4</sup> I <sub>y</sub> =97.220 cm <sup>4</sup>	I <sub>x</sub> =1.581 in <sup>4</sup> I <sub>y</sub> =2.335 in <sup>4</sup>



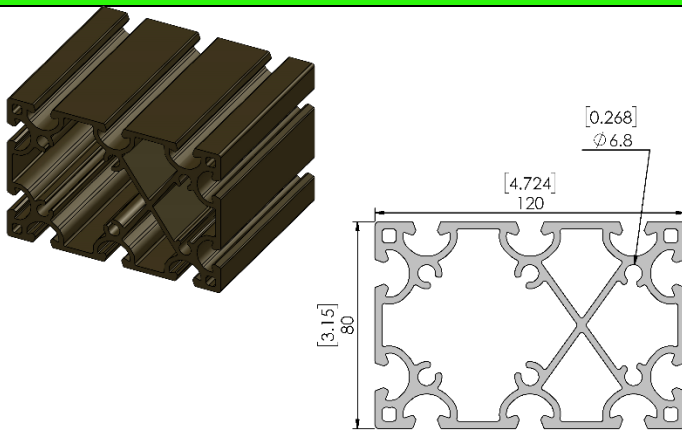
**80X80 8-SLOT HEAVY DUTY** **40P05-224X-000**

Material	6005-T5	
Finish/Color: Type II, Architectural Class I Anodize	Light Bronze	40P05-2242-000
	Black	40P05-2241-000
	Clear	40P05-2244-000
	<b>Metric</b>	<b>SAE</b>
Weight Per Length	6.383 kg/m	4.289 lb/ft
Available Length(s):	40P05-224X-000 3683 mm	40P05-224X-00C 145" to 3683 mm
Cross-Sectional Area	23.774 cm <sup>2</sup>	3.685 in <sup>2</sup>
Moment of Inertia	I <sub>x</sub> =169.643 cm <sup>4</sup> I <sub>y</sub> =169.643 cm <sup>4</sup>	I <sub>x</sub> =4.076 in <sup>4</sup> I <sub>y</sub> =4.076 in <sup>4</sup>



**80X120 10-SLOT LIGHT DUTY** **40P03-234X-000**

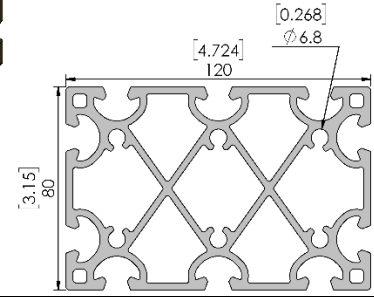
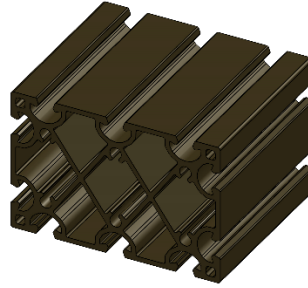
Material	6005-T5	
Finish/Color: Type II, Architectural Class I Anodize	Light Bronze	40P03-2342-000
	Black	40P03-2341-000
	Clear	40P03-2344-000
	<b>Metric</b>	<b>SAE</b>
Weight Per Length	6.500 kg/m	4.368 lb/ft
Available Length(s):	40P03-234X-000 3683 mm	40P03-234X-00C 145" to 3683 mm
Cross-Sectional Area	24.076 cm <sup>2</sup>	3.732 in <sup>2</sup>
Moment of Inertia	I <sub>x</sub> =186.650 cm <sup>4</sup> I <sub>y</sub> =388.685 cm <sup>4</sup>	I <sub>x</sub> =4.484 in <sup>4</sup> I <sub>y</sub> =9.338 in <sup>4</sup>



## 80X120 10-SLOT STANDARD DUTY

40P04-234X-000

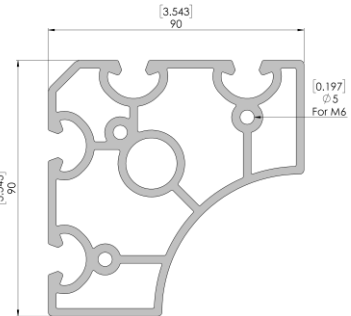
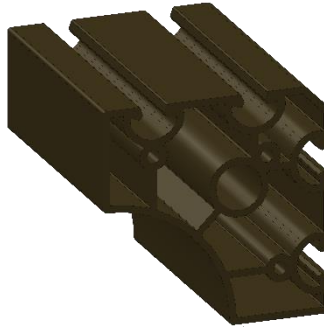
Material	6005-T5	
Finish/Color: Type II, Architectural Class I Anodize	Light Bronze	40P04-2342-000
	Black	40P04-2341-000
	Clear	40P04-2344-000
	<b>Metric</b>	<b>SAE</b>
Weight Per Length	7.154 kg/m	4.807 lb/ft
Available Length(s):	40P04-234X-000 40P04-234X-00C	3683 mm 25 - 3683 mm
		145" 1" to 145"
Cross-Sectional Area	26.495 cm <sup>2</sup>	4.107 in <sup>2</sup>
Moment of Inertia	$I_x=190.217 \text{ cm}^4$ $I_y=400.626 \text{ cm}^4$	$I_x=4.570 \text{ in}^4$ $I_y=9.625 \text{ in}^4$



## 90X90 4-SLOT INSIDE CORNER STANDARD

40P04-992X-000

Material	6005-T5	
Finish/Color: Type II, Architectural Class I Anodize	Light Bronze	40P04-9922-000
	Black	40P04-9921-000
	Clear	40P04-9924-000
	<b>Metric</b>	<b>SAE</b>
Weight Per Length	4.836 kg/m	3.250 lb/ft
Available Length(s):	40P04-992X-000 40P04-992X-00C	3683 mm 25 - 3683 mm
		145" 1" to 145"
Cross-Sectional Area	17.910 cm <sup>2</sup>	2.776 in <sup>2</sup>
Moment of Inertia	$I_x= 81.949 \text{ cm}^4$ $I_y= 179.690 \text{ cm}^4$	$I_x= 1.969 \text{ in}^4$ $I_y= 4.317 \text{ in}^4$



# NOTES

---

---

---

---

---

---

---

---

---

---

---

---

---

---

---

---

---

---

---

---

---

---

---

---

PROFILES

COMPONENTS

RIVET SYSTEM

DOORS AND FLOORS

ACCESSORIES

HARDWARE

## Components

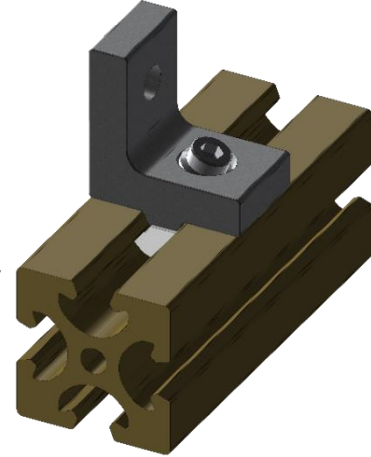
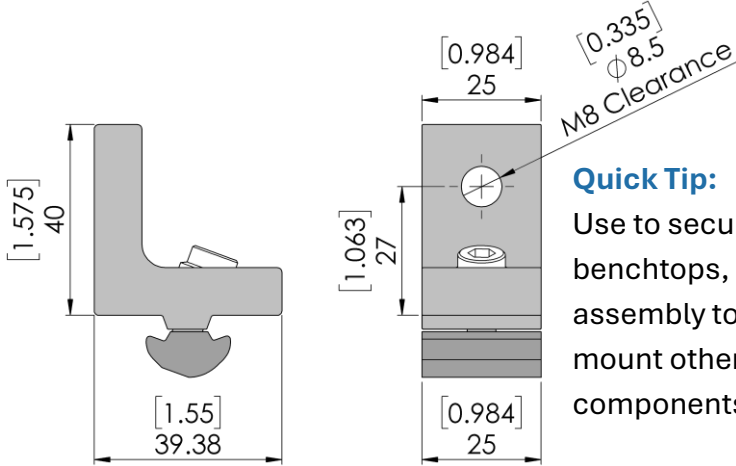
AngleLock components are designed, engineered, and manufactured to perform with the greatest strength, performance, and precision in the industry. Our patented AngleLock fastening system creates fixed joints, optimizing the strength of each connection. All components are packaged as preassembled kits, including all hardware needed for use.

	Description	Part Number	Page
	25MM UNIVERSAL PERPENDICULAR BRACKET KIT	40CUB-0411-001-01	17
	35MM STANDARD DUTY CORNER BRACKET KIT	40CIC-0421-003-01	17
40mm Brackets	40MM STANDARD DUTY CORNER BRACKET KIT	40CIC-0421-001-01	18
	40MM STANDARD DUTY PERPENDICULAR BRACKET KIT	40CPB-0421-001-01	18
	40MM STANDARD DUTY UNIVERSAL CORNER BRACKET KIT	40CUB-0411-002-01	19
	40MM HEAVY DUTY CORNER BRACKET KIT	40CIC-0521-001-01	19
	40MM STANDARD DUTY BUTT JOINT JOINING PLATE KIT	40CJP-0421-004-01	20
	40MM 3-WAY CORNER BRACKET KIT	40C3W-0431-001-01	20
	40MM 3-WAY RECESSED CORNER BRACKET KIT – LEFT	40C3W-0431-002-01	21
	40MM 3-WAY RECESSED CORNER BRACKET KIT – RIGHT	40C3W-0431-003-01	21
	40MM 90° 3X3 HOLE JOINING PLATE KIT	40CJP-0421-001-01	22
	Adj. Angle Brackets	40MM ADJUSTABLE ANGLE BRACKET OFFSET PROFILE MOUNT KIT	40CAB-0411-002-01
40MM ADJ. ANGLE BRACKET OFFSET PROFILE TO END MOUNT KIT		40CAB-0411-004-01	23
40MM ADJUSTABLE ANGLE BRACKET PROFILE TO END MOUNT KIT		40CAB-0411-007-01	23
40MM ADJUSTABLE ANGLE BRACKET END MOUNT KIT		40CAB-0411-005-01	24
40MM ADJ. ANGLE BRACKET PROFILE/OFFSET PROFILE MOUNT KIT		40CAB-0411-008-01	24
Pivot Brackets	40MM PIVOT BRACKET OFFSET PROFILE MOUNT KIT	40MPI-0411-001-01	25
	40MM PIVOT BRACKET OFFSET PROFILE TO END MOUNT KIT	40MPI-0411-001-02	25
	40MM PIVOT BRACKET END MOUNT KIT	40MPI-0411-014-01	26
	40MM PIVOT BRACKET PROFILE MOUNT TO END MOUNT KIT	40MPI-0411-016-01	26
	40MM PIVOT BRACKET PROFILE TO OFFSET PROFILE MOUNT KIT	40MPI-0411-016-03	27
80mm Brackets	80MM MEDIUM DUTY CORNER BRACKET KIT	40CIC-0741-001-01	27
	80MM HEAVY DUTY PERPENDICULAR BRACKET KIT	40CPB-0541-001-01	28
	80MM HEAVY DUTY PARALLEL CORNER BRACKET KIT	40CPB-0541-002-01	28
	80MM MEDIUM DUTY UNIVERSAL CORNER BRACKET KIT	40CUB-0521-001-01	29
	80MM 3-WAY CORNER BRACKET KIT	40C3W-0451-001-01	29
	80MM 3-WAY RECESSED CORNER BRACKET KIT – LEFT	40C3W-0451-002-01	30
	80MM 3-WAY RECESSED CORNER BRACKET KIT – RIGHT	40C3W-0451-003-01	30
	80MM STANDARD DUTY BUTT JOINING PLATE KIT	40CJP-0441-001-01	31
Threaded Inserts	40-6 THREADED INSERT KIT	40CTI-0410-001-01	31
	40-6 END MOUNT THREADED INSERT KIT	40CTI-0410-004-01	32
	40-6 THREADED INSERT WITH 20° ANGLE NUT KIT	40CTI-0410-001-03	32
	40-6 STANDARD THREADED INSERT WITH DROP-IN NUT KIT	40CTI-0410-001-04	33
	40-6 DOUBLE THREADED INSERT KIT	40CTI-0410-001-02	33



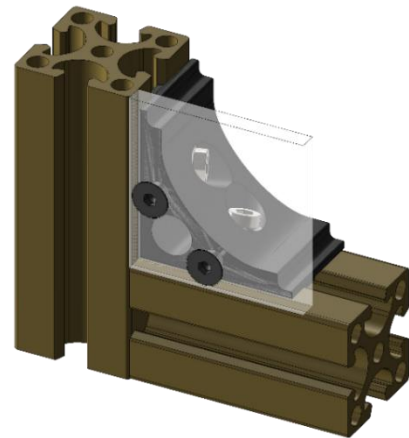
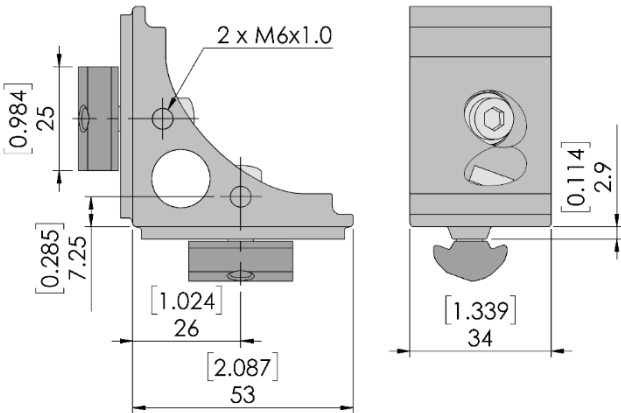
**25MM UNIVERSAL PERPENDICULAR BRACKET KIT** **40CUB-0411-001-01**

Material	6061-T6	
Finish	Type II, Class 2 Anodize, Black	
Parts Included in Kit	(1) 25mm Universal Perpendicular Bracket [40CUB-0411-001-00] (1) M6 25mm 1-Hole Angle Nut [40HAN-3407-001-00] (1) M6x1.0x20mm 12.9 Flanged SHCS [00HSW-3507-202-00]	
	<b>Metric</b>	<b>SAE</b>
Weight	0.076 kg [76 g]	0.17 lb [2.7 oz]



**35MM STANDARD DUTY CORNER BRACKET KIT** **40CIC-0421-003-01**

Material	6061-T6	
Finish	Type II, Class 2 Anodize, Black	
Parts Included in Kit	(1) 35mm Standard Duty Bracket [40CIC-0421-003-00] (2) M6 25mm 1-Hole Angle Nut [40HAN-3407-001-00] (2) M6x1.0x20mm 12.9 Flanged SHCS [00HSW-3507-202-00]	
	<b>Metric</b>	<b>SAE</b>
Weight	0.14 kg [139 g]	0.31 lb [4.9 oz]

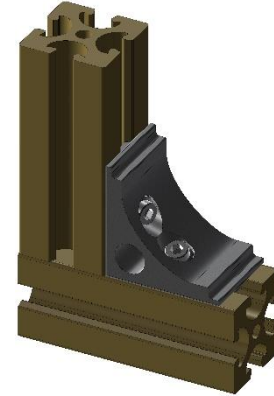
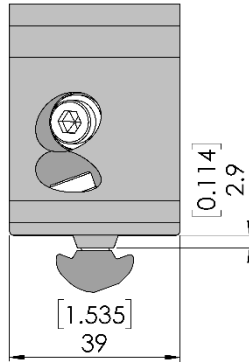
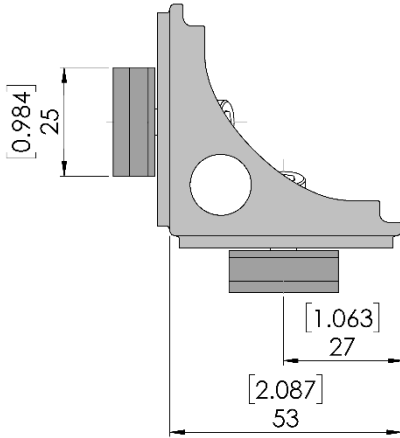


- PROFILES
- COMPONENTS
- RIVET SYSTEM
- DOORS AND FLOORS
- ACCESSORIES
- HARDWARE

## 40MM STANDARD DUTY CORNER BRACKET KIT

40CIC-0421-001-01

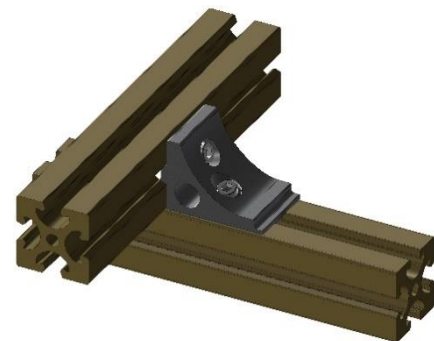
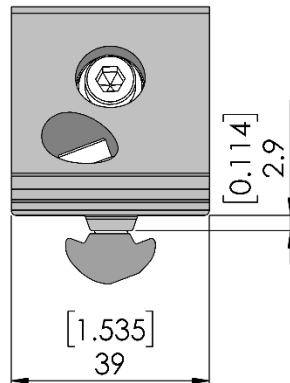
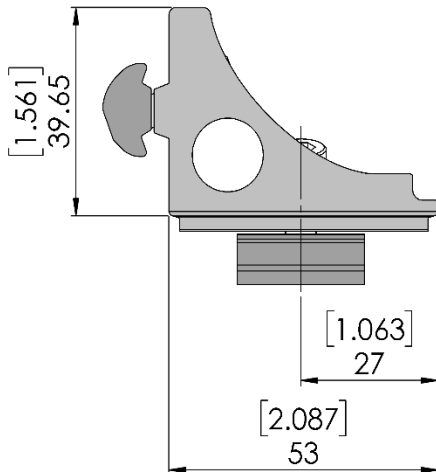
Material	6061-T6	
Finish	Type II, Class 2 Anodize, Black	
Parts Included in Kit	(1) 40mm Standard Duty Bracket [40CIC-0421-001-00] (2) M6 25mm 1-Hole Angle Nut [40HAN-3407-001-00] (2) M6x1.0x20mm 12.9 Flanged SHCS [00HSW-3507-202-00]	
	<b>Metric</b>	<b>SAE</b>
Weight	0.15 kg [153 g]	0.34 lb [5.38 oz]



## 40MM STANDARD DUTY PERPENDICULAR BRACKET KIT

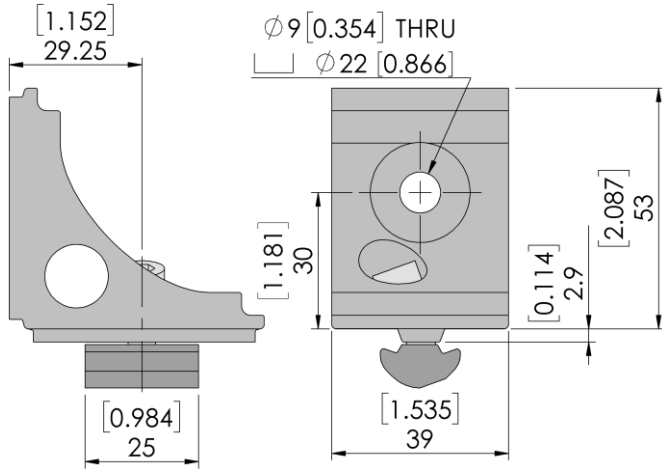
40CPB-0421-001-01

Material	6061-T6	
Finish	Type II, Class 2 Anodize, Black	
Parts Included in Kit	(1) 40mm SD Perpendicular Bracket [40CPB-0421-001-00] (2) M6 25mm 1-Hole Angle Nut [40HAN-3407-001-00] (2) M6x1.0x20mm 12.9 Flanged SHCS [00HSW-3507-202-00]	
	<b>Metric</b>	<b>SAE</b>
Weight	0.14 kg [143 g]	0.32 lb [5.1 oz]



**40MM STANDARD DUTY UNIVERSAL CORNER BRACKET KIT** **40CUB-0411-002-01**

Material	6061-T6	
Finish	Type II, Class 2 Anodize, Black	
Parts Included in Kit	(1) 40mm SD Universal Corner Bracket [40CUB-0411-002-00] (1) M6 25mm 1-Hole Angle Nut [40HAN-3407-001-00] (1) M6x1.0x20mm 12.9 Flanged SHCS [00HSW-3507-202-00]	
	<b>Metric</b>	<b>SAE</b>
Weight	0.133 kg [133 g]	0.29 lb [4.7 oz]

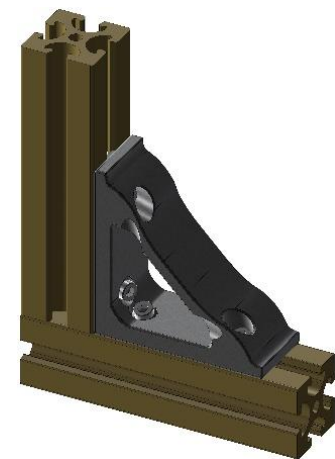
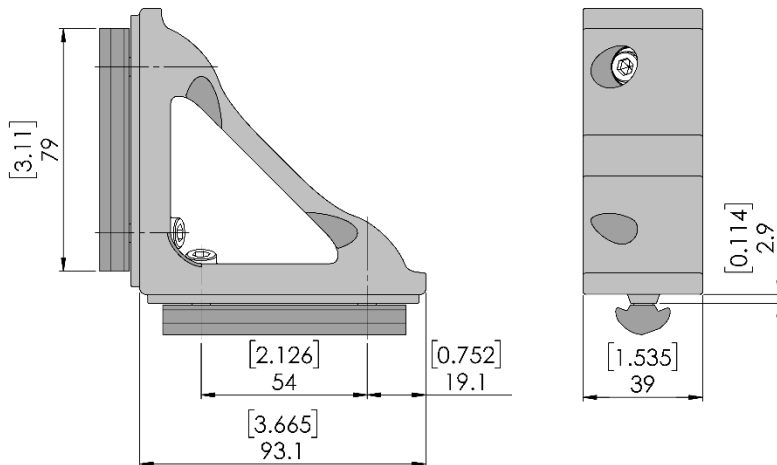


**Quick Tip:**  
Use to securely mount benchtops, anchor a sub-assembly to a plate, mount other off shelf components, etc.



**40MM HEAVY DUTY CORNER BRACKET KIT** **40CIC-0521-001-01**

Material	6061-T6	
Finish	Type II, Class 2 Anodize, Black	
Parts Included in Kit	(1) 40mm Heavy Duty Bracket [40CIC-0521-001-00] (2) M6 79mm 2-Hole Angle Nut [40HAN-3407-004-00] (4) M6x1.0x20mm 12.9 Flanged SHCS [00HSW-3507-202-00]	
	<b>Metric</b>	<b>SAE</b>
Weight	0.46 kg [463 g]	1.02 lb [16.34 oz]

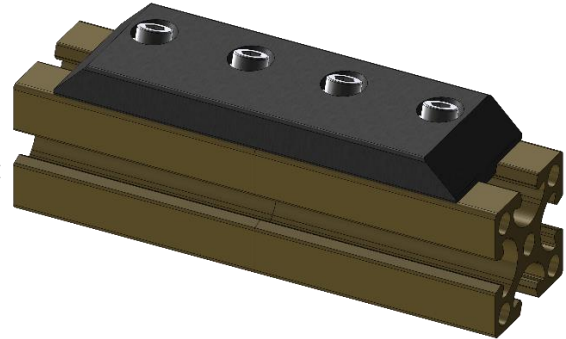
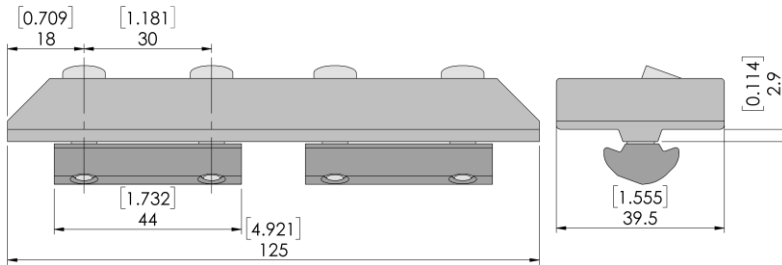


- PROFILES
- COMPONENTS
- RIVET SYSTEM
- DOORS AND FLOORS
- ACCESSORIES
- HARDWARE

## 40MM STANDARD DUTY BUTT JOINT JOINING PLATE KIT

40CJP-0421-004-01

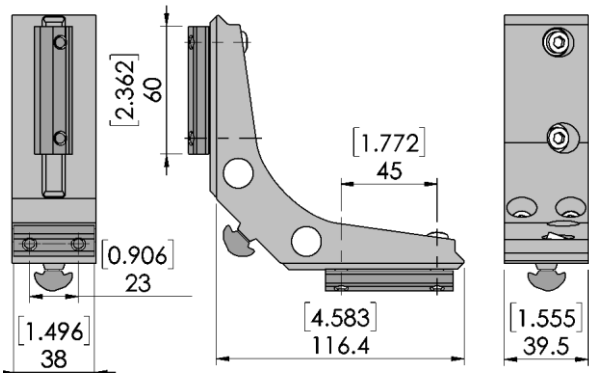
Material	6061-T6	
Finish	Type II, Class 2 Anodize, Black	
Parts Included in Kit	(1) 40mm SD Butt Joint Joining Plate [40CJP-0421-004-00] (2) M6 44mm 2-Hole Angle Nut [40HAN-3407-003-00] (4) M6x1.0x20mm 12.9 Flanged SHCS [00HSW-3507-202-00]	
	<b>Metric</b>	<b>SAE</b>
Weight	0.26 kg [257 g]	0.57 lb [9.1 oz]



## 40MM 3-WAY CORNER BRACKET KIT

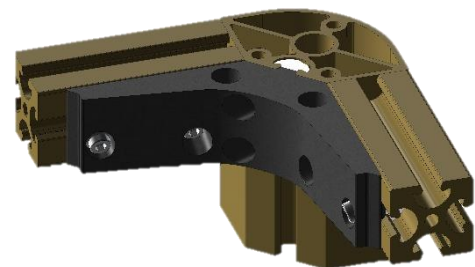
40C3W-0431-001-01

Material	6061-T6	
Finish	Type II, Class 2 Anodize, Black	
Parts Included in Kit	(1) 40mm 3-Way Bracket [40C3W-0431-001-00] (2) M6 60mm 2-Hole Angle Nut [40HAN-3407-005-00] (1) M6 38mm 2-Hole Angle Nut [40HAN-3407-007-00] (6) M6x1.0x20mm 12.9 Flanged SHCS [00HSW-3507-202-00]	
	<b>Metric</b>	<b>SAE</b>
Weight	0.51 kg [505 g]	1.11 lb [17.76 oz]



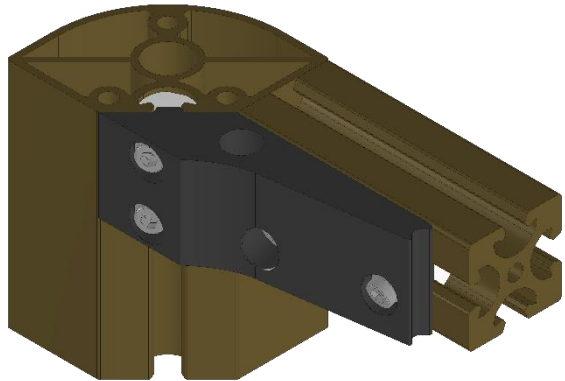
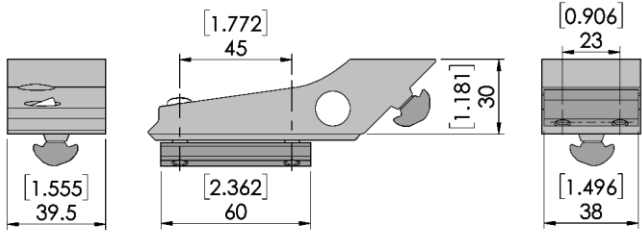
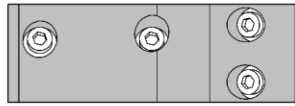
### Quick Tip:

An excellent choice for table leg type applications. See page 70 for more info.



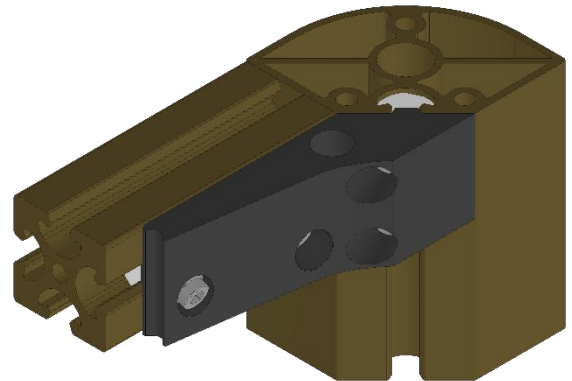
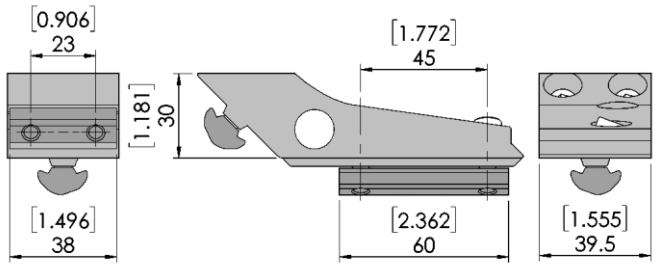
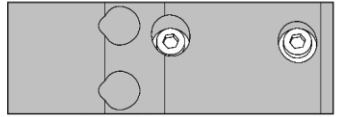
**40MM 3-WAY RECESSED CORNER BRACKET KIT – LEFT** **40C3W-0431-002-01**

Material	6061-T6	
Finish	Type II, Class 2 Anodize, Black	
Parts Included in Kit	(1) 40mm 3-Way Recessed Corner Bracket-Left [40C3W-0431-002-00] (1) M6 60mm 2-Hole Angle Nut [40HAN-3407-005-00] (1) M6 38mm 2-Hole Angle Nut [40HAN-3407-007-00] (4) M6x1.0x20mm 12.9 Flanged SHCS [00HSW-3507-202-00]	
	<b>Metric</b>	<b>SAE</b>
Weight	0.30 kg [302 g]	0.67 lb [10.64 oz]



**40MM 3-WAY RECESSED CORNER BRACKET KIT – RIGHT** **40C3W-0431-003-01**

Material	6061-T6	
Finish	Type II, Class 2 Anodize, Black	
Parts Included in Kit	(1) 40mm 3-Way Recessed Corner Bracket-Right [40C3W-0431-003-00] (1) M6 60mm 2-Hole Angle Nut [40HAN-3407-005-00] (1) M6 38mm 2-Hole Angle Nut [40HAN-3407-007-00] (4) M6x1.0x20mm 12.9 Flanged SHCS [00HSW-3507-202-00]	
	<b>Metric</b>	<b>SAE</b>
Weight	0.29 kg [292 g]	0.64 lb [10.31 oz]

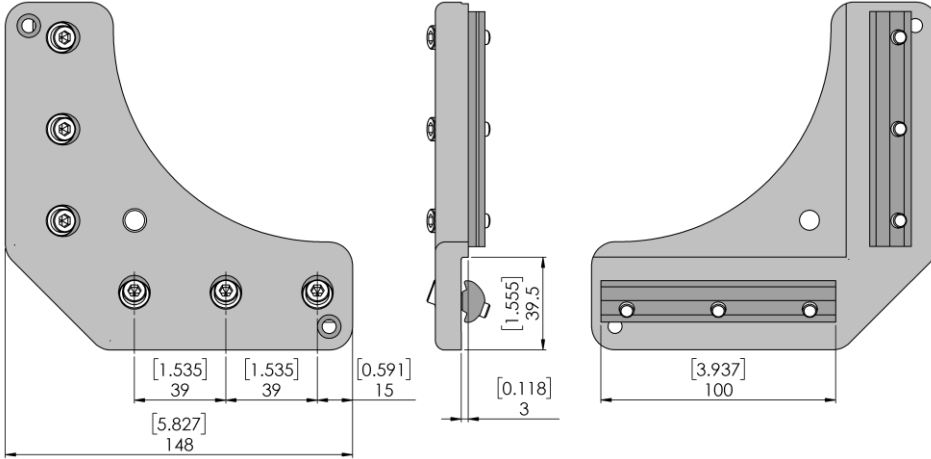


- PROFILES
- COMPONENTS
- RIVET SYSTEM
- DOORS AND FLOORS
- ACCESSORIES
- HARDWARE

## 40MM 90° 3X3 HOLE JOINING PLATE KIT

40CJP-0421-001-01

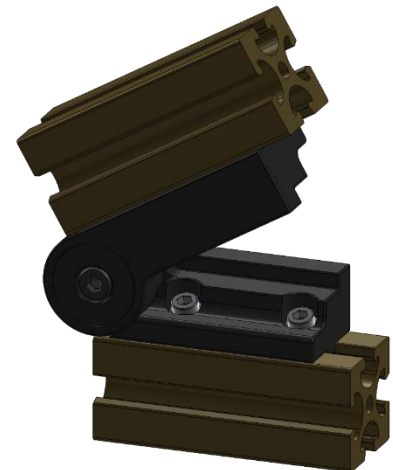
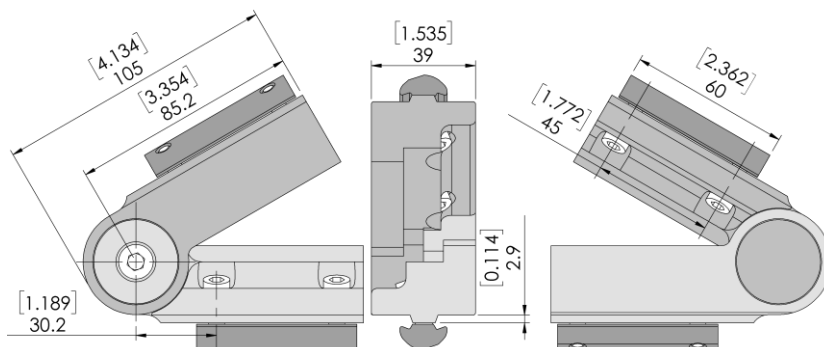
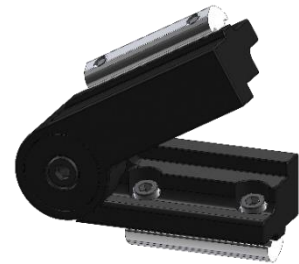
Material	6061-T6	
Finish	Type II, Class 2 Anodize, Black	
Parts Included in Kit	(1) 40mm 90° 3x3 Hole Joining Plate [40CJP-0421-001-00] (2) M6 100mm 3-Hole Angle Nut [40HAN-3407-002-00] (6) M6x1.0x20mm 12.9 Flanged SHCS [00HSW-3507-202-00]	
	<b>Metric</b>	<b>SAE</b>
Weight	0.596 kg [596 g]	1.3 lb [21 oz]



## 40MM ADJUSTABLE ANGLE BRACKET OFFSET PROFILE MOUNT KIT

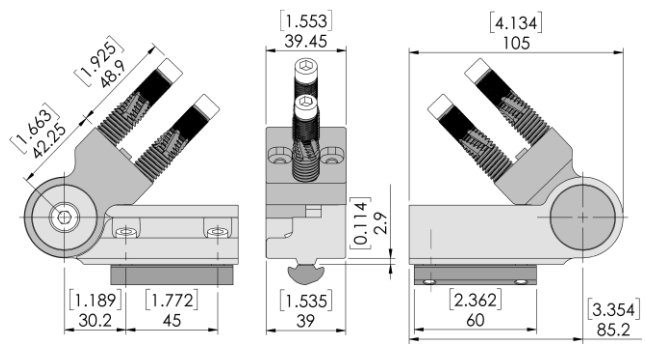
40CAB-0411-002-01

Material	6061-T6	
Finish	Type II, Class 2 Anodize, Black	
Parts Included in Kit	(2) 40mm Adjustable Angle Bracket, Offset Profile Mount [40CAB-0411-002-00] (1) Ø27mm x 30mm Black standard Fat Rivet – Male [40RRI-0411-001-00] (1) Ø27mm x 30mm Black standard Fat Rivet – Female [40RRI-0411-002-00] (1) M8x1.25x22mm 12.9 SCHS (Bright Zinc) [00HSW-3404-004-00] (2) M6 60mm 2-Hole Angle Nut [40HAN-3407-005-00] (4) M6x1.0x20mm 12.9 Flanged SHCS [00HSW-3507-202-00]	
	<b>Metric</b>	<b>SAE</b>
Weight	0.54 kg [544 g]	1.20 lb [19.2 oz]

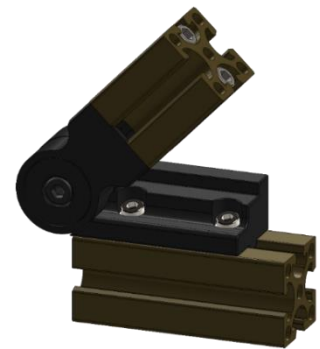


**40MM ADJ. ANGLE BRACKET OFFSET PROFILE TO END MOUNT KIT 40CAB-0411-004-01**

Material	6061-T6	
Finish	Type II, Class 2 Anodize, Black	
Parts Included in Kit	(1) 40mm Adjustable Angle Bracket, Offset Profile Mount [40CAB-0411-002-00] (1) 40mm Adjustable Angle Bracket, End Mount [40CAB-0411-005-00] (1) Ø27mm x 30mm Black standard Fat Rivet – Male [40RRI-0411-001-00] (1) Ø27mm x 30mm Black standard Fat Rivet – Female [40RRI-0411-002-00] (1) M8x1.25x22mm 12.9 SCHS (Bright Zinc) [00HSW-3404-004-00] (1) M6 60mm 2-Hole Angle Nut [40HAN-3407-005-00] (2) M6x1.0x20mm 12.9 Flanged SHCS [00HSW-3507-202-00] (2) 40-6 End Mount Threaded Insert [40CTI-0410-004-00] (2) M6x1.0x55mm 12.9 CDI SHCS [00HSW-3507-800-00]	
	<b>Metric</b>	<b>SAE</b>
Weight	0.46 kg [462 g]	1.02 lb [16.3 oz]

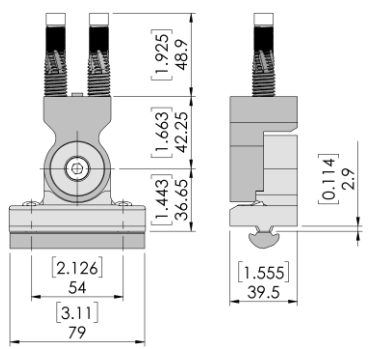


**Quick Tip:**  
Tighten the M8 bolt for a secure hold at the angle of your choosing. Loosen the bolt at any time for a quick and easy adjustment.

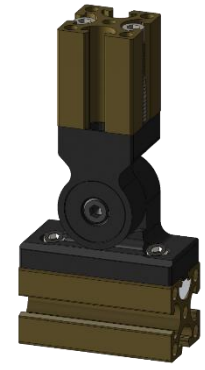


**40MM ADJUSTABLE ANGLE BRACKET PROFILE TO END MOUNT KIT 40CAB-0411-007-01**

Material	6061-T6	
Finish	Type II, Class 2 Anodize, Black	
Parts Included in Kit	(1) 40mm Adjustable Angle Bracket, Profile Mount [40CAB-0411-007-00] (1) 40mm Adjustable Angle Bracket, End Mount [40CAB-0411-005-00] (1) Ø27mm x 30mm Black standard Fat Rivet – Male [40RRI-0411-001-00] (1) Ø27mm x 30mm Black standard Fat Rivet – Female [40RRI-0411-002-00] (1) M8x1.25x22mm 12.9 SCHS (Bright Zinc) [00HSW-3404-004-00] (1) M6 79mm 2-Hole Angle Nut [40HAN-3407-004-00] (2) M6x1.0x20mm 12.9 Flanged SHCS [00HSW-3507-202-00] (2) 40-6 End Mount Threaded Insert [40CTI-0410-004-00] (2) M6x1.0x55mm 12.9 CDI SHCS [00HSW-3507-800-00]	
	<b>Metric</b>	<b>SAE</b>
Weight	0.46 kg [464 g]	1.02 lb [16.4 oz]



**Quick Tip:**  
Tighten the M8 bolt for a secure hold at the angle of your choosing. Loosen the bolt at any time for a quick and easy adjustment.

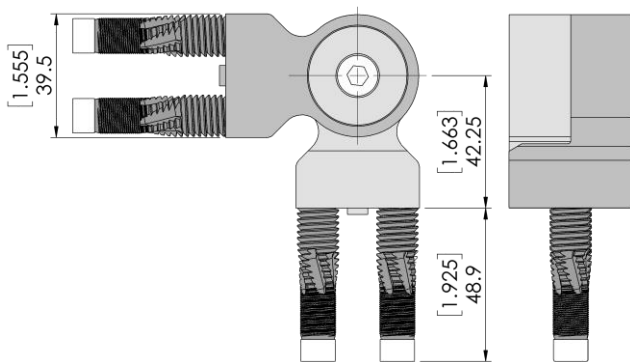
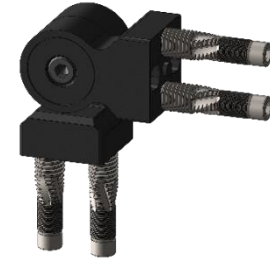


- PROFILES
- COMPONENTS
- RIVET SYSTEM
- DOORS AND FLOORS
- ACCESSORIES
- HARDWARE

## 40MM ADJUSTABLE ANGLE BRACKET END MOUNT KIT

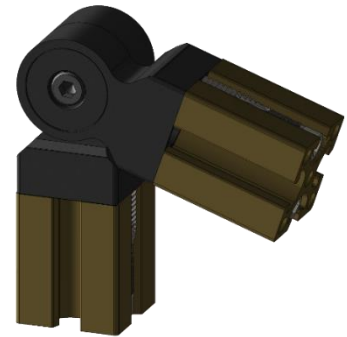
40CAB-0411-005-01

Material	6061-T6	
Finish	Type II, Class 2 Anodize, Black	
Parts Included in Kit	(2) 40mm Adjustable Angle Bracket, Profile Mount [40CAB-0411-007-00] (1) Ø27mm x 30mm Black standard Fat Rivet – Male [40RRI-0411-001-00] (1) Ø27mm x 30mm Black standard Fat Rivet – Female [40RRI-0411-002-00] (4) 40-6 End Mount Threaded Insert [40CTI-0410-004-00] (4) M6x1.0x55mm 12.9 CDI SHCS [00HSW-3507-800-00]	
	<b>Metric</b>	<b>SAE</b>
Weight	0.38 kg [379 g]	8.36 lb [13.4 oz]



### Quick Tip:

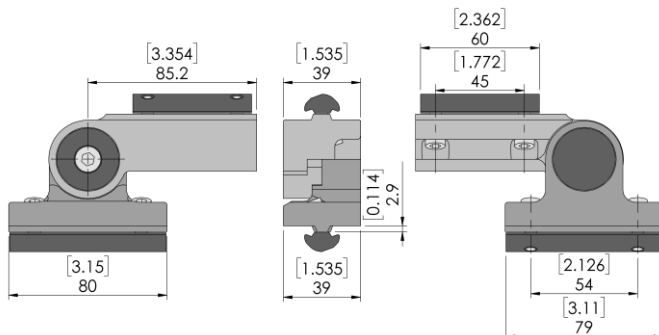
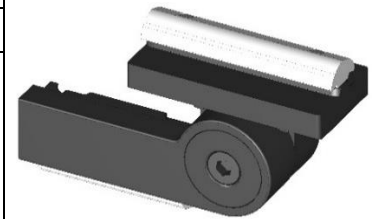
Tighten the M8 bolt for a secure hold at the angle of your choosing. Loosen the bolt at any time for a quick and easy adjustment.



## 40MM ADJ. ANGLE BRACKET PROFILE/OFFSET PROFILE MOUNT KIT

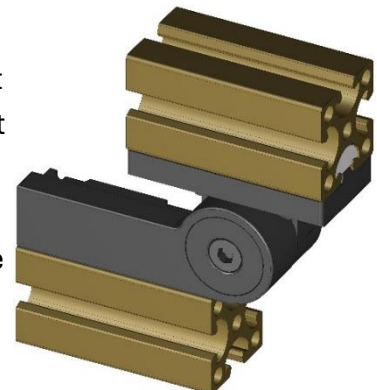
40CAB-0411-008-01

Material	6061-T6	
Finish	Type II, Class 2 Anodize, Black	
Parts Included in Kit	(2) 40mm Adjustable Angle Bracket, Profile Mount [40CAB-0411-007-00] (1) 40mm Pivot Bracket, Offset Profile Mount-Axle Side [40MPI-0411-002-00] (1) Ø27mm x 30mm Black standard Fat Rivet – Male [40RRI-0411-001-00] (1) Ø27mm x 30mm Black standard Fat Rivet – Female [40RRI-0411-002-00] (4) M6x1.0x20mm 12.9 Flanged SHCS [00HSW-3507-202-00] (2) M6x1.0 79mm 2-Hole Angle Nut [40HAN-3407-004-00]	
	<b>Metric</b>	<b>SAE</b>
Weight	0.54 kg [543 g]	1.19 lb [19.2 oz]



### Quick Tip:

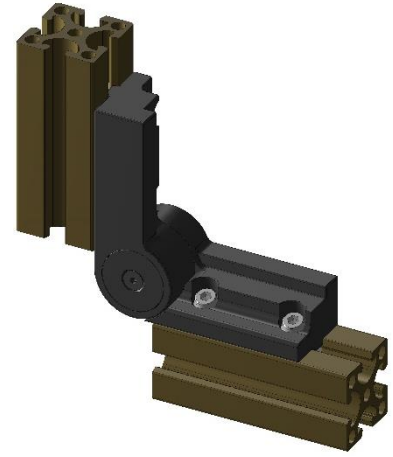
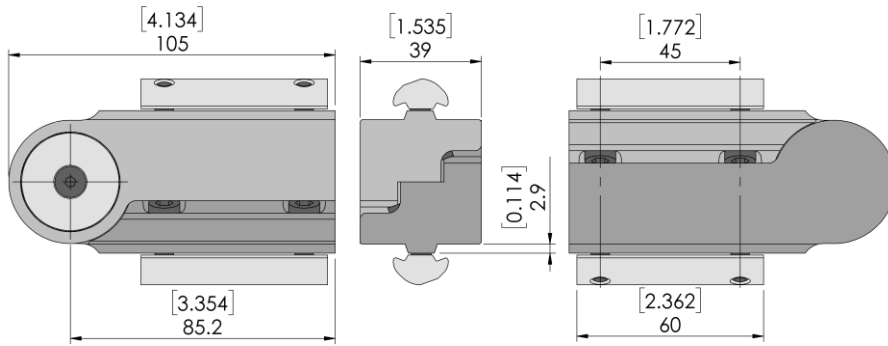
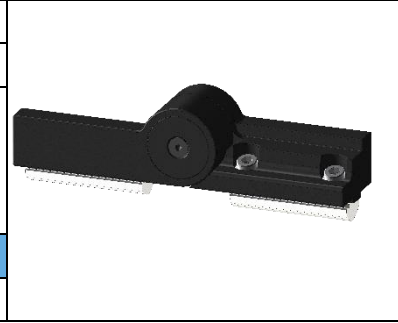
Tighten the M8 bolt for a secure hold at the angle of your choosing. Loosen the bolt at any time for a quick and easy adjustment.





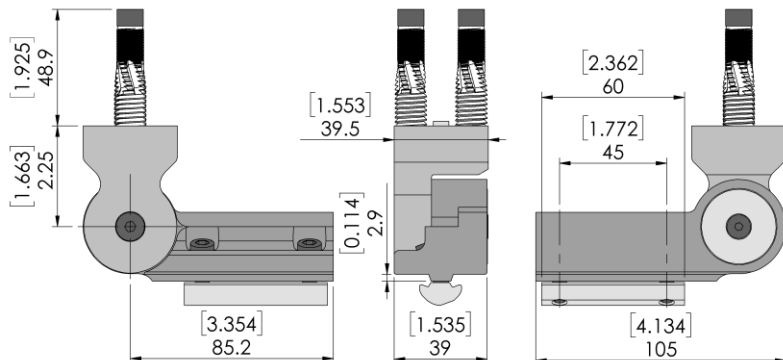
**40MM PIVOT BRACKET OFFSET PROFILE MOUNT KIT 40MPI-0411-001-01**

Material	6061-T6	
Finish	Type II, Class 2 Anodize, Black	
Parts Included in Kit	(1) 40mm Pivot Bracket, Offset Profile Mount-Bearing Side [40MPI-0411-001-00] (1) 40mm Pivot Bracket, Offset Profile Mount-Axle Side [40MPI-0411-002-00] (1) Bearing Assembly (4) M6x1.0x20mm 12.9 Flanged SHCS [00HSW-3507-202-00] (2) M6x1.0 79mm 2-Hole Angle Nut [40HAN-3407-004-00]	
	<b>Metric</b>	<b>SAE</b>
Weight	0.60 kg [603 g]	1.33 lb [21.3 oz]

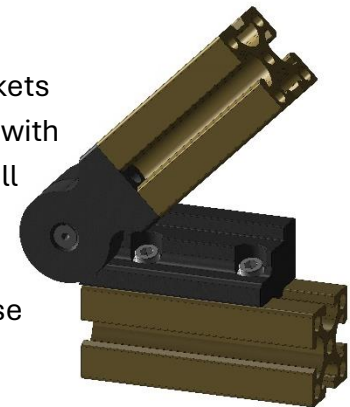


**40MM PIVOT BRACKET OFFSET PROFILE TO END MOUNT KIT 40MPI-0411-001-02**

Material	6061-T6	
Finish	Type II, Class 2 Anodize, Black	
Parts Included in Kit	(1) 40mm Pivot Bracket, Offset Profile Mount-Bearing Side [40MPI-0411-001-00] (1) 40mm Pivot Bracket, Offset Profile Mount-Axle Side [40MPI-0411-015-00] (1) Bearing Assembly (2) 40-6 End Mount Threaded Insert [40CTI-0410-004-00] (2) M6x1.0x55mm 12.9 CDI SHCS [00HSW-3507-800-00] (2) M6x1.0x20mm 12.9 Flanged SHCS [00HSW-3507-202-00] (1) M6x1.0 79mm 2-Hole Angle Nut [40HAN-3407-004-00]	
	<b>Metric</b>	<b>SAE</b>
Weight	0.52 kg [520 g]	1.15 lb [18.4 oz]



**Quick Tip:**  
All pivot brackets are equipped with heavy duty ball bearings to ensure long-lasting, precise operation.



PROFILES

COMPONENTS

RIVET SYSTEM

DOORS AND FLOORS

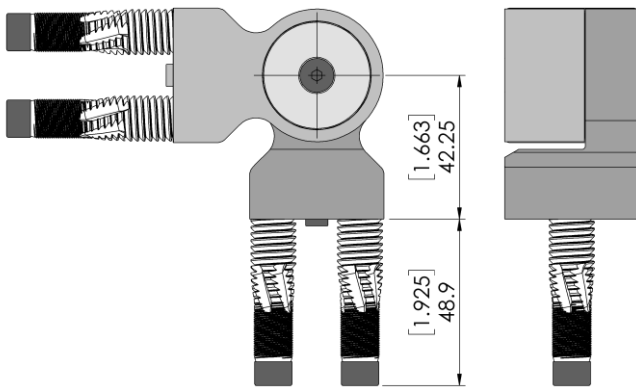
ACCESSORIES

HARDWARE

## 40MM PIVOT BRACKET END MOUNT KIT

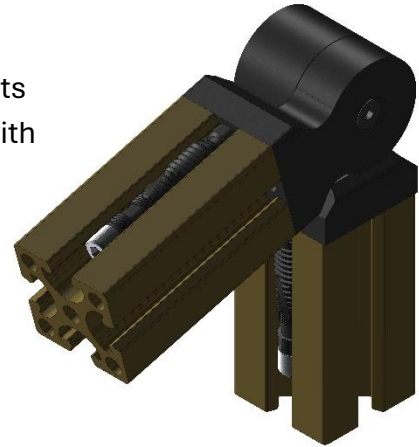
40MPI-0411-014-01

Material	6061-T6	
Finish	Type II, Class 2 Anodize, Black	
Parts Included in Kit	(1) 40mm Pivot Bracket, End Mount-Bearing Side [40MPI-0411-014-00] (1) 40mm Pivot Bracket, End Mount-Axle Side [40MPI-0411-015-00] (1) Bearing Assembly (4) 40-6 End Mount Threaded Insert [40CTI-0410-004-00] (4) M6x1.0x55mm 12.9 CDI SHCS [00HSW-3507-800-00]	
	<b>Metric</b>	<b>SAE</b>
Weight	0.44 kg [438 g]	0.97 lb [15.4 oz]



### Quick Tip:

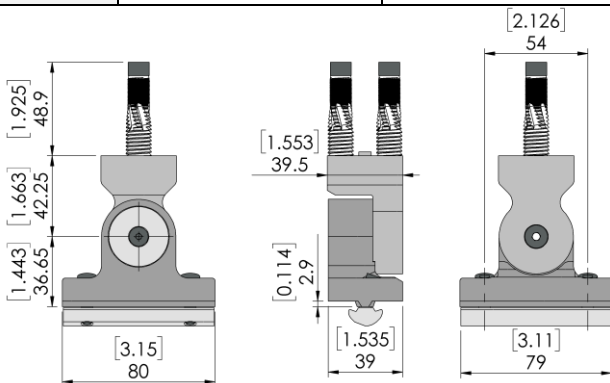
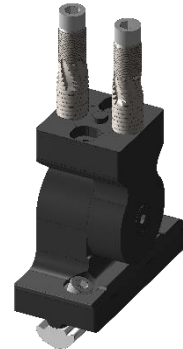
All pivot brackets are equipped with heavy duty ball bearings to ensure long-lasting, precise operation.



## 40MM PIVOT BRACKET PROFILE MOUNT TO END MOUNT KIT

40MPI-0411-016-01

Material	6061-T6	
Finish	Type II, Class 2 Anodize, Black	
Parts Included in Kit	(1) 40mm Pivot Bracket, Profile Mount-Bearing Side [40MPI-0411-016-02] (1) 40mm Pivot Bracket, End Mount-Axle Side [40MPI-0411-015-00] (1) Bearing Assembly (2) 40-6 End Mount Threaded Insert [40CTI-0410-004-00] (2) M6x1.0x55mm 12.9 CDI SHCS [00HSW-3507-800-00] (2) M6x1.0x20mm 12.9 Flanged SHCS [00HSW-3507-202-00] (1) M6x1.0 79mm 2-Hole Angle Nut [40HAN-3407-004-00]	
	<b>Metric</b>	<b>SAE</b>
Weight	0.52 kg [520 g]	1.15 lb [18.4 oz]



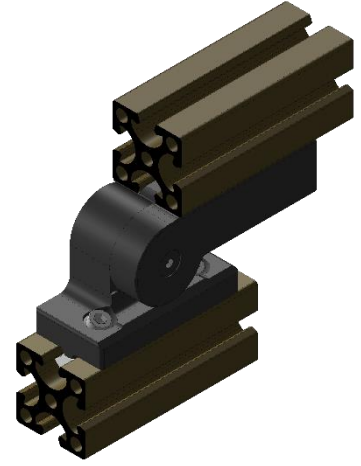
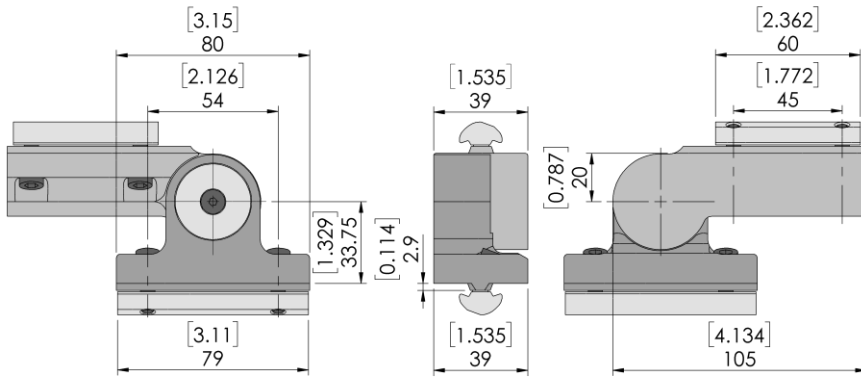
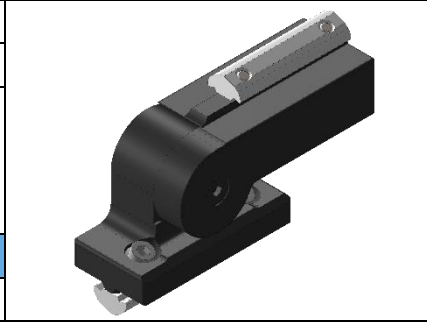
### Quick Tip:

All pivot brackets are equipped with heavy duty ball bearings to ensure long-lasting, precise operation.



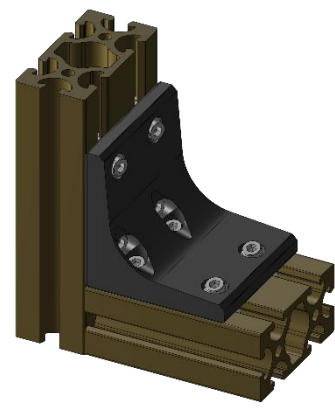
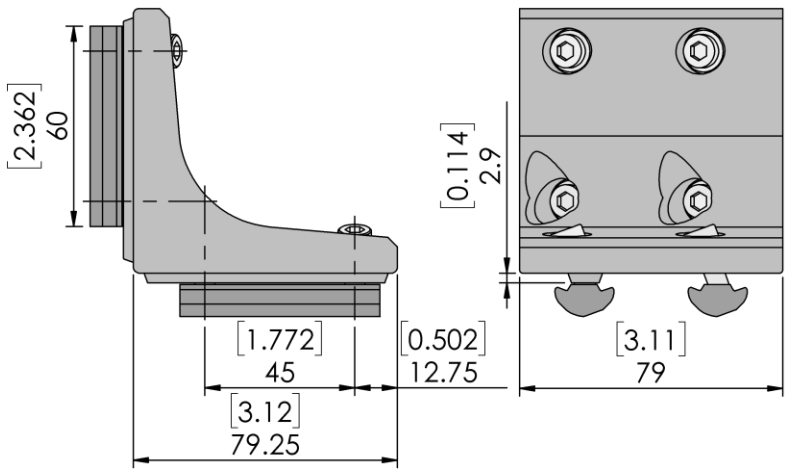
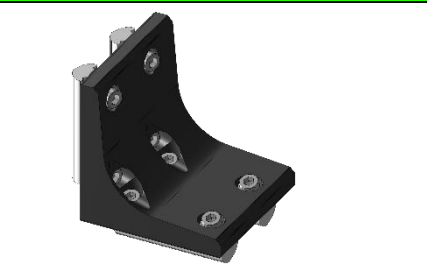
**40MM PIVOT BRACKET PROFILE TO OFFSET PROFILE MOUNT KIT** **40MPI-0411-016-03**

Material	6061-T6	
Finish	Type II, Class 2 Anodize, Black	
Parts Included in Kit	(1) 40mm Pivot Bracket, Profile Mount-Bearing Side [40MPI-0411-016-02] (1) 40mm Pivot Bracket, Profile Mount-Axle Side [40MPI-0411-002-00] (1) Bearing Assembly (4) M6x1.0x20mm 12.9 Flanged SHCS [00HSW-3507-202-00] (2) M6x1.0 79mm 2-Hole Angle Nut [40HAN-3407-004-00]	
	<b>Metric</b>	<b>SAE</b>
Weight	0.52 kg [520 g]	1.15 lb [18.4 oz]



**80MM MEDIUM DUTY CORNER BRACKET KIT** **40CIC-0741-001-01**

Material	6061-T6	
Finish	Type II, Class 2 Anodize, Black	
Parts Included in Kit	(1) 80mm MD Corner Bracket[40CIC-0741-001-00] (4) M6 60mm 2-Hole Angle Nut [40HAN-3407-005-00] (8) M6x1.0x20mm 12.9 Flanged SHCS [00HSW-3507-202-00]	
	<b>Metric</b>	<b>SAE</b>
Weight	0.69 kg [690 g]	1.52 lb [24.4 oz]

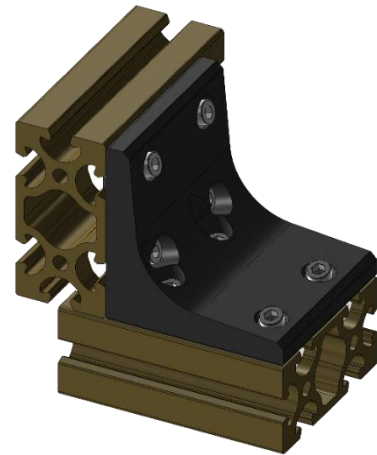
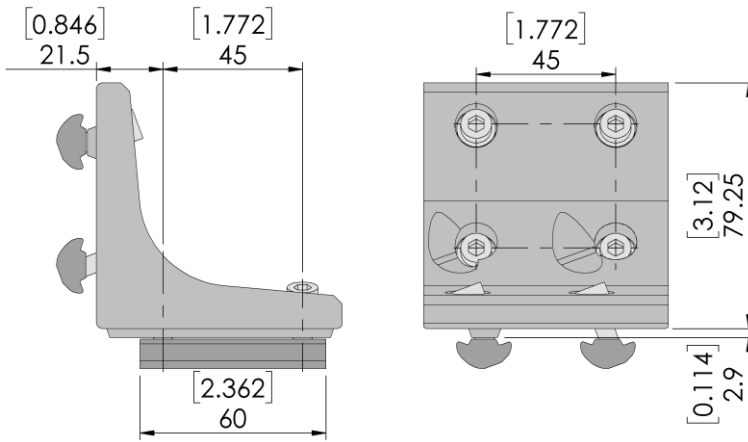


- PROFILES
- COMPONENTS
- RIVET SYSTEM
- DOORS AND FLOORS
- ACCESSORIES
- HARDWARE

## 80MM HEAVY DUTY PERPENDICULAR BRACKET KIT

40CPB-0541-001-01

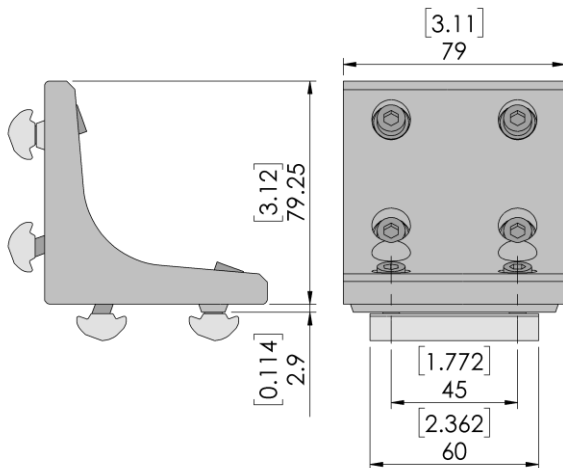
Material	6061-T6	
Finish	Type II, Class 2 Anodize, Black	
Parts Included in Kit	(1) 80mm HD Perpendicular Bracket [40CPB-0541-001-00] (4) M6 60mm 2-Hole Angle Nut [40HAN-3407-005-00] (8) M6x1.0x20mm 12.9 Flanged SHCS [00HSW-3507-202-00]	
	<b>Metric</b>	<b>SAE</b>
Weight	0.69 kg [689 g]	1.52 lb [24.3 oz]



## 80MM HEAVY DUTY PARALLEL CORNER BRACKET KIT

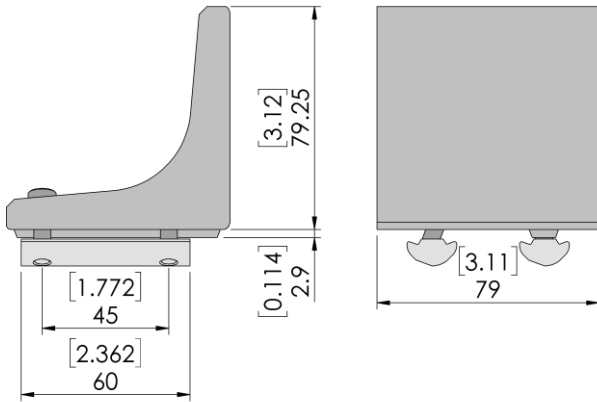
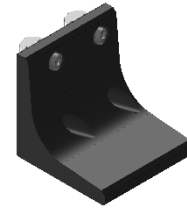
40CPB-0541-002-01

Material	6061-T6	
Finish	Type II, Class 2 Anodize, Black	
Parts Included in Kit	(1) 80mm HD Parallel Corner Bracket [40CPB-0541-002-00] (4) M6x1.0 60mm 2-Hole Angle Nut [40HAN-3407-005-00] (8) M6x1.0x20mm 12.9 Flake Flanged SHCS [00HSW-3507-202-00]	
	<b>Metric</b>	<b>SAE</b>
Weight	0.69 kg [689 g]	1.52 lb [24.3 oz]

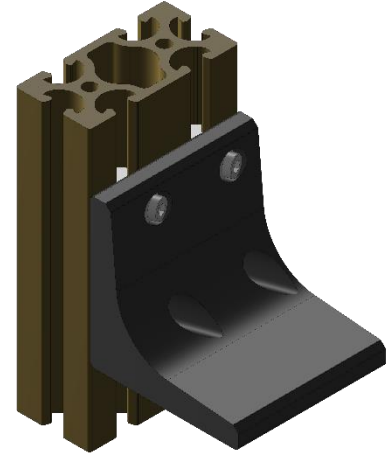


**80MM MEDIUM DUTY UNIVERSAL CORNER BRACKET KIT** **40CUB-0521-001-01**

Material	6061-T6	
Finish	Type II, Class 2 Anodize, Black	
Parts Included in Kit	(1) 80mm Medium Duty Universal Corner Bracket [40CUB-0521-001-00] (2) M6 60mm 2-Hole Angle Nut [40HAN-3407-005-00] (4) M6x1.0x20mm 12.9 Zinc Flake Flanged SHCS [00HSW-3507-202-00]	
	<b>Metric</b>	<b>SAE</b>
Weight	1.01 kg [1005 g]	2.21 lb [35.44 oz]

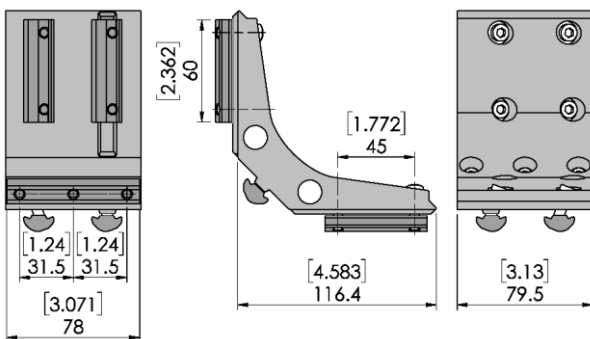


**Quick Tip:**  
This bracket has one leg that is free of any hole pattern. Machine as needed to suit your project's need.

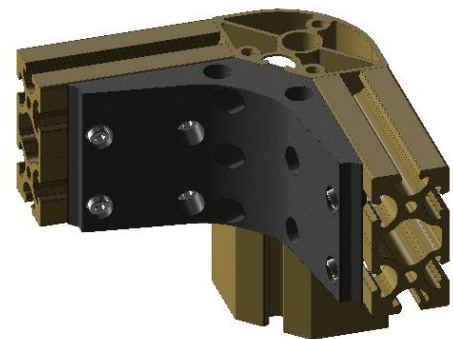


**80MM 3-WAY CORNER BRACKET KIT** **40C3W-0451-001-01**

Material	6061-T6	
Finish	Type II, Class 2 Anodize, Black	
Parts Included in Kit	(1) 80mm 3-Way Bracket [40C3W-0451-001-00] (4) M6 60mm 2-Hole Angle Nut [40HAN-3407-005-00] (1) M6 78mm 3-Hole Angle Nut [40HAN-3407-009-00] (11) M6x1.0x20mm 12.9 Flanged SHCS [00HSW-3507-202-00]	
	<b>Metric</b>	<b>SAE</b>
Weight	1.01 kg [1005 g]	2.21 lb [35.44 oz]



**Quick Tip:**  
An excellent choice for table leg type applications. See page 70 for more info.



PROFILES

COMPONENTS

RIVET SYSTEM

DOORS AND FLOORS

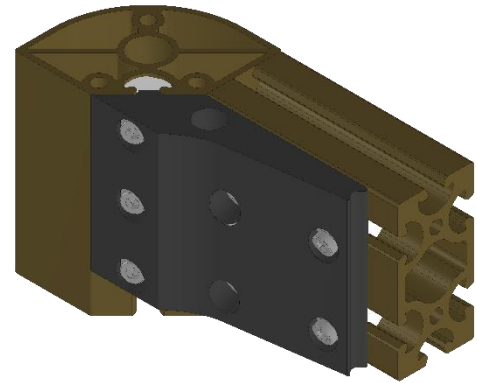
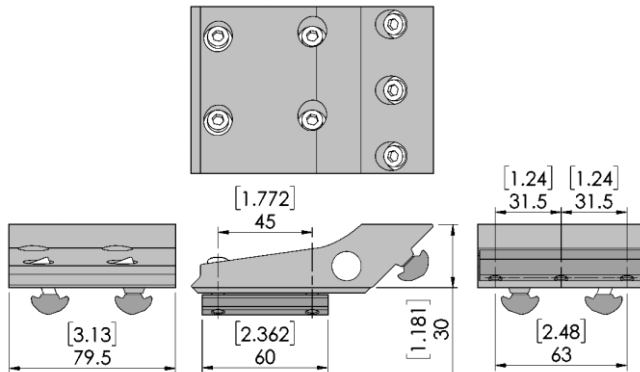
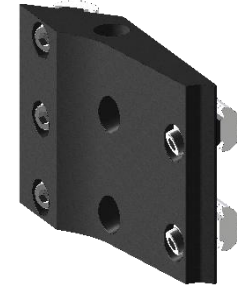
ACCESSORIES

HARDWARE

## 80MM 3-WAY RECESSED CORNER BRACKET KIT – LEFT

40C3W-0451-002-01

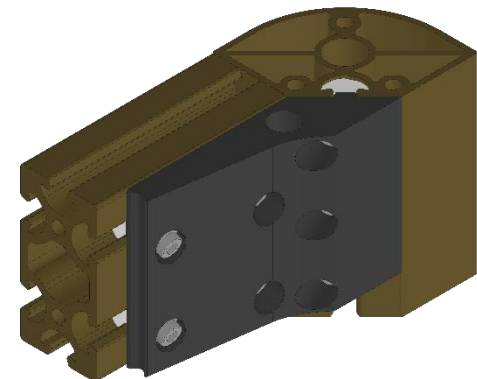
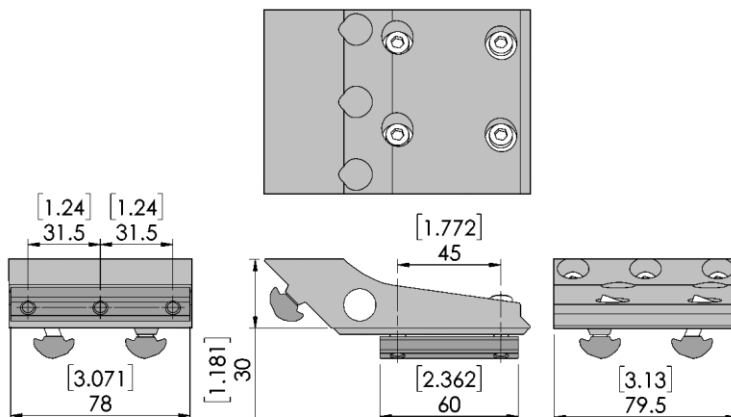
Material	6061-T6	
Finish	Type II, Class 2 Anodize, Black	
Parts Included in Kit	(1) 80mm 3-Way Recessed Corner Bracket-Left [40C3W-0451-002-00] (2) M6 60mm 2-Hole Angle Nut [40HAN-3407-005-00] (1) M6 78mm 3-Hole Angle Nut [40HAN-3407-009-00] (7) M6x1.0x20mm 12.9 Flanged SHCS [00HSW-3507-202-00]	
	<b>Metric</b>	<b>SAE</b>
Weight	0.59 kg [586 g]	1.29 lb [20.65 oz]



## 80MM 3-WAY RECESSED CORNER BRACKET KIT – RIGHT

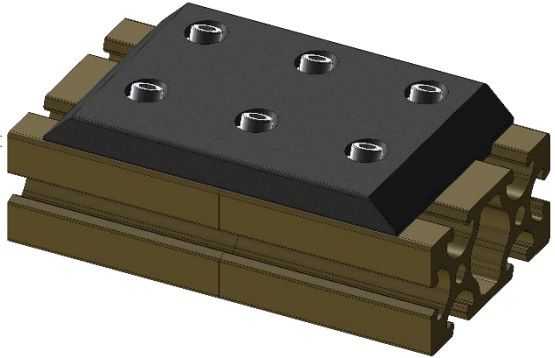
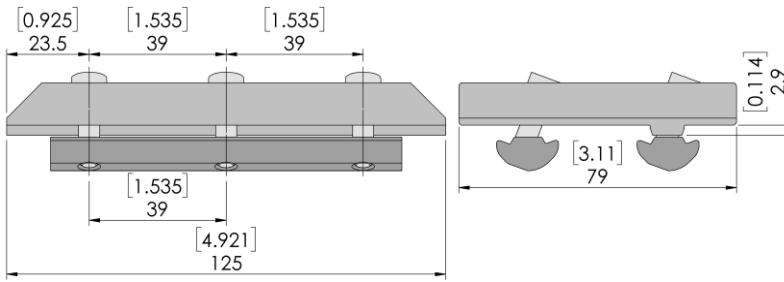
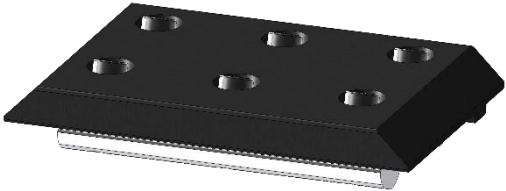
40C3W-0451-003-01

Material	6061-T6	
Finish	Type II, Class 2 Anodize, Black	
Parts Included in Kit	(1) 80mm 3-Way Recessed Corner Bracket-Right [40C3W-0451-003-00] (2) M6 60mm 2-Hole Angle Nut [40HAN-3407-005-00] (1) M6 78mm 3-Hole Angle Nut [40HAN-3407-009-00] (7) M6x1.0x20mm 12.9 Flanged SHCS [00HSW-3507-202-00]	
	<b>Metric</b>	<b>SAE</b>
Weight	0.60 kg [600 g]	1.32 lb [21.15 oz]



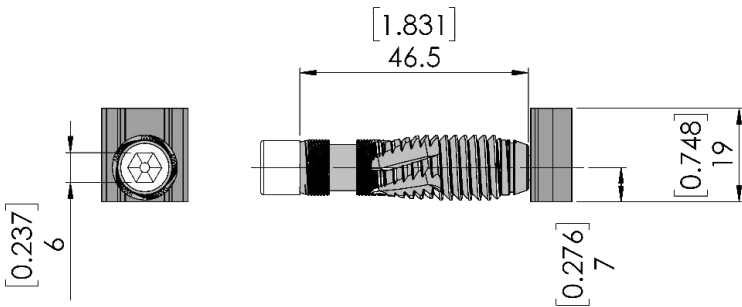
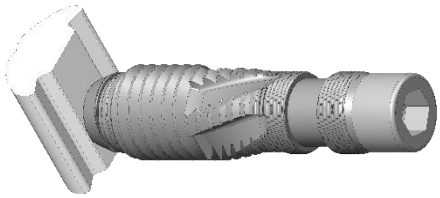
**80MM STANDARD DUTY BUTT JOINING PLATE KIT** **40CJP-0441-001-01**

Material	6061-T6	
Finish	Type II, Class 2 Anodize, Black	
Parts Included in Kit	(1) 80mm HD Butt Joint Joining Plate [40CJP-0541-001-00] (2) M6 100mm 3-Hole Angle Nut [40HAN-3407-002-00] (6) M6x1.0x20mm 12.9 Flanged SHCS [00HSW-3507-202-00]	
	<b>Metric</b>	<b>SAE</b>
Weight	0.52 kg [518 g]	1.14 lb [18.3 oz]

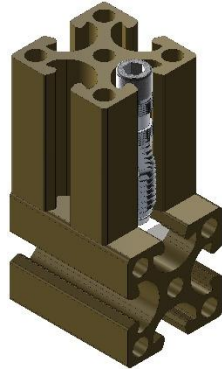


**40-6 THREADED INSERT KIT** **40CTI-0410-001-01**

Material	7075-T6	
Finish	None	
Parts Included in Kit	(1) 40-6 Threaded Insert [40CTI-0410-001-00] (1) M6 20mm 1-Hole Std. Offset Nut [40HSN-3407-001-00] (1) M6x1.0x55mm 12.9 Special SHCS [00HSW-3507-800-00]	
	<b>Metric</b>	<b>SAE</b>
Weight	0.038 kg [38 g]	0.08 lb [1.3 oz]



**Quick Tip:**  
Our threaded inserts have a self tapping body which not only allows for quick and easy installation, but also provides a very secure hold for a given joint.

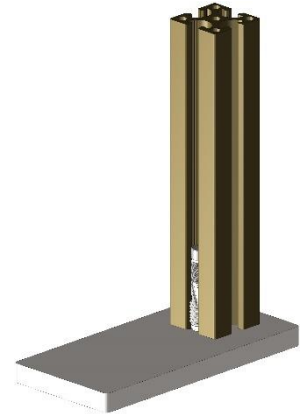
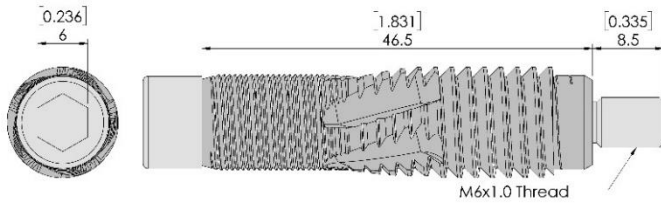
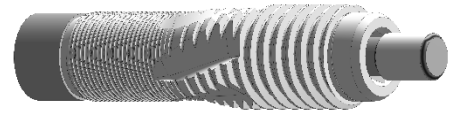


- PROFILES
- COMPONENTS
- RIVET SYSTEM
- DOORS AND FLOORS
- ACCESSORIES
- HARDWARE

## 40-6 END MOUNT THREADED INSERT KIT

40CTI-0410-004-01

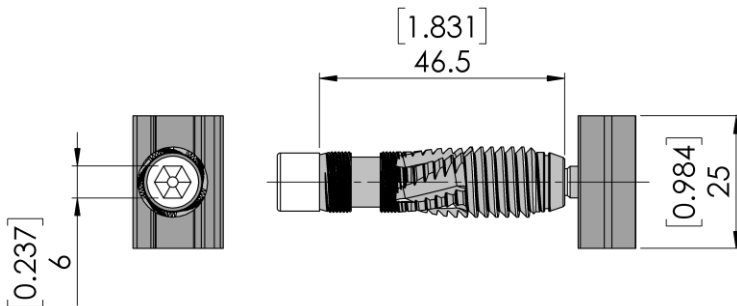
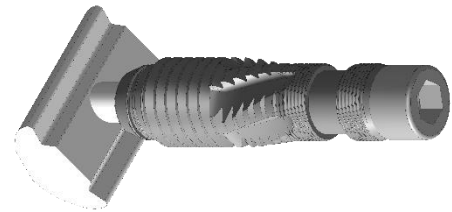
Material	7075-T6	
Finish	None	
Parts Included in Kit	(1) 40-6 End Mount Threaded Insert [40CTI-0410-004-00] (1) M6x1.0x55mm 12.9 Special SHCS [00HSW-3507-800-00]	
	<b>Metric</b>	<b>SAE</b>
Weight	0.02 kg [22 g]	0.05 lb [0.78 oz]



## 40-6 THREADED INSERT WITH 20° ANGLE NUT KIT

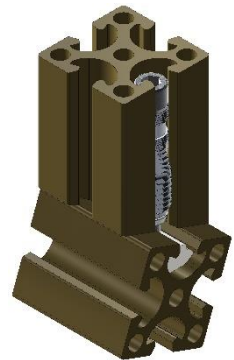
40CTI-0410-001-03

Material	7075-T6	
Finish	None	
Parts Included in Kit	(1) 40-6 Threaded Insert [40CTI-0410-001-00] (1) M6 25mm 1-Hole Angle Nut [40HAN-3407-001-00] (1) M6x1.0x55mm 12.9 Special SHCS [00HSW-3507-800-00]	
	<b>Metric</b>	<b>SAE</b>
Weight	0.045 kg [45 g]	0.1 lb [1.6 oz]



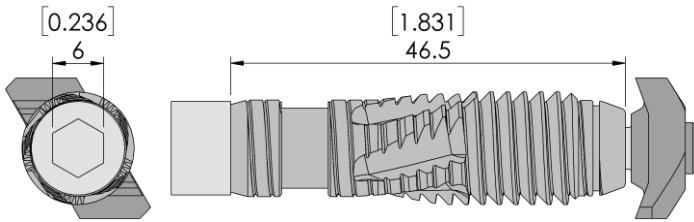
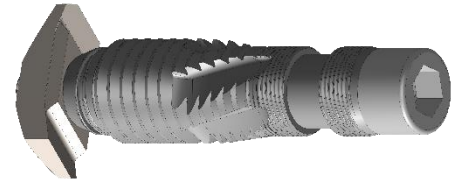
### Quick Tip:

Our threaded inserts have a self tapping body which not only allows for quick and easy installation. Utilize the 20 degree angle version for angled shelving, tool holders, etc.

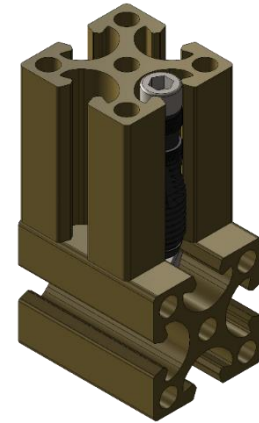




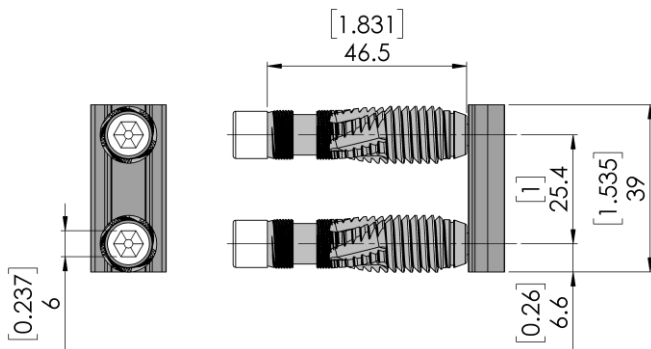
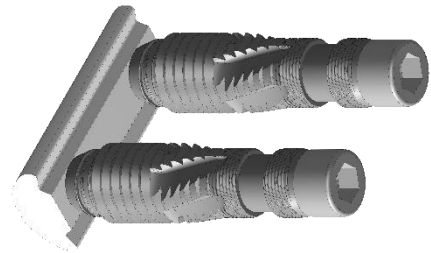
40-6 STANDARD THREADED INSERT WITH DROP-IN NUT KIT		40CTI-0410-001-04
Material	7075-T6	
Finish	None	
Parts Included in Kit	(1) 40-6 Threaded Insert [40CTI-0410-001-00] (1) M6x1.0 Bright Zinc Drop-In Nut [40HDI-3407-002-00] (1) M6x1.0x55mm 12.9 Special SHCS [00HSW-3507-800-00]	
	<b>Metric</b>	<b>SAE</b>
Weight	0.026 kg [26 g]	0.06 lb [0.9 oz]



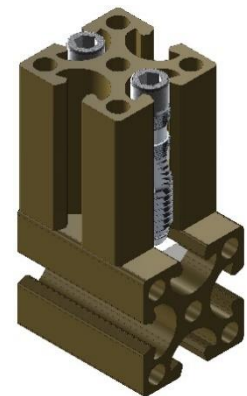
**Quick Tip:**  
Our threaded inserts have a self tapping body which not only allows for quick and easy installation, but also provides a very secure hold for a given joint.



40-6 DOUBLE THREADED INSERT KIT		40CTI-0410-001-02
Material	7075-T6	
Finish	None	
Parts Included in Kit	(2) 40-6 Threaded Insert [40CTI-0410-001-00] (1) M6 39mm 2-Hole Std. Offset Nut [40HSN-3407-002-00] (2) M6x1.0x55mm 12.9 Special SHCS [00HSW-3507-800-00]	
	<b>Metric</b>	<b>SAE</b>
Weight	0.076 kg [76 g]	0.17 lb [2.7 oz]



**Quick Tip:**  
Our threaded inserts have a self tapping body which not only allows for quick and easy installation, but also provides a very secure hold for a given joint.



PROFILES

COMPONENTS

RIVET SYSTEM

DOORS AND FLOORS

ACCESSORIES

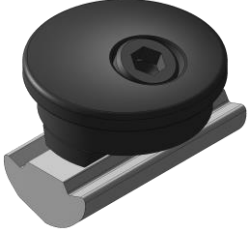
HARDWARE

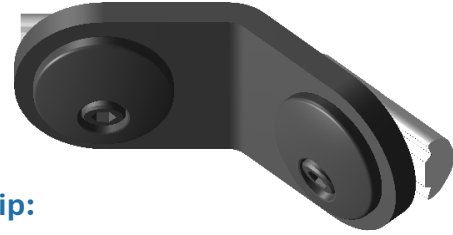
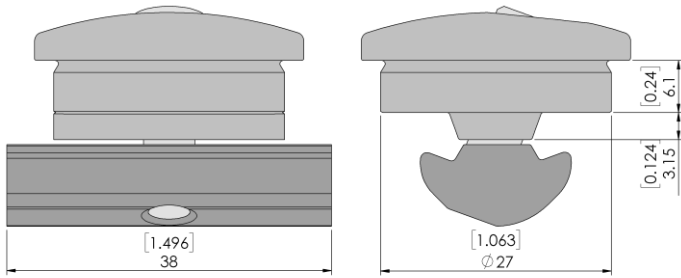
## Rivet System

AngleLock is able to offer many components unique to the structural aluminum industry thanks to the AngleLock system. Based upon a tapered locking surface, in combination with the angled fastening method, these rivets provide an extremely strong grip, yet remain easily removed and reused. These rivets also allow for infinite adjustability and an endless number of fastening options.

	Description	Part Number	Page
Straight Hole	Ø27MM 1/4" UNIVERSAL ANGLE RIVET KIT	40RRI-0411-006-01	35
	Ø27MM 3/8" UNIVERSAL ANGLE RIVET KIT	40RRI-0411-007-01	35
	Ø27MM ANGLE RIVET KIT	40RRI-0411-005-01	36
Angled Hole	Ø27MM X 20MM STANDARD RIVET KIT	40RRI-0411-003-01	36
	40MM COMPOUND ANGLE BRACKET	40RAB-0421-001-00	37
	40MM COMPOUND ANGLE BRACKET KIT	40RAB-0421-001-01	37
	2-HOLE RIVET PLATE	40RJP-0421-00X-00	38
	40MM ADJUSTABLE ANGLE PLATE KIT – LEFT	40RJP-0421-006-01	38
	40MM ADJUSTABLE ANGLE PLATE KIT – RIGHT	40RJP-0421-007-01	39

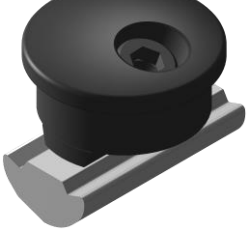
**Ø27MM 1/4" UNIVERSAL ANGLE RIVET KIT** **40RRI-0411-006-01**

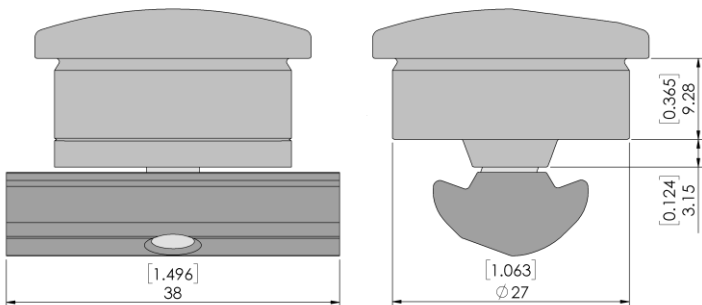
Material	7075-T6		
Finish	Type II, Class 2 Anodize, Black		
Parts Included in Kit	(1) Ø27mm 1/4" Universal Angle Rivet [40RRI-0411-006-00] (1) M6 38mm 1-Hole Angle Nut [40HAN-3407-008-00] (1) M6x1.0x20mm 12.9 SHCS [00HSW-3501-001-00]		
	<b>Metric</b>	<b>SAE</b>	
Weight	0.05 kg [57 g]	0.13 lb [2.0 oz]	



**Quick Tip:**  
Make your own custom brackets out of 0.25" thick material and use the universal angle rivet to provide a long-lasting hold.

**Ø27MM 3/8" UNIVERSAL ANGLE RIVET KIT** **40RRI-0411-007-01**

Material	7075-T6		
Finish	Type II, Class 2 Anodize, Black		
Parts Included in Kit	(1) Ø27mm 3/8" Universal Angle Rivet [40RRI-0411-007-00] (1) M6 38mm 1-Hole Angle Nut [40HAN-3407-008-00] (1) M6x1.0x20mm 12.9 SHCS [00HSW-3501-001-00]		
	<b>Metric</b>	<b>SAE</b>	
Weight	0.06 kg [61 g]	0.14 lb [2.2 oz]	



**Quick Tip:**  
Make your own custom brackets out of 0.375" thick material and use the universal angle rivet to provide a long-lasting hold.

PROFILES

COMPONENTS

RIVET SYSTEM

DOORS AND FLOORS

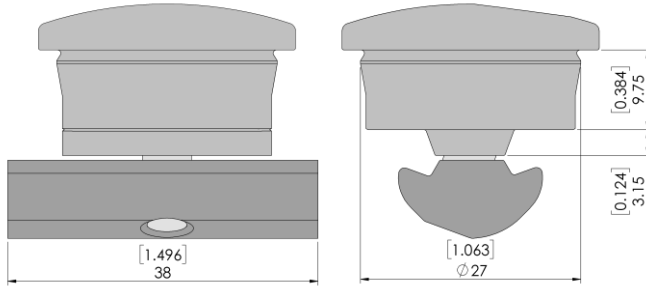
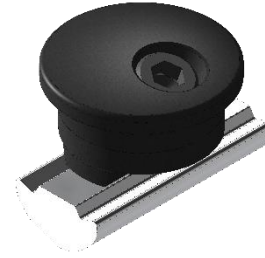
ACCESSORIES

HARDWARE

## Ø27MM ANGLE RIVET KIT

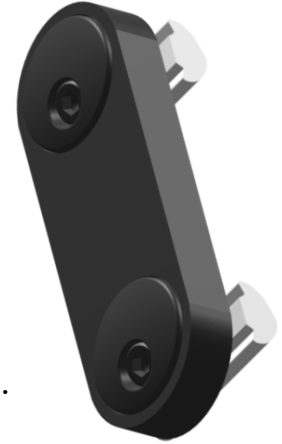
40RRI-0411-005-01

Material	7075-T6	
Finish	Type II, Class 2 Anodize, Black	
Parts Included in Kit	(1) Ø27mm Angle Rivet [40RRI-0411-005-00] (1) M6 38mm 1-Hole Angle Nut [40HAN-3407-008-00] (1) M6x1.0x20mm 12.9 SHCS [00HSW-3501-001-00]	
	<b>Metric</b>	<b>SAE</b>
Weight	0.06 kg [61 g]	0.14 lb [2.2 oz]



### Quick Tip:

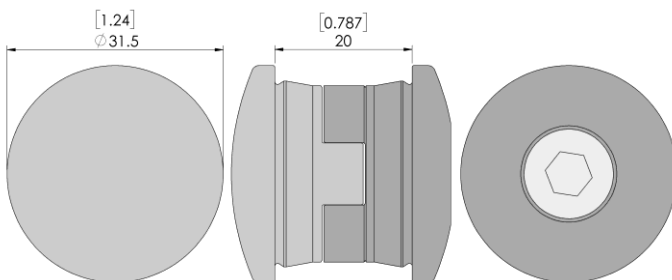
When utilized in the appropriately sized hole, this rivet gives your connection a resilient taper lock. Use with custom plates or our two hole-rivet plates. Lightly oil the contact surface to aid in assembly and later adjustments.



## Ø27MM X 20MM STANDARD RIVET KIT

40RRI-0411-003-01

Material	7075-T6	
Finish	Type II, Class 2 Anodize, Black	
Parts Included in Kit	(1) Ø27mm x 20mm Std Rivet – Male [40RRI-0411-003-00] (1) Ø27mm x 20mm Std Rivet – Female [40RRI-0411-004-00] (1) M8x1.25x20mm 12.9 SHCS [00HSW-3401-016-00]	
	<b>Metric</b>	<b>SAE</b>
Weight	0.06 kg [61 g]	0.14 lb [2.2 oz]



### Quick Tip:

Combine brackets for a versatile, adjustable connection wherever is needed.

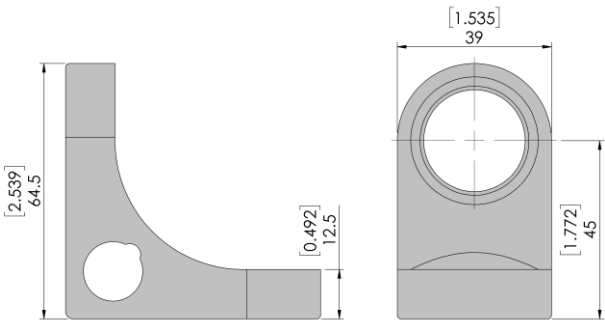


**40MM COMPOUND ANGLE BRACKET 40RAB-0421-001-00**

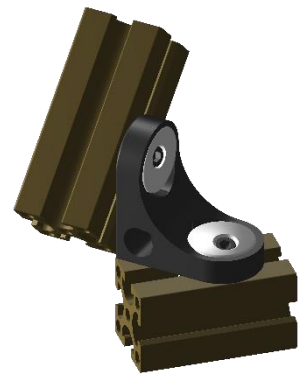
Material	6061-T6	
Finish	Type II, Class 2 Anodize, Black	
Parts Included in Kit	(1) 40mm Compound Angle Bracket [40RAB-0421-001-00]	
	<b>Metric</b>	<b>SAE</b>
Weight	0.11 kg [105 g]	0.23 lb [3.7 oz]



- PROFILES
- COMPONENTS
- RIVET SYSTEM
- DOORS AND FLOORS
- ACCESSORIES
- HARDWARE

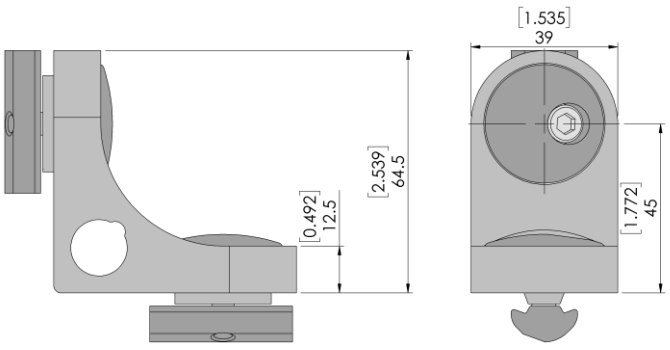


**Quick Tip:**  
This part number is for the bracket only. Angle Rivets not included.

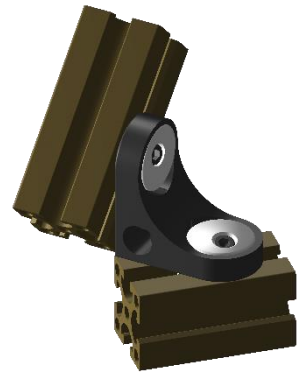


**40MM COMPOUND ANGLE BRACKET KIT 40RAB-0421-001-01**

Material	6061-T6	
Finish	Type II, Class 2 Anodize, Black	
Parts Included in Kit	(1) 40mm Compound Angle Bracket [40RAB-0421-001-00] (1) Ø27mm Angle Rivet Kit [40RRI-0411-005-01]	
	<b>Metric</b>	<b>SAE</b>
Weight	0.23 kg [234 g]	0.52 lb [8.3 oz]



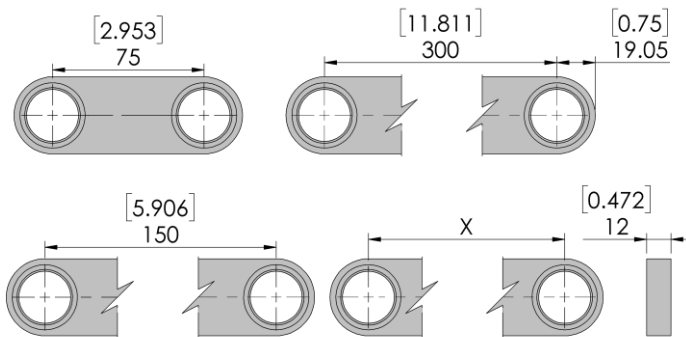
**Quick Tip:**  
Lightly oil the contact surface of the rivet during installation to aid in assembly and later adjustments.



## 2-HOLE RIVET PLATE

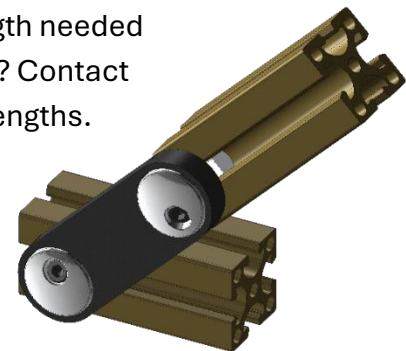
40RJP-0421-00X-00

Material	6061-T6	
Finish	Type II, Class 2 Anodize, Black	
Available Configurations	75mm 2-Hole Rivet Plate [40RJP-0421-001-00] 150mm 2-Hole Rivet Plate [40RJP-0421-002-00] 300mm 2-Hole Rivet Plate [40RJP-0421-003-00]	
	<b>Metric</b>	<b>SAE</b>
Weight	75mm – 0.09 kg [91 g] 150mm – 0.18 kg [184 g] 300mm – 0.37 kg [369 g]	75mm – 0.2 lb [3.2 oz] 150mm – 0.41 lb [6.5 oz] 300mm – 0.81 lb [13 oz]



### Quick Tip:

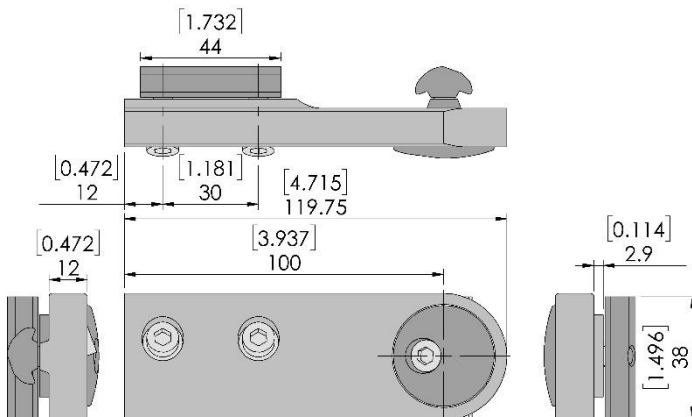
Don't see a length needed for your project? Contact us for custom lengths.



## 40MM ADJUSTABLE ANGLE PLATE KIT – LEFT

40RJP-0421-006-01

Material	6061-T6	
Finish	Type II, Class 2 Anodize, Black	
Parts Included in Kit	(1) 40mm Adj. Angle Plate – Left [40RJP-0421-006-00] (1) Ø27mm Angle Rivet Kit [40RRI-0411-005-01] (1) M6 44mm 2-Hole Angle Nut [40HAN-3407-003-00] (1) M6x1.0x20mm 12.9 Flanged SHCS [00HSW-3507-202-00]	
	<b>Metric</b>	<b>SAE</b>
Weight	0.22 kg [222 g]	0.49 lb [7.8 oz]




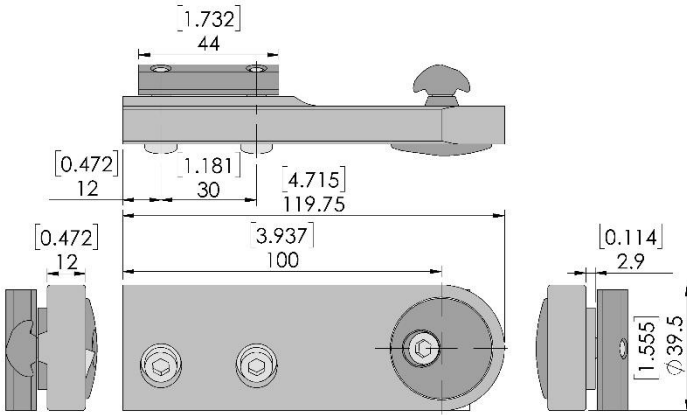
### Quick Tip:

Lightly oil the contact surface of the rivet during installation to aid in assembly and later adjustments.

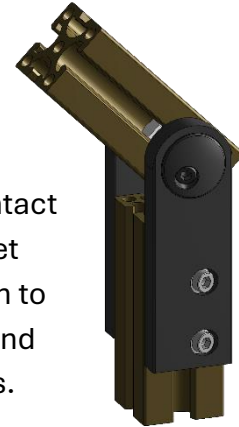


**40MM ADJUSTABLE ANGLE PLATE KIT – RIGHT** **40RJP-0421-007-01**

Material	6061-T6		
Finish	Type II, Class 2 Anodize, Black		
Parts Included in Kit	(1) 40mm Adj. Angle Plate – Right [40RJP-0421-007-00] (1) Ø27mm Angle Rivet Kit [40RRI-0411-005-01] (1) M6 44mm 2-Hole Angle Nut [40HAN-3407-003-00] (1) M6x1.0x20mm 12.9 Flanged SHCS [00HSW-3507-202-00]		
	<b>Metric</b>	<b>SAE</b>	
Weight	0.22 kg [222 g]	0.49 lb [7.8 oz]	



**Quick Tip:**  
 Lightly oil the contact surface of the rivet during installation to aid in assembly and later adjustments.



# NOTES

---

---

---

---

---

---

---

---

---

---

---

---

---

---

---

---

---

---

---

- PROFILES
- COMPONENTS
- RIVET SYSTEM
- DOORS AND FLOORS
- ACCESSORIES
- HARDWARE

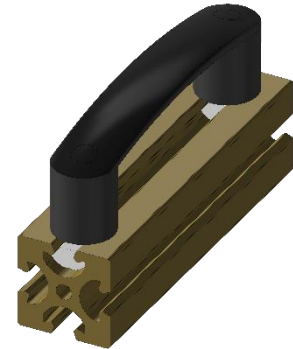
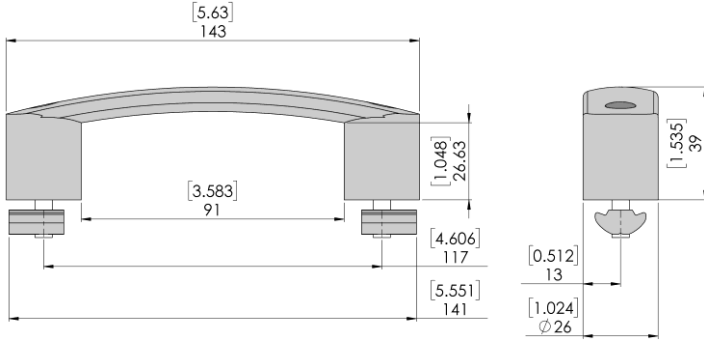
## Doors and Floors

Complete a project with the vast offering of door and floor related components from AngleLock. Whether looking for panels, hinges, casters, or leveling feet, we have it all! These offerings allow for the creation of doors of all sizes, shapes, and styles as well as endless options for connection between your frame and the floor.

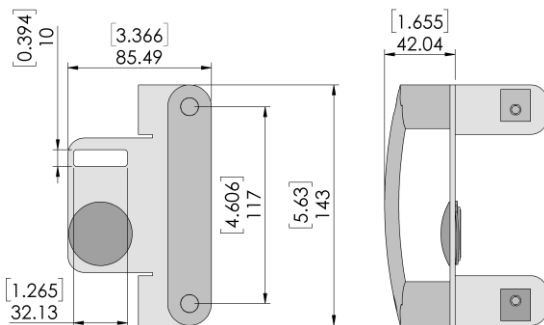
	Description	Part Number	Page
Panels and Retainers	40-6 117MM UNIVERSAL HANDLE KIT W/ BLACK CAPS	40DDH-0401-001-01	41
	40-6 HD BLACK LOCKING DOOR CATCH FACE PLATE KIT	40DDC-3501-002-01	41
	40-6 HD LOCKING DOOR CATCH STRIKE PLATE KIT	40DDC-3507-002-01	42
	40-6 SNAP-IN DOOR SEAL	40D54-0011-01C	42
	40-6 PANEL GASKET/SLOT COVER	40DPG-1411-001-00	43
	40-6 BLACK SNAP-IN DOUBLE 5.6MM PANEL RETAINER	40D04-0011-030	43
	40-6 BLACK SNAP-IN 5.6MM PANEL RETAINER	40D04-0011-020	44
	40-6 BEVELED BLACK SNAP-IN 5.6MM PANEL RETAINER	40D04-0011-010	44
	25X35MM PANEL RETAINER BRACKET KIT	40DPR-0411-001-0X	45
	40MM UNIVERSAL PANEL RETAINER KIT	40DPR-0411-002-00	45
	5.6MM PVC-COATED 1" WITRE MESH PANEL-BLACK	00DWM-3401-001-00	46
	5.6MM PVC-COATED 1" WITRE MESH PANEL-YELLOW	00DWM-3403-001-00	46
	5.6MM CLEAR POLYCARBONATE PANEL	00DPA-1404-003-00	47
	6MM ABS TEXTURED PANEL	00DPA-1401-002-00	47
Hinges	40MM LEFT-HAND INSIDE HINGE KIT	40DHI-0411-001-01	48
	40MM RIGHT-HAND INSIDE HINGE KIT	40DHI-0411-003-01	48
	40MM LEFT-HAND OUTSIDE HINGE KIT	40DHO-0411-001-01	49
	40MM LEFT-HAND OUTSIDE HINGE KIT	40DHO-0411-003-01	49
Caster Plates and Floor Anchors	40X80MM M12 STEM/PLATE CASTER PROFILE MOUNT KIT	40DCP-0401-001-02	50
	40X80MM M12 STEM/HD PLATE CASTER PROFILE MOUNT KIT	40DCP-0401-009-02	50
	70X70MM M12 STEM CASTER MOUNT KIT	40DCP-0401-005-01	51
	70X70MM M12 STEM/PLATE CASTER MOUNT KIT	40DCP-0401-004-01	51
	70X70MM M12 STEM/HD PLATE CASTER END MOUNT KIT	40DCP-0401-008-01	52
	70X70MM HD FLOOR ANCHOR PLATE KIT	40DFA-0501-001-01	52
	80X80MM M12 STEM/PLATE CASTER PROFILE MOUNT KIT	40DCP-0401-003-02	53
	80X80 M12 STEM/HD PLATE CASTER PROFILE MOUNT KIT	40DCP-0401-010-02	53
	40MM FLOOR ANCHOR KIT	40DFA-0401-001-01	54
Leveling Feet and Casters	M8 STEM MOUNT LEVELING FOOT (750KG)	00DLF-3500-001-00	54
	M12 STEM MOUNT LEVELING FOOT (2000 KG)	00DLF-3600-001-00	55
	M12 STEM MOUNT LEVELING CASTER (250 KG)	00DCA-3500-004-00	55
	PLATE MOUNT SWIVEL LEVELING CASTER (250 KG)	00DCA-3500-003-00	56
	M8 STEM MOUNT Ø50MM CASTER W/TOTAL BRAKE (40 KG)	00DCA-3200-001-00	56
	M12 STEM MOUNT Ø75MM CASTER W/TOTAL BRAKE (70 KG)	00DCA-3300-001-00	57
	PLATE MOUNT Ø75MM FIXED CASTER (70 KG)	00DCA-3300-002-00	57
	PLATE MOUNT Ø125MM SWIVEL CASTER W/TOTAL BRAKE (125 KG)	00DCA-3400-002-00	58
	PLATE MOUNT Ø125MM FIXED CASTER (125 KG)	00DCA-3400-001-00	58
	PLATE MOUNT Ø100MM SWIVEL CASTER W/TOTAL BRAKE (400 KG)	00DCA-3500-002-00	59
	PLATE MOUNT Ø100MM FIXED CASTER (400 KG)	00DCA-3500-001-00	59



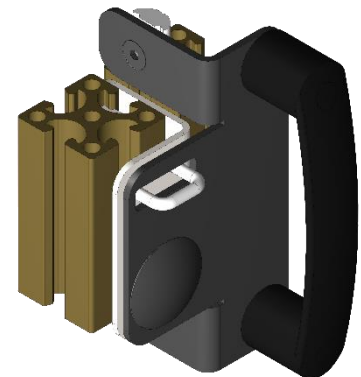
40-6 117MM UNIVERSAL HANDLE KIT W/ BLACK CAPS		40DDH-0401-001-01
Material	Polypropylene	
Finish	Matte Black with Black Caps	
Parts Included in Kit	(1) 117mm Universal Handle-Black Caps [00DDH-0401-001-00] (2) M6x1.0x16mm 10.9 Black Oxide SHCS [00HSW-3401-001-00] (2) M6 20mm 1-Hole Std. Offset Nut [40HSN-3407-001-00]	
	<b>Metric</b>	<b>SAE</b>
Weight	0.098 kg [98 g]	0.22 lb [3.5 oz]



40-6 HD BLACK LOCKING DOOR CATCH FACE PLATE KIT		40DDC-3501-002-01
Material	11 Gauge 1018 Steel	
Finish	Black Epoxy E-Coat	
Parts Included in Kit	(1) 40-6 HD Black Door Catch Face Plate [40DDC-3501-001-00] (2) M6x1.0x14 Hex Drive Flat Head Screw [00HSW-3401-303-00] (2) M6x1.0 20mm 1-Hole Std Offset Nut [40HSN-3407-001-00] (2) M6x1.0x10mm SHCS [00HSW-3501-011-00]	
	<b>Metric</b>	<b>SAE</b>
Weight	0.39 kg [390 g]	0.86 lb [13.8 oz]



**Quick Tip:**  
Use in conjunction with the strike plate kit for a secure, lockable, magnetic catch.



PROFILES

COMPONENTS

RIVET SYSTEM

DOORS AND FLOORS

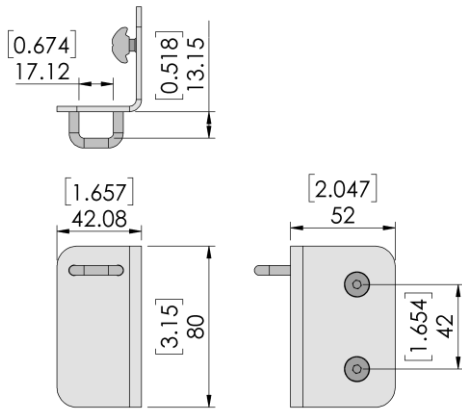
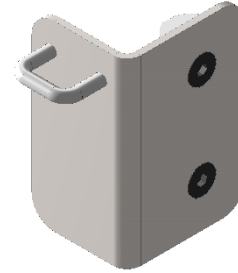
ACCESSORIES

HARDWARE

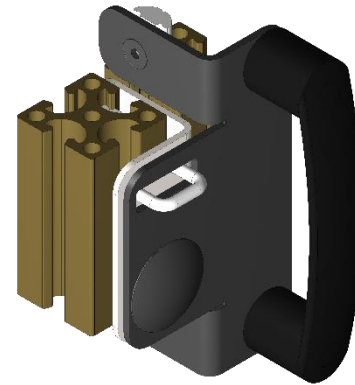
## 40-6 HD LOCKING DOOR CATCH STRIKE PLATE KIT

40DDC-3507-002-01

Material	10 Gauge 1018 Steel	
Finish	Clear Zinc	
Parts Included in Kit	(1) Locking Door Catch Strike Plate [40DDC-3507-002-00] (2) M6x1.0 20mm Bright Zinc 1-Hole Std Offset Nut [40HSN-3407-001-00] (2) M6x1.0x14mm Hex Drive Flat Head Screw [00HSW-3401-303-00]	
	<b>Metric</b>	<b>SAE</b>
Weight	0.19 kg [118 g]	0.41 lb [6.6 oz]



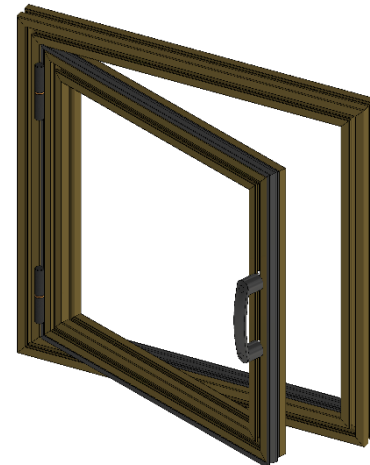
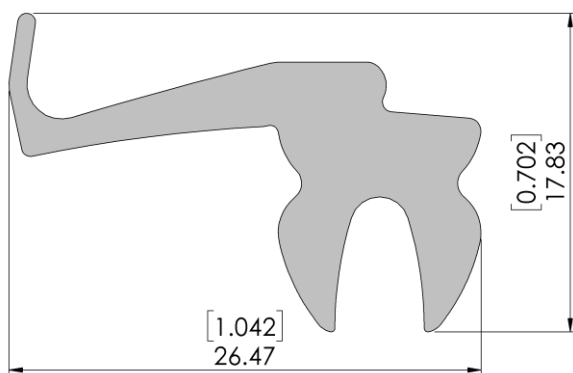
**Quick Tip:**  
Use in conjunction with the face plate kit for a secure, lockable, magnetic catch.



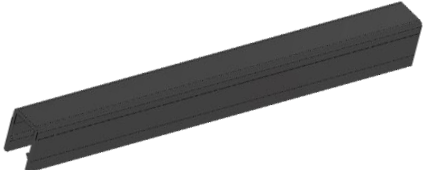
## 40-6 SNAP-IN DOOR SEAL

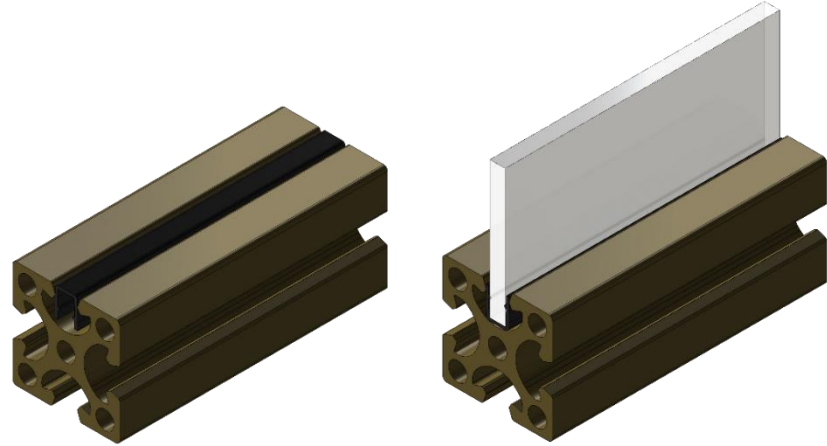
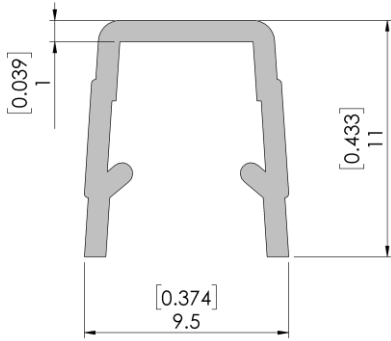
40D54-0011-01C

Material	Santoprene	
Finish	Matte Black	
Parts Included in Kit	(1) 40-6 Snap-In Door Seal (Cut Lengths) [40D54-0011-01C]	
	<b>Metric</b>	<b>SAE</b>
Weight Per Length	0.14 kg/m	0.09 lb/ft

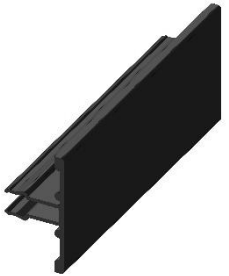


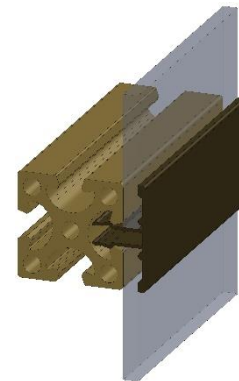
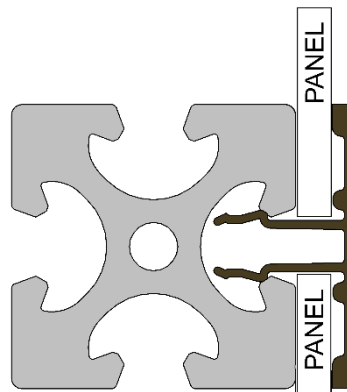
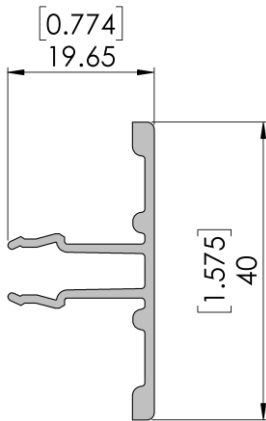
**40-6 PANEL GASKET/SLOT COVER** **40DPG-1411-001-00**

Material	Polypropylene		
Finish	Matte Black		
Parts Included in Kit	(1) 40-6 Panel Gasket/Slot Cover-2000mm [40DPG-1411-001-00]		
	<b>Metric</b>	<b>SAE</b>	
Weight	0.19 kg [190 g]	0.42 lbs [6.7 oz]	



**40-6 BLACK SNAP-IN DOUBLE 5.6MM PANEL RETAINER** **40D04-0011-030**

Material	6005-T5		
Finish	Type II, Architectural Class I Anodize		
Available Color(s)	Black		
	<b>Metric</b>	<b>SAE</b>	
Weight Per Length	0.31 kg/m	0.21 lb/ft	
Available Length(s): 40D04-0011-030 40D04-0011-03C	3683 mm 25 - 3683mm	145 in 1 - 145 in	



PROFILES

COMPONENTS

RIVET SYSTEM

DOORS AND FLOORS

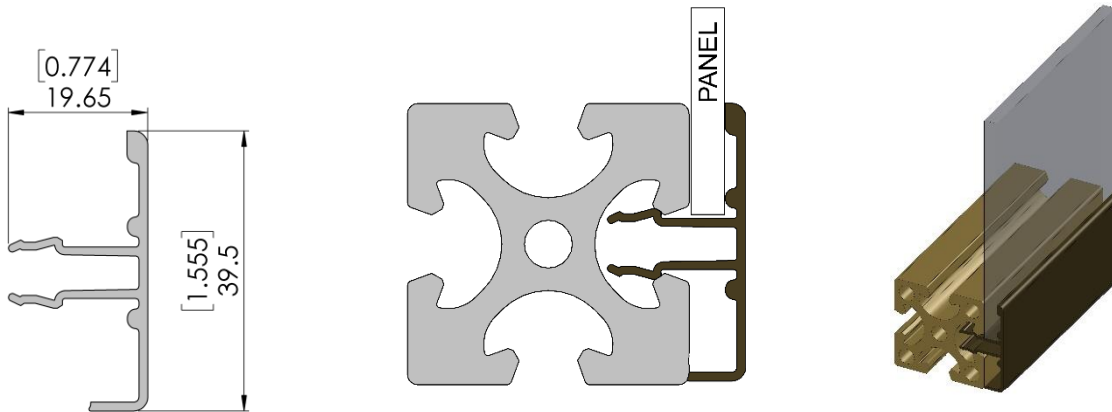
ACCESSORIES

HARDWARE

## 40-6 BLACK SNAP-IN 5.6MM PANEL RETAINER

40D04-0011-020

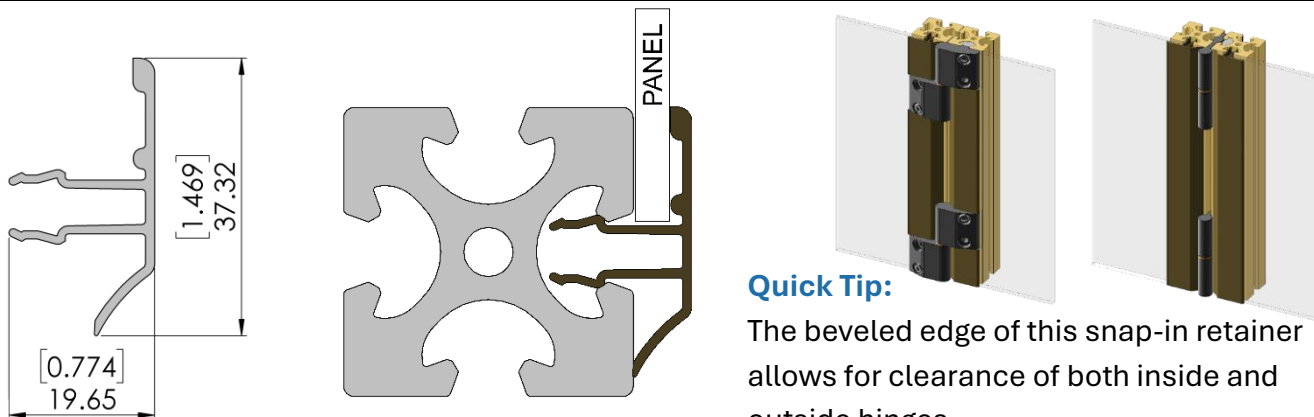
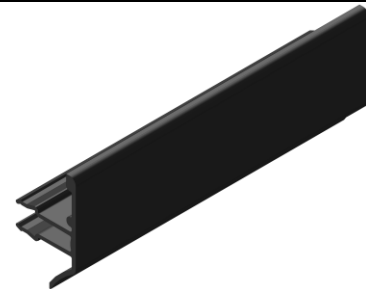
Material	6005-T5	
Finish	Type II, Architectural Class I Anodize	
Available Color(s)	Black	
	<b>Metric</b>	<b>SAE</b>
Weight Per Length	0.349 kg/m	0.235 lb/ft
Available Length(s): 40D04-0011-020 40D04-0011-02C	3683 mm 25 – 3683mm	145 in 1 – 145 in



## 40-6 BEVELED BLACK SNAP-IN 5.6MM PANEL RETAINER

40D04-0011-010

Material	6005-T5	
Finish	Type II, Architectural Class I Anodize	
Available Color(s)	Black	
	<b>Metric</b>	<b>SAE</b>
Weight Per Length	0.300 kg/m	0.205 lb/ft
Available Length(s): 40D04-0011-010 40D04-0011-01C	3683 mm 25 – 3683mm	145 in 1 – 145 in

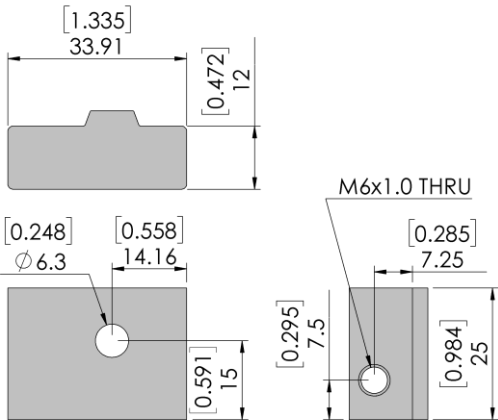
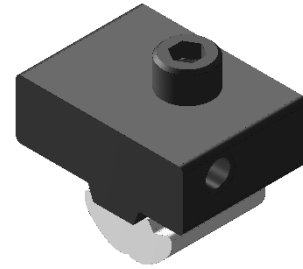


**Quick Tip:**

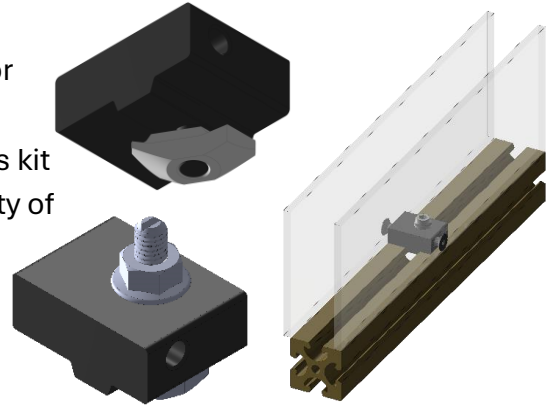
The beveled edge of this snap-in retainer allows for clearance of both inside and outside hinges.

**25X35MM PANEL RETAINER BRACKET KIT** **40DPR-0411-001-0X**

Material	6061-T6	
Finish	Type II, Architectural Class I Anodize	
Available Configurations	Panel Retainer Bracket w/M6 Straight Nut [40DPR-0411-001-02] Panel Retainer Bracket w/M6 Drop-In Stud [40DPR-0411-001-01] Panel Retainer Bracket w/M6 Drop-In Nut [40DPR-0411-001-03]	
	<b>Metric</b>	<b>SAE</b>
Weight	≈0.05 kg [50 g]	≈0.11 lb [1.8 oz]

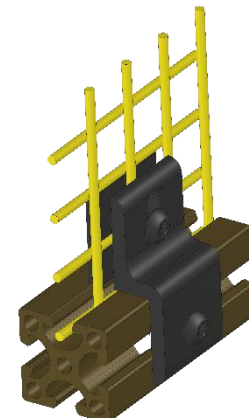
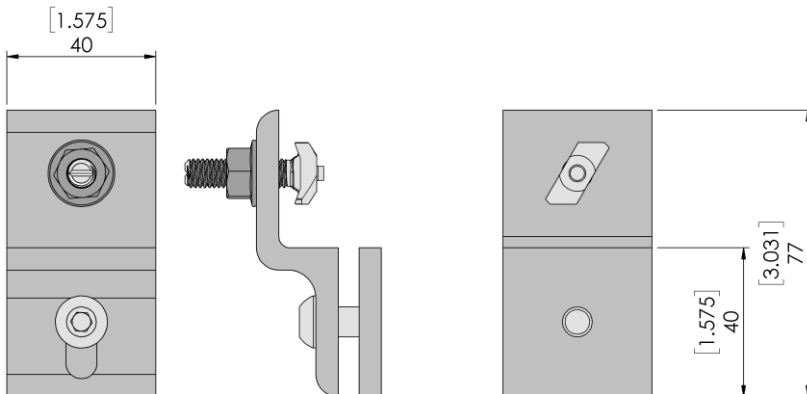


**Quick Tip:**  
Utilize this bracket for either flush or inset mounted panels. This kit is available in a variety of configurations. See table for available options.



**40MM UNIVERSAL PANEL RETAINER KIT** **40DPR-0411-002-00**

Material	6061-T6	
Finish	Type II, Architectural Class I Anodize	
Parts Included in Kit	(1) 40mm Universal Panel Retainer [40DPR-0411-002-01] (2) M6x1.0 20mm Bright Zinc 1-Hole Std Offset Nut [40HSN-3407-001-00] (2) m8x16MM Button SCHS [00HSW-3401-502-00]	
	<b>Metric</b>	<b>SAE</b>
Weight Per Length	0.12 kg [117 g]	0.26 lb [4.2 oz]



PROFILES

COMPONENTS

RIVET SYSTEM

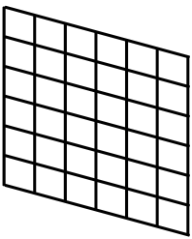
DOORS AND FLOORS

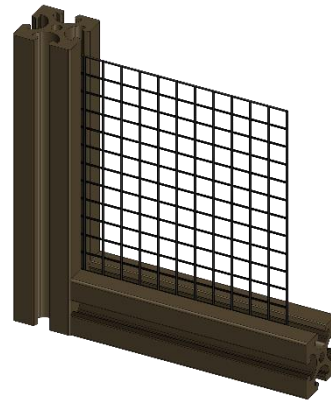
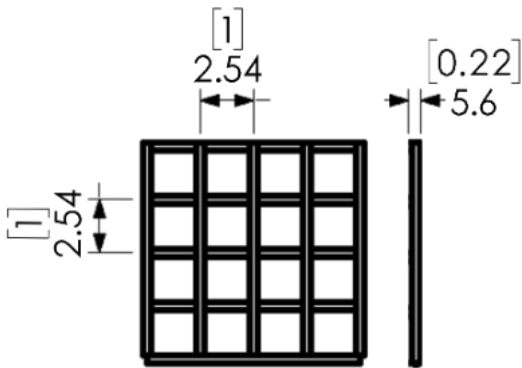
ACCESSORIES

HARDWARE

## 5.6MM PVC-COATED 1" WITRE MESH PANEL-BLACK

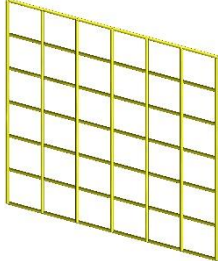
00DWM-3401-001-00

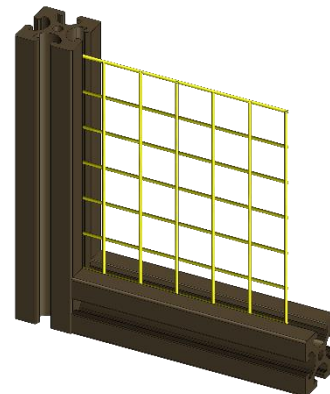
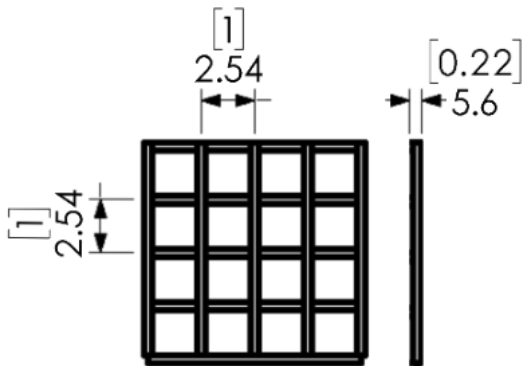
Material	PVC-coated Steel		
Available Color(s)	Black		
	<b>Metric</b>	<b>SAE</b>	
Full Sheet Weight Weight Per Length	14.08 kg 4.736 kg/m <sup>2</sup>	31.04 lb 0.97 lb/ft <sup>2</sup>	
Available Size(s): 00DWM-3401-001-00 00DWM-3401-001-0C	1219 x 2438 mm 25-1219mm x 25-2439mm	48" x 96" 1"-48" x 1"-96"	



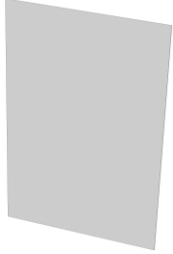
## 5.6MM PVC-COATED 1" WITRE MESH PANEL-YELLOW

00DWM-3403-001-00


Material	PVC-coated Steel		
Available Color(s)	Yellow		
	<b>Metric</b>	<b>SAE</b>	
Full Sheet Weight Weight Per Length	14.08 kg 4.736 kg/m <sup>2</sup>	31.04 lb 0.97 lb/ft <sup>2</sup>	
Available Size(s): 00DWM-3403-001-00 00DWM-3403-001-0C	1219 x 2438 mm 25-1219mm x 25-2439mm	48" x 96" 1"-48" x 1"-96"	



**5.6MM CLEAR POLYCARBONATE PANEL** **00DPA-1404-003-00**

Material	Polycarbonate		
Available Color(s)	Clear		
	<b>Metric</b>	<b>SAE</b>	
Full Sheet Weight Weight Per Area	19.77 kg 6.65 kg/m <sup>2</sup>	43.58 lb 1.36 lb/ft <sup>2</sup>	
Available 00DPA-1404-003-00 Size(s): 00DPA-1404-003-0C	1219 x 2438 mm 25-1219mm x 25-2439mm	48" x 96" 1"-48" x 1"-96"	

**6MM ABS TEXTURED PANEL – BLACK** **00DPA-1401-002-00**

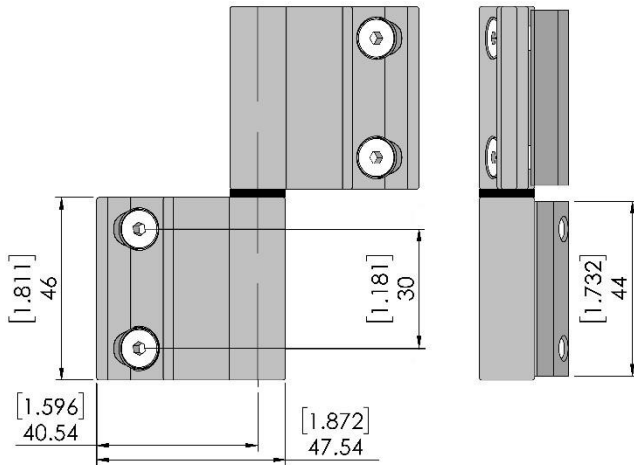
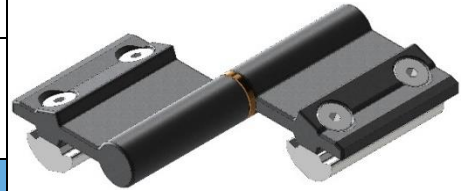
Material	Acrylonitrile Butadiene Styrene		
Available Color(s)	Black		
	<b>Metric</b>	<b>SAE</b>	
Full Sheet Weight Weight Per Area	18.19 kg 6.12 kg/m <sup>2</sup>	40.11 lb 1.25 lb/ft <sup>2</sup>	
Available 00DPA-1401-002-00 Size(s): 00DPA-1401-002-0C	1219 x 2438 mm 25-1219mm x 25-2439mm	48" x 96" 1"-48" x 1"-96"	

- PROFILES
- COMPONENTS
- RIVET SYSTEM
- DOORS AND FLOORS
- ACCESSORIES
- HARDWARE

## 40MM LEFT-HAND INSIDE HINGE KIT

40DHI-0411-001-01

Material	6061-T6	
Finish	Type II, Class 2 Anodize, Black	
Parts Included in Kit	(1) 40mm LH Inside Hinge-Bushing Side [40DHI-0411-001-00] (1) 40mm LH Inside Hinge-Pin Side [40DHI-0411-002-00] (2) M6 44mm 2-Hole Angle Nut [40HAN-3407-003-00] (4) M6x1.0x16mm 10.9 Ultra Low Head SHCS [00HSW-3401-400-01]	
	<b>Metric</b>	<b>SAE</b>
Weight	0.19 kg [186 g]	0.4 lb [6.5 oz]



### Quick Tip:

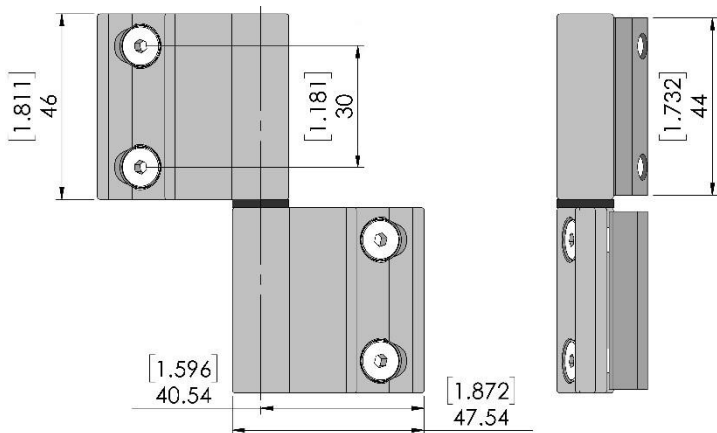
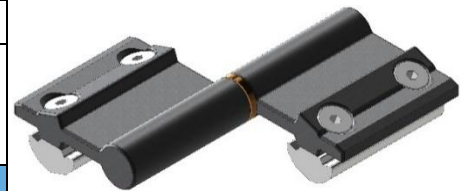
Pair left and right hinges for a captive mounting situation (left). Pair two of the same side hinge for a lift off situation (right).



## 40MM RIGHT-HAND INSIDE HINGE KIT

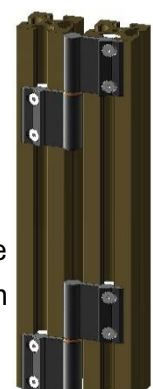
40DHI-0411-003-01

Material	6061-T6	
Finish	Type II, Class 2 Anodize, Black	
Parts Included in Kit	(1) 40mm RH Inside Hinge-Bushing Side [40DHI-0411-003-00] (1) 40mm RH Inside Hinge-Pin Side [40DHI-0411-004-00] (2) M6 44mm 2-Hole Angle Nut [40HAN-3407-003-00] (4) M6x1.0x16mm 10.9 Ultra Low Head SHCS [00HSW-3401-400-01]	
	<b>Metric</b>	<b>SAE</b>
Weight	0.19 kg [186 g]	0.4 lb [6.5 oz]



### Quick Tip:

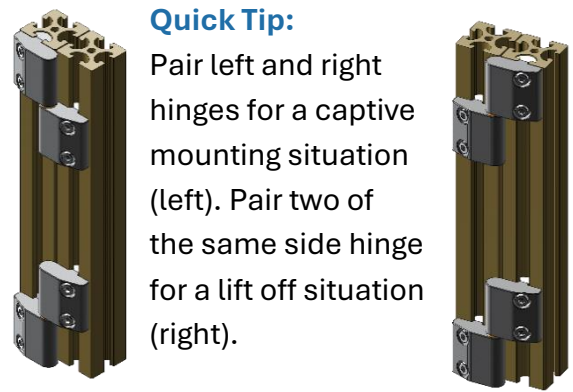
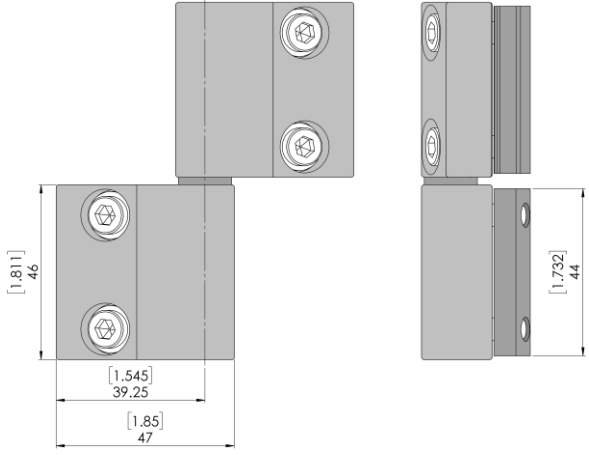
Pair left and right hinges for a captive mounting situation (left). Pair two of the same side hinge for a lift off situation (right).





**40MM LEFT-HAND OUTSIDE HINGE KIT** **40DHO-0411-001-01**

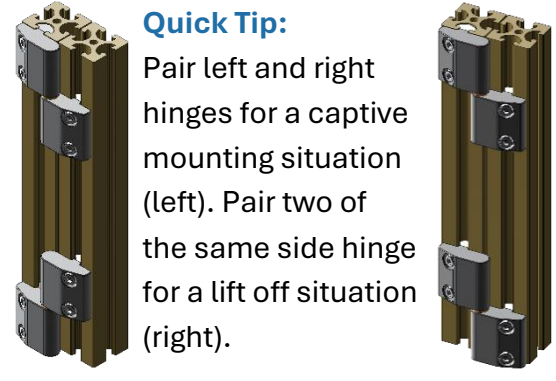
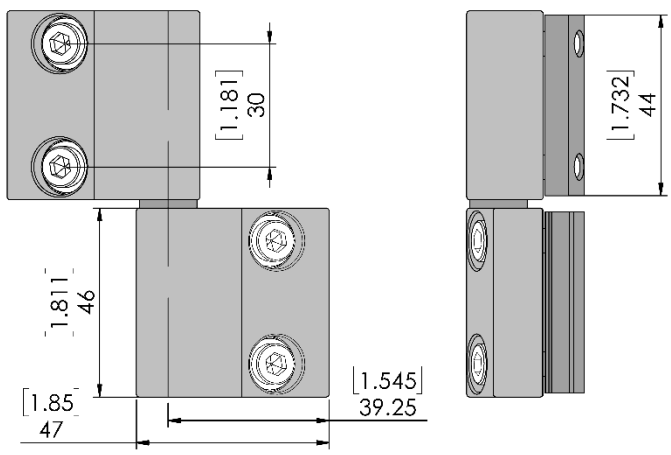
Material	6061-T6	
Finish	Type II, Class 2 Anodize, Black	
Parts Included in Kit	(1) 40mm LH Outside Hinge-Bushing Side [40DHO-0411-001-00] (1) 40mm LH Outside Hinge-Pin Side [40DHO-0411-002-00] (2) M6 44mm 2-Hole Angle Nut [40HAN-3407-003-00] (4) M6x1.0x20mm 12.9 Flanged SHCS [00HSW-3507-202-00]	
	<b>Metric</b>	<b>SAE</b>
Weight	0.26 kg [259 g]	0.57 lb [9.1 oz]



**Quick Tip:**  
Pair left and right hinges for a captive mounting situation (left). Pair two of the same side hinge for a lift off situation (right).

**40MM LEFT-HAND OUTSIDE HINGE KIT** **40DHO-0411-003-01**

Material	6061-T6	
Finish	Type II, Class 2 Anodize, Black	
Parts Included in Kit	(1) 40mm LH Outside Hinge-Bushing Side [40DHO-0411-003-00] (1) 40mm LH Outside Hinge-Pin Side [40DHO-0411-004-00] (2) M6 44mm 2-Hole Angle Nut [40HAN-3407-003-00] (4) M6x1.0x20mm 12.9 Flanged SHCS [00HSW-3507-202-00]	
	<b>Metric</b>	<b>SAE</b>
Weight	0.26 kg [259 g]	0.57 lb [9.1 oz]



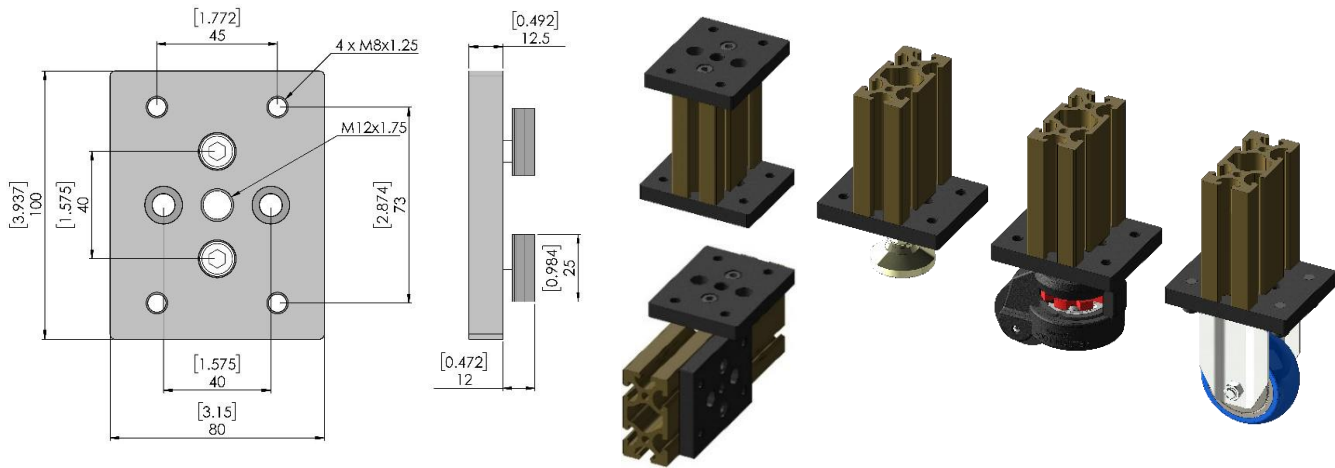
**Quick Tip:**  
Pair left and right hinges for a captive mounting situation (left). Pair two of the same side hinge for a lift off situation (right).

- PROFILES
- COMPONENTS
- RIVET SYSTEM
- DOORS AND FLOORS
- ACCESSORIES
- HARDWARE

## 40X80MM M12 STEM/PLATE CASTER PROFILE MOUNT KIT

40DCP-0401-001-02

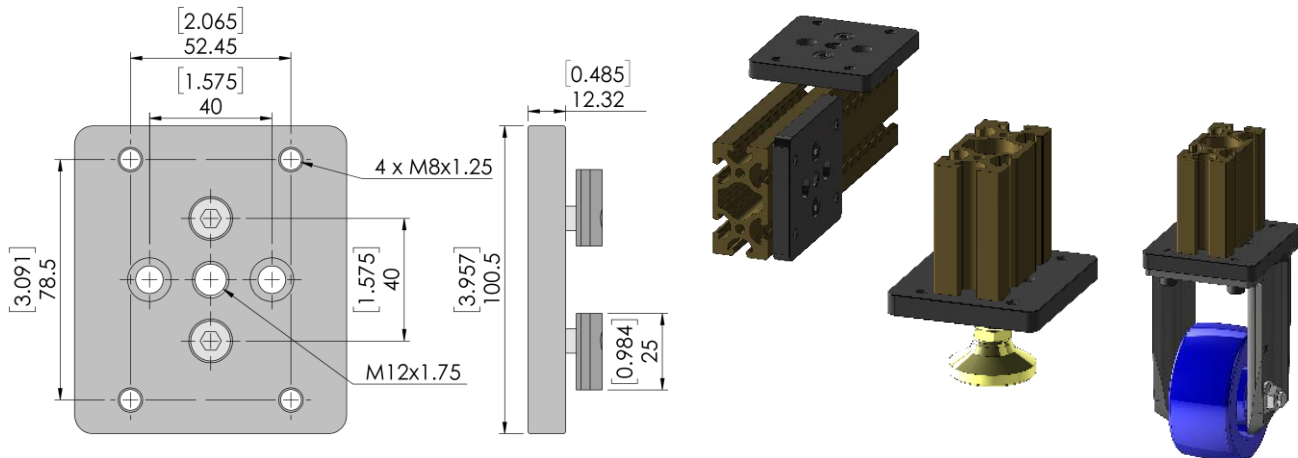
Material	6061-T6	
Finish	Type II, Class 2 Anodize, Black	
Parts Included in Kit	(1) 40x80mm M12 Stem/Plate Caster Mount [40DCP-0401-001-00] (2) M8x1.25x16mm 10.9 SHCS [00HSW-3401-002-00] (2) M8 25mm 1-Hole Std. Offset Nut [40HSN-3507-001-00]	
	<b>Metric</b>	<b>SAE</b>
Weight	0.30 kg [306 g]	0.67 lb [10.8 oz]



## 40X80MM M12 STEM/HD PLATE CASTER PROFILE MOUNT KIT

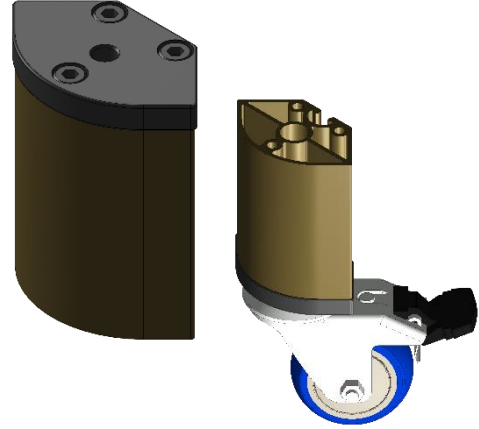
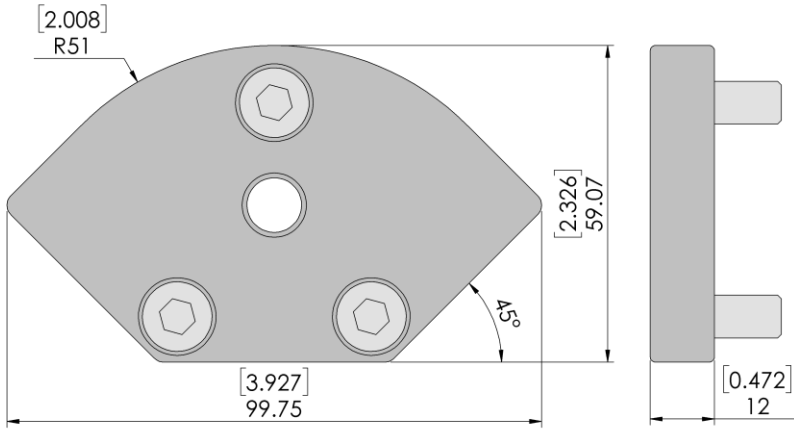
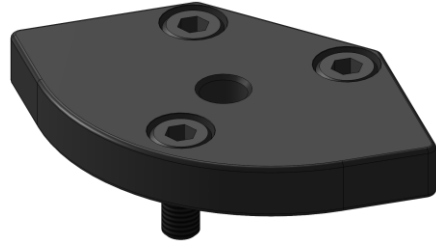
40DCP-0401-009-02

Material	6061-T6	
Finish	Type II, Class 2 Anodize, Black	
Parts Included in Kit	(1) 40x80mm M12 Stem/HD Plate Caster Mount [40DCP-0401-009-00] (2) M8x1.25x16mm 10.9 SHCS [00HSW-3401-002-00] (2) M8 25mm 1-Hole Std. Offset Nut [40HSN-3507-001-00]	
	<b>Metric</b>	<b>SAE</b>
Weight	0.34 kg [336 g]	0.74 lbs [11.9 oz]



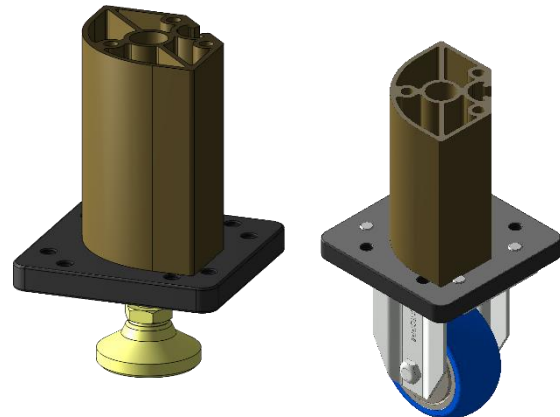
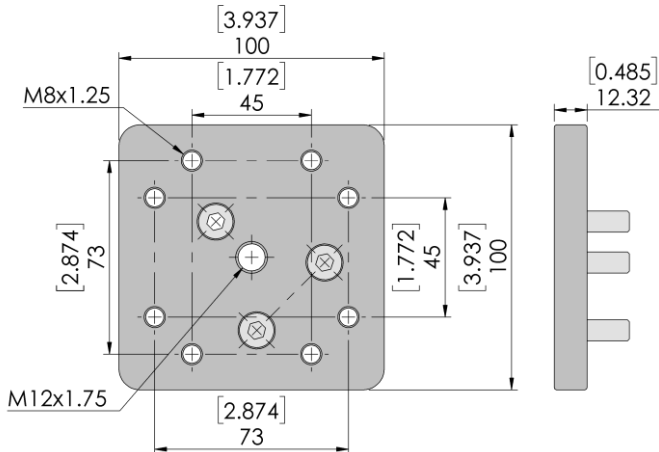
**70X70MM M12 STEM CASTER MOUNT KIT** **40DCP-0401-005-01**

Material	6061-T6	
Finish	Type II, Class 2 Anodize, Black	
Parts Included in Kit	(1) 70x70mm M12 Stem Caster Mount [40DCP-0401-005-00] (3) M8x1.25x16mm 10.9 Black Oxide SHCS [00HSW-3401-002-00]	
	<b>Metric</b>	<b>SAE</b>
Weight	0.13 kg [132 g]	0.29 lb [4.7 oz]



**70X70MM M12 STEM/PLATE CASTER MOUNT KIT** **40DCP-0401-004-01**

Material	6061-T6	
Finish	Type II, Class 2 Anodize, Black	
Parts Included in Kit	(1) 70x70mm M12 Caster Mount [40DCP-0401-004-00] (3) M8x1.25x16mm 10.9 Black Oxide SHCS [00HSW-3401-002-00]	
	<b>Metric</b>	<b>SAE</b>
Weight	0.37 kg [371 g]	0.82 lb [13.1 oz]

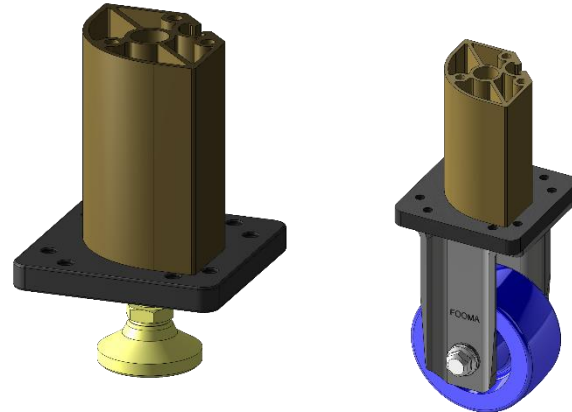
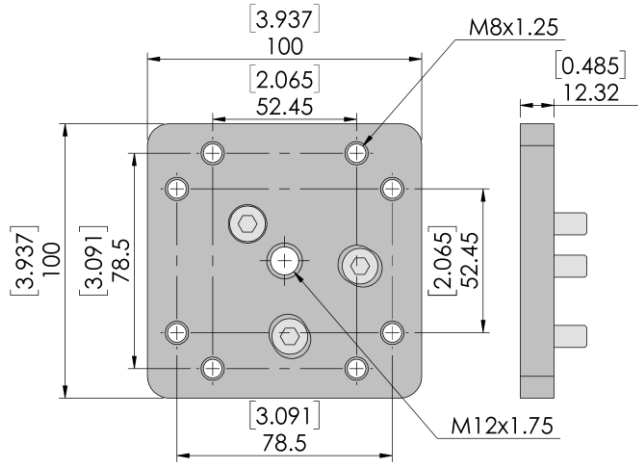


- PROFILES
- COMPONENTS
- RIVET SYSTEM
- DOORS AND FLOORS
- ACCESSORIES
- HARDWARE

## 70X70MM M12 STEM/HD PLATE CASTER END MOUNT KIT

40DCP-0401-008-01

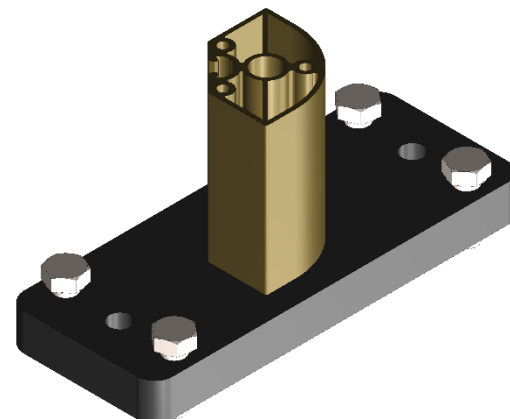
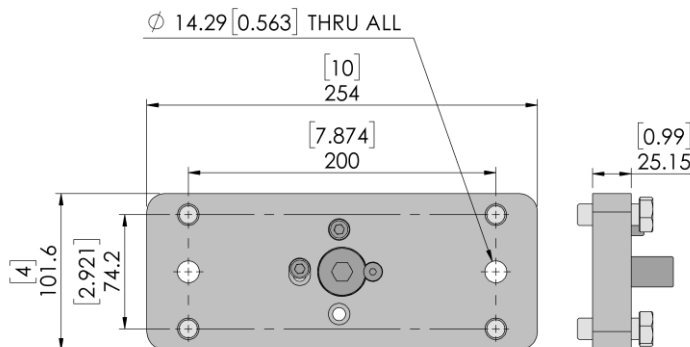
Material	6061-T6	
Finish	Type II, Class 2 Anodize, Black	
Parts Included in Kit	(1) 70x70mm M12 HD Caster Mount [40DCP-0401-008-00] (3) M8x1.25x16mm 10.9 Black Oxide SHCS [00HSW-3401-002-00]	
	<b>Metric</b>	<b>SAE</b>
Weight	0.35 kg [345 g]	0.76 lbs [12.2 oz]



## 70X70MM HD FLOOR ANCHOR PLATE KIT

40DFA-0501-001-01

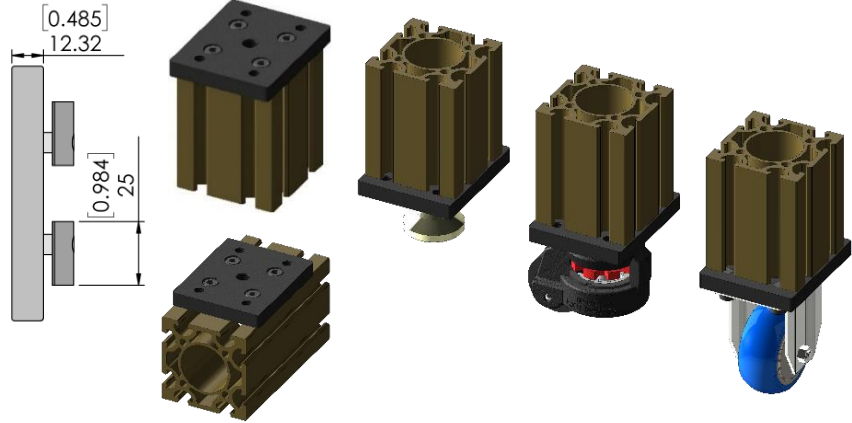
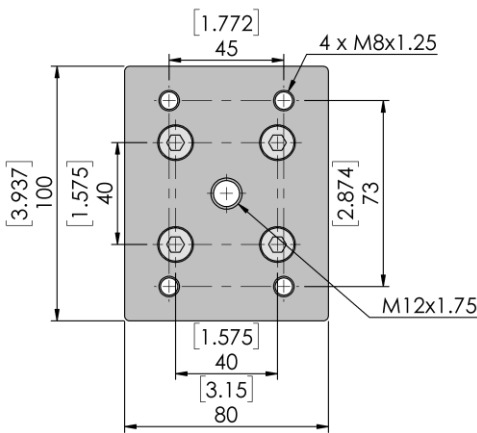
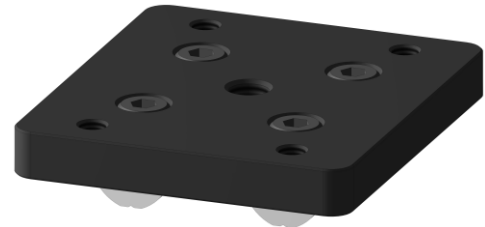
Material	6061-T6	
Finish	Type II, Class 2 Anodize, Black	
Parts Included in Kit	(1) 70x70 M12 Stem/HD Plate Caster End Mount [40DFA-0501-001-00] (1) M20x1.5x45mm 7075-T6 CDI Flat Head SHCS [00HSW-0401-800-00] (2) M8x1.25x30mm 12.9 Black Oxide SHCS [00HSW-3501-014-00] (1) M6x1.0x12mm 18-8 SS Flat Head SHCS-LH Thread [00HSW-3400-300-00]	
	<b>Metric</b>	<b>SAE</b>
Weight	1.67 kg [1674 g]	3.69 lb [59.0 oz]



**80X80MM M12 STEM/PLATE CASTER PROFILE MOUNT KIT**

**40DCP-0401-003-02**

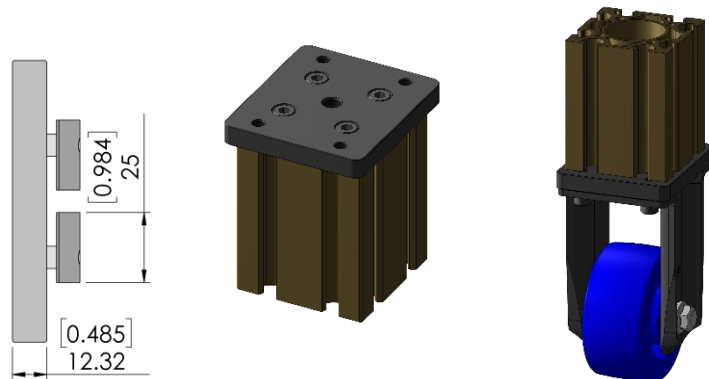
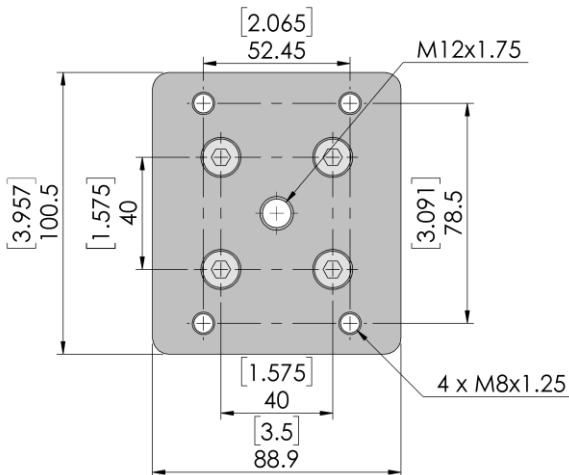
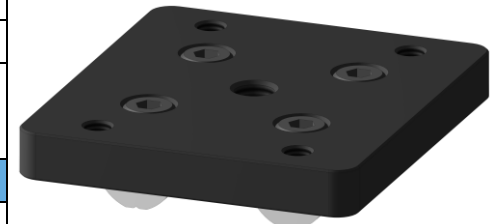
Material	6061-T6	
Finish	Type II, Class 2 Anodize, Black	
Parts Included in Kit	(1) 80x80mm M12 Stem/Plate Caster Mount [40DCP-0401-003-00] (4) M8x1.25x16mm 10.9 Black Oxide SHCS [00HSW-3401-002-00] (4) M8 25mm 1-Hole Std. Offset Nut [40HSN-3507-001-00]	
	<b>Metric</b>	<b>SAE</b>
Weight	0.37 kg [371 g]	0..82 lbs [13.1 oz]



**80X80 M12 STEM/HD PLATE CASTER PROFILE MOUNT KIT**

**40DCP-0401-010-02**

Material	6061-T6	
Finish	Type II, Class 2 Anodize, Black	
Parts Included in Kit	(1) 80x80mm M12 Stem/HD Caster End Mount [40DCP-0401-010-00] (4) M8x1.25x16mm 10.9 Black Oxide SHCS [00HSW-3401-002-00] (4) M8 25mm 1-Hole Std. Offset Nut [40HSN-3507-001-00]	
	<b>Metric</b>	<b>SAE</b>
Weight	0.40 kg [400 g]	0.88 lb [14.1 oz]



PROFILES

COMPONENTS

RIVET SYSTEM

DOORS AND FLOORS

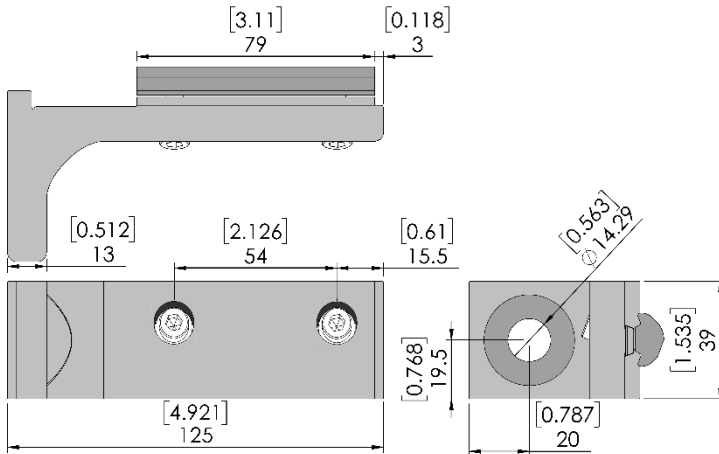
ACCESSORIES

HARDWARE

## 40MM FLOOR ANCHOR KIT

40DFA-0401-001-01

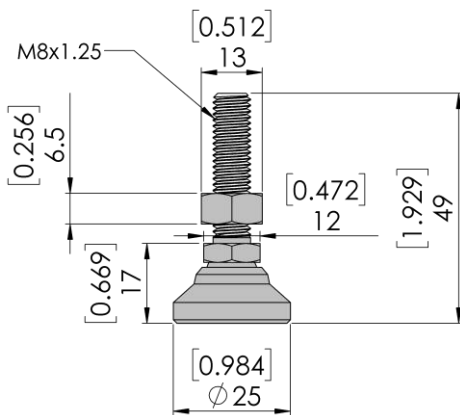
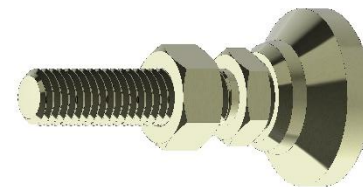
Material	6061-T6	
Finish	Type II, Class 2 Anodize, Black	
Parts Included in Kit	(1) 40mm Floor Anchor [40DFA-0401-001-00] (1) M6 60mm 2-Hole Angle Nut [40HAN-3407-005-00] (2) M6x1.0x20mm 12.9 Flanged SHCS [00HSW-3507-202-00]	
	<b>Metric</b>	<b>SAE</b>
Weight	0.30 kg [302 g]	0.67 lbs [10.7 oz]



## M8 STEM MOUNT LEVELING FOOT (750KG)

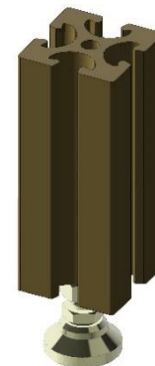
00DLF-3500-001-00

Material	Steel	
Finish	Yellow Zinc	
Parts Included in Kit	(1) M8 Stem Mount Leveling Foot [00DLF-3500-001-00]	
	<b>Metric</b>	<b>SAE</b>
Weight	0.045 kg [45 g]	0.1 lbs [1.6 oz]



### Quick Tip:

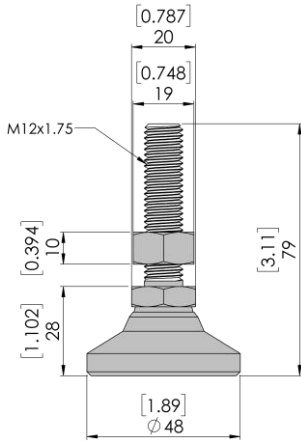
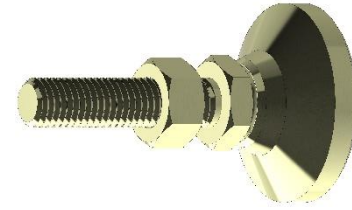
Most AngleLock profile cavities are designed to accept a M8x1.25 tap without predrilling. Simply tap the end of the profile and this leveling foot is ready to mount.



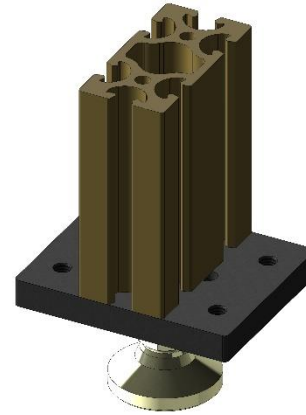
**M12 STEM MOUNT LEVELING FOOT (2000 KG)**

**00DLF-3600-001-00**

Material	Steel	
Finish	Yellow Zinc	
Parts Included in Kit	(1) M12 Stem Mount Leveling Foot [00DLF-3600-001-00]	
	<b>Metric</b>	<b>SAE</b>
Weight	0.218 kg [218 g]	0.48 lb [7.7 oz]



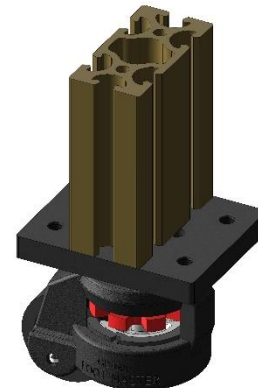
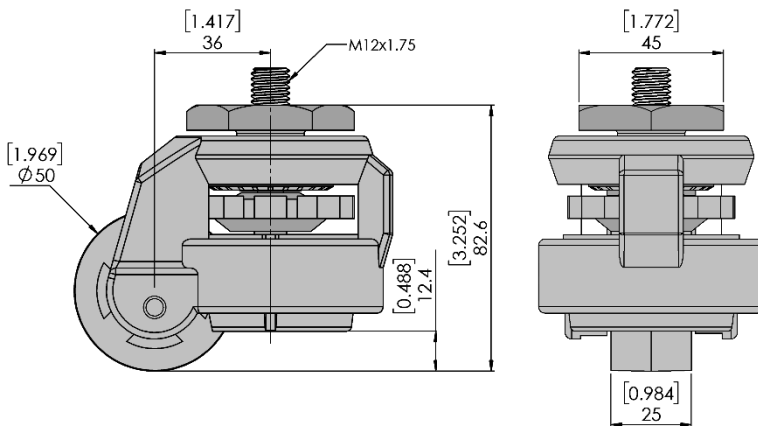
**Quick Tip:**  
The M12 Leveling foot requires a stem mount plate for mounting.



**M12 STEM MOUNT LEVELING CASTER (250 KG)**

**00DCA-3500-004-00**

Material	Cast Aluminum Body, Nylon Wheel	
Finish	Black	
Parts Included in Kit	(1) M12 Stem Mount Leveling Caster [00DLA-3400-004-00]	
	<b>Metric</b>	<b>SAE</b>
Weight	0.61 kg [612 g]	1.4 lb [21.6 oz]



PROFILES

COMPONENTS

RIVET SYSTEM

DOORS AND FLOORS

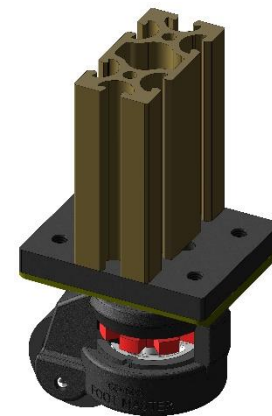
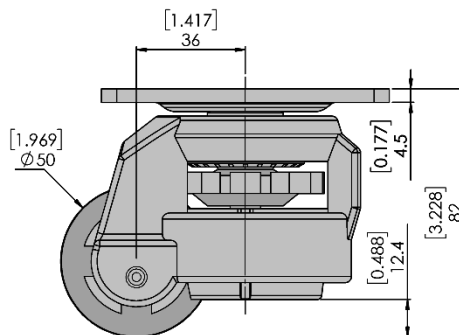
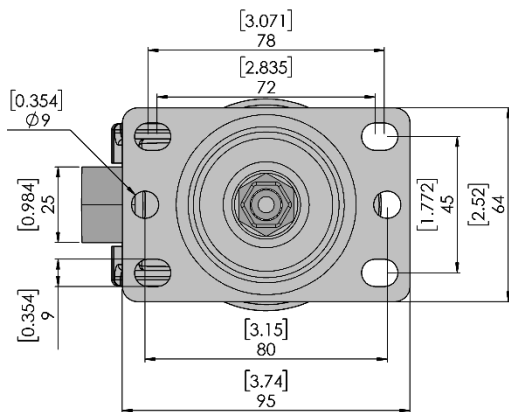
ACCESSORIES

HARDWARE

## PLATE MOUNT SWIVEL LEVELING CASTER (250 KG)

00DCA-3500-003-00

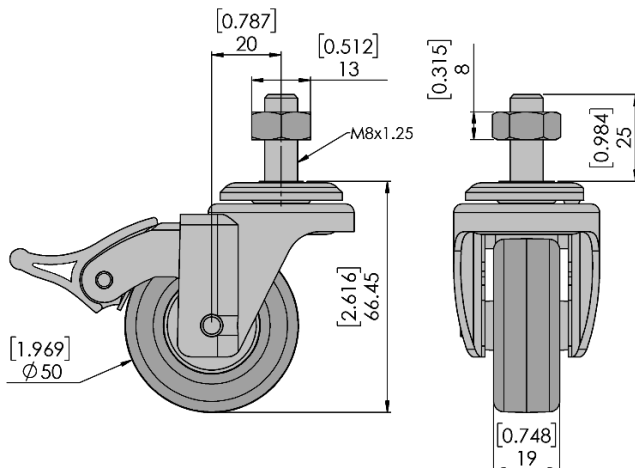
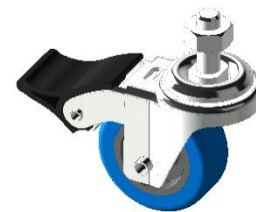
Material	Cast Aluminum Body, Nylon Wheel	
Finish	Black	
Parts Included in Kit	(1) M12 Plate Mount Swivel Leveling Caster [00DLA-3400-003-00]	
	<b>Metric</b>	<b>SAE</b>
Weight	0.680 kg [680 g]	1.5 lbs [24.0 oz]



## M8 STEM MOUNT Ø50MM CASTER W/TOTAL BRAKE (40 KG)

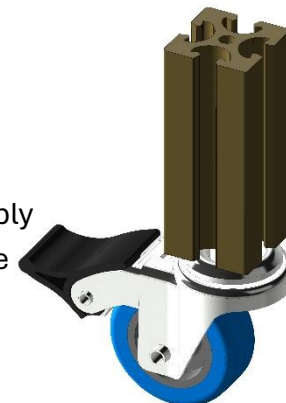
00DCA-3200-001-00

Material	Steel Body, Thermoplastic Wheel	
Finish	Clear Zinc	
Parts Included in Kit	(1) M8 Stem Mount Ø50mm Caster w/ Total Brake (40 kg) [00DCA-3200-001-00]	
	<b>Metric</b>	<b>SAE</b>
Weight	0.49 kg [499 g]	1.10 lb [17.6 oz]



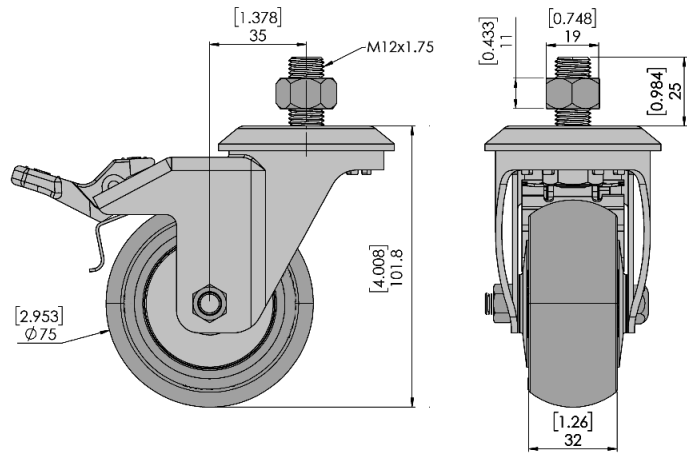
### Quick Tip:

Most AngleLock profile cavities are designed to accept a M8x1.25 tap without predrilling. Simply tap the end of the profile and this leveling foot is ready to mount.





M12 STEM MOUNT Ø75MM CASTER W/TOTAL BRAKE (70 KG)		00DCA-3300-001-00
Material	Steel Body, Thermoplastic Wheel	
Finish	Clear Zinc	
Parts Included in Kit	(1) M12 Stem Mount Ø75mm Caster w/ Total Brake (70 kg) [00DCA-3300-001-00]	
	<b>Metric</b>	<b>SAE</b>
Weight	0.52 kg [521 g]	1.14 lbs [18.4 oz]



**Quick Tip:**  
Caster plates are available to adapt casters to a variety of profiles.

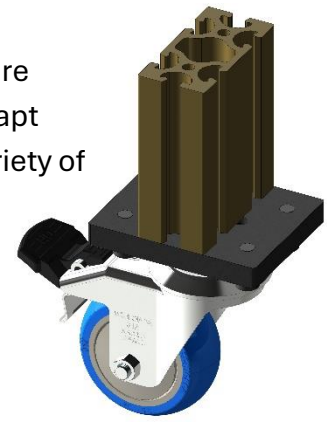
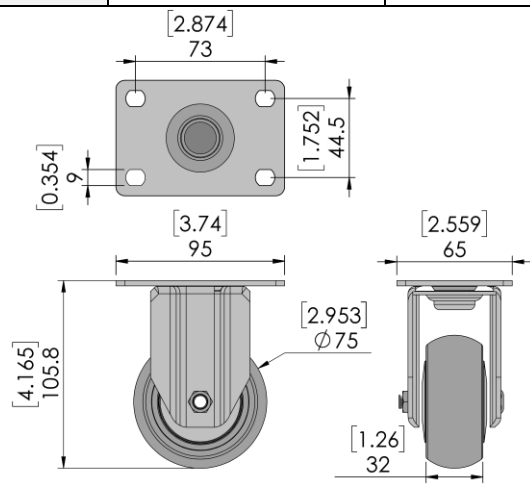
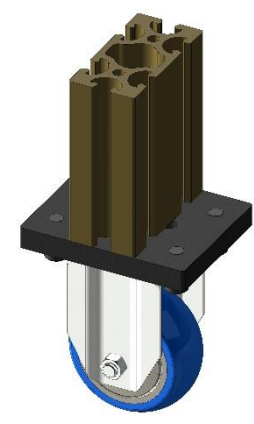


PLATE MOUNT Ø75MM FIXED CASTER (70 KG)		00DCA-3300-002-00
Material	Steel Body, Thermoplastic Wheel	
Finish	Clear Zinc	
Parts Included in Kit	(1) Plate Mount Ø75mm Fixed Caster [00DCA-3300-002-00]	
	<b>Metric</b>	<b>SAE</b>
Weight	0.49 kg [499 g]	1.10 lb [17.6 oz]



**Quick Tip:**  
Caster plates are available to adapt casters to a variety of profiles.

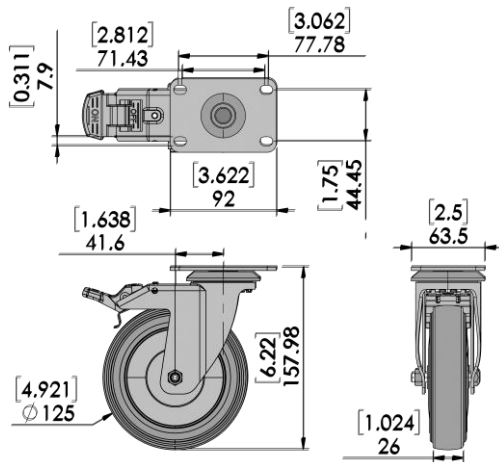


- PROFILES
- COMPONENTS
- RIVET SYSTEM
- DOORS AND FLOORS
- ACCESSORIES
- HARDWARE

## PLATE MOUNT Ø125MM SWIVEL CASTER W/TOTAL BRAKE (125 KG)

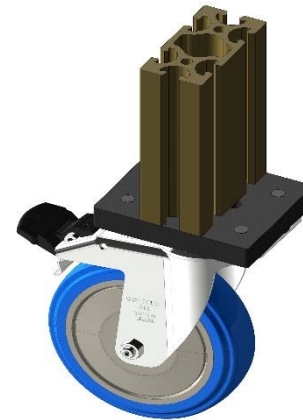
00DCA-3400-002-00

Material	Steel Body, Thermoplastic Wheel	
Finish	Clear Zinc	
Parts Included in Kit	(1) Plate Mount Ø125mm Swivel Caster [00DCA-3400-002-00]	
	<b>Metric</b>	<b>SAE</b>
Weight	0.98 kg [975 g]	2.15 lb [34.4 oz]



### Quick Tip:

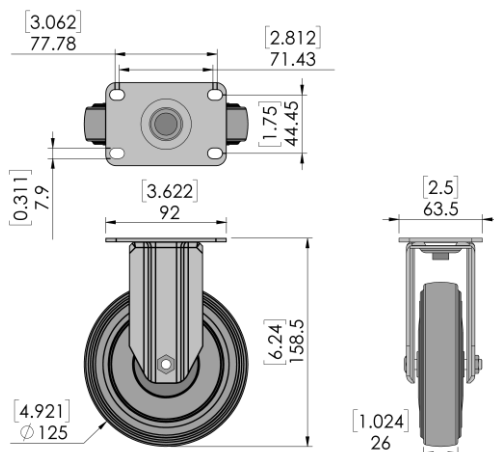
Caster plates are available to adapt casters to a variety of profiles.



## PLATE MOUNT Ø125MM FIXED CASTER (125 KG)

00DCA-3400-001-00

Material	Steel Body, Thermoplastic Wheel	
Finish	Clear Zinc	
Parts Included in Kit	(1) Plate Mount Ø125mm Fixed Caster [00DCA-3400-001-00]	
	<b>Metric</b>	<b>SAE</b>
Weight	0.77 kg [771 g]	1.70 lb [27.2 oz]



### Quick Tip:

Caster plates are available to adapt casters to a variety of profiles.

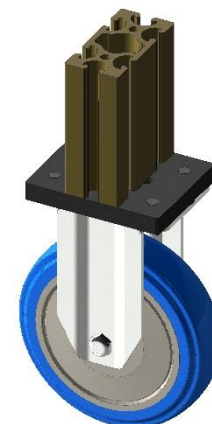
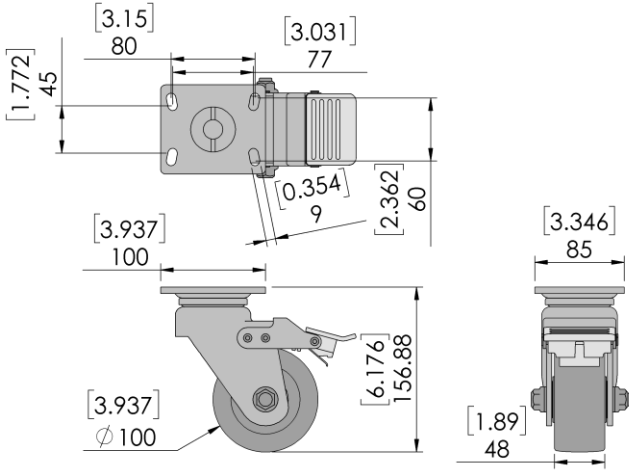
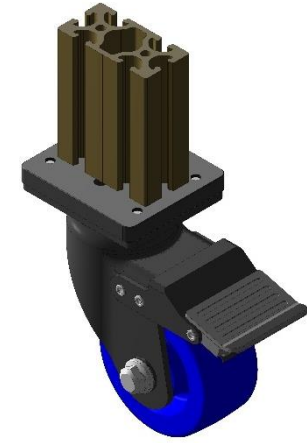
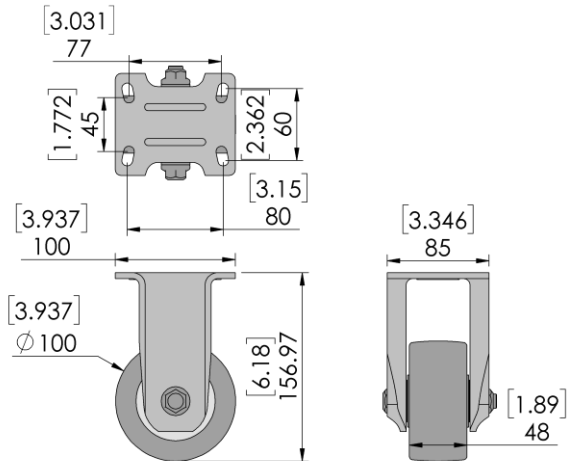
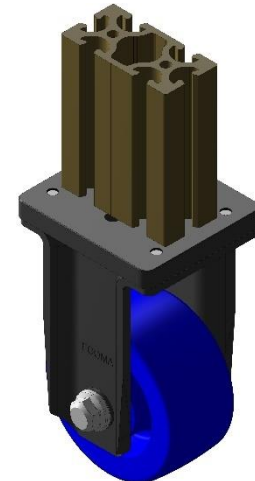
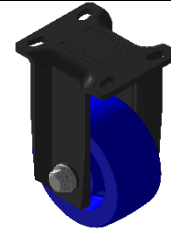


PLATE MOUNT Ø100MM SWIVEL CASTER W/TOTAL BRAKE (400 KG)		00DCA-3500-002-00
Material	Steel Body, Cast Polyurethane Wheel	
Finish	Black	
Parts Included in Kit	(1) Plate Mount Ø100mm Swivel Caster [00DCA-3500-002-00]	
	<b>Metric</b>	<b>SAE</b>
Weight	2.29 kg [2290 g]	5.05 lb [80.8 oz]



**Quick Tip:**  
Caster plates are available to adapt casters to a variety of profiles.

PLATE MOUNT Ø100MM FIXED CASTER (400 KG)		00DCA-3500-001-00
Material	Steel Body, Cast Polyurethane Wheel	
Finish	Black	
Parts Included in Kit	(1) Plate Mount Ø100mm Fixed Caster [00DCA-3500-001-00]	
	<b>Metric</b>	<b>SAE</b>
Weight	1.47 kg [1470 g]	3.25 lb [52 oz]



**Quick Tip:**  
Caster plates are available to adapt casters to a variety of profiles.

PROFILES

COMPONENTS

RIVET SYSTEM

DOORS AND FLOORS

ACCESSORIES

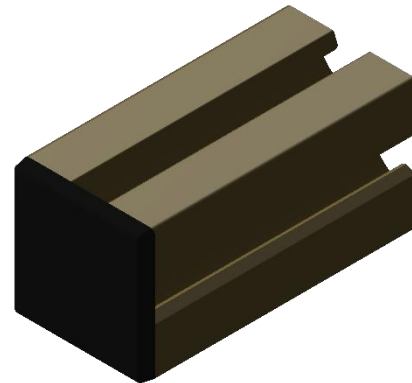
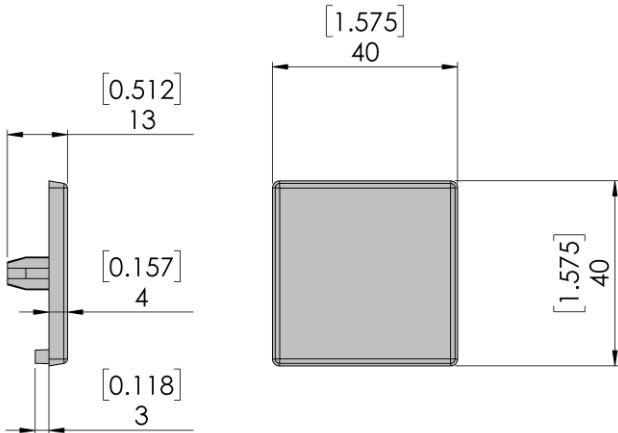
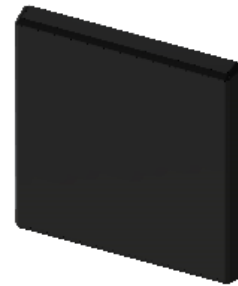
HARDWARE

## Accessories

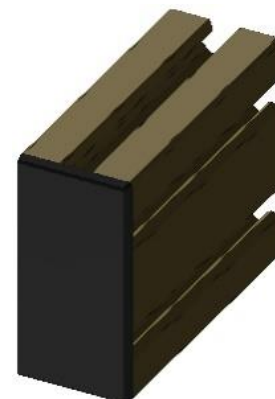
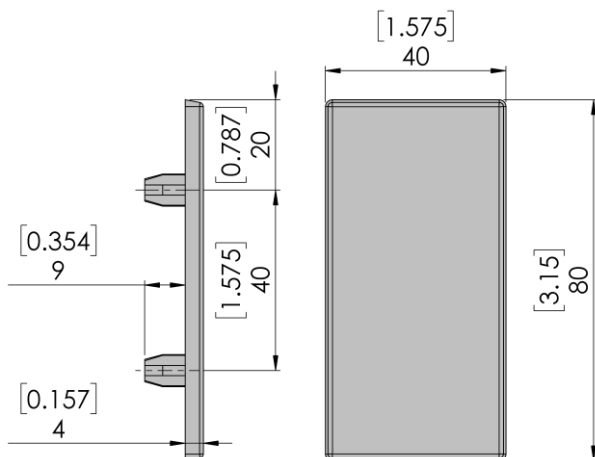
Whether looking to add strength, safety, functionality, or aesthetic appeal to your AngleLock project, look no further! AngleLock offers accessories such as end caps, rubber bumpers, and profile strengthening members needed to give that finishing touch.

	Description	Part Number	Page
End Caps	40X40 BLACK END CAP – 10 PK	40AEC-1401-001-01	61
	40X80 BLACK END CAP – 10 PK	40AEC-1401-002-01	61
Supports	3-WAY SUPPORT PROFILE	40A04-0012-040	62
	40MM SUPPORT PROFILE	40A04-0012-050	62
	80MM SUPPORT PROFILE	40A04-0022-010	63
Wire Management	40X20 BLACK ABS WIRE WAY	40ASC-0411-001-00	63
	40-5 SNAP-IN PVC TROUGH WITH COVER	40ASC-1411-003-01	64
	40-5 BLACK ABS FLANGE	40ASC-1411-002-00	64

40X40 BLACK END CAP – 10 PK		40AEC-1401-001-01
Material	Zylar	
Finish	Matte Black	
	<b>Metric</b>	<b>SAE</b>
Package Weight (Per 10 Pack)	0.06 kg [63 g]	0.14 lb [2.2 oz]
Description/Use	Keeps dirt and grime out of the end of a 40x40mm profile and gives your project a professional finished look. Simply press or tap onto profile end. Removable.	



40X80 BLACK END CAP – 10 PK		40AEC-1401-002-01
Material	Zylar	
Finish	Matte Black	
	<b>Metric</b>	<b>SAE</b>
Package Weight (Per 10 Pack)	0.12 kg [122 g]	0.27 lb [4.3 oz]
Description/Use	Keeps dirt and grime out of the end of a 40x40mm profile and gives your project a professional finished look. Simply press or tap onto profile end. Removable.	

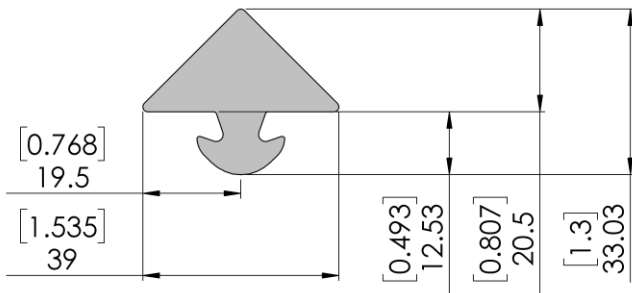
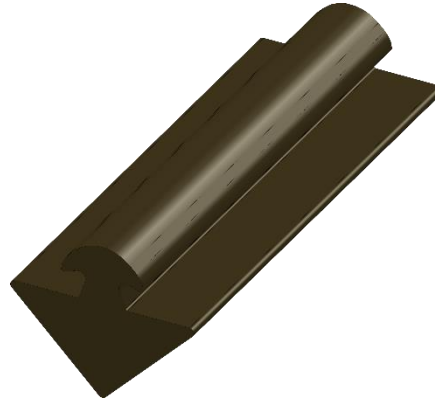


- PROFILES
- COMPONENTS
- RIVET SYSTEM
- DOORS AND FLOORS
- ACCESSORIES
- HARDWARE

## 3-WAY SUPPORT PROFILE

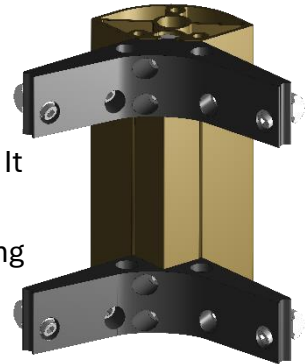
40A04-0012-040

Material	6005-T5	
Finish/Color: Type II, Architectural Class I Anodize	Light Bronze	40A04-0012-040
	<b>Metric</b>	<b>SAE</b>
Weight Per Length	1.542 kg/m	1.040 lb/ft
Available Length(s): 40A04-0012-040 / 40A04-0012-04C	3683 mm / 25 - 3683 mm	145" / 1" to 145"
Cross-Sectional Area	5.711 cm <sup>2</sup>	0.885 in <sup>2</sup>
Moment of Inertia	$I_x = 3.070 \text{ cm}^4$ $I_y = 3.286 \text{ cm}^4$	$I_x = 0.074 \text{ in}^4$ $I_y = 0.079 \text{ in}^4$



**Quick Tip:**

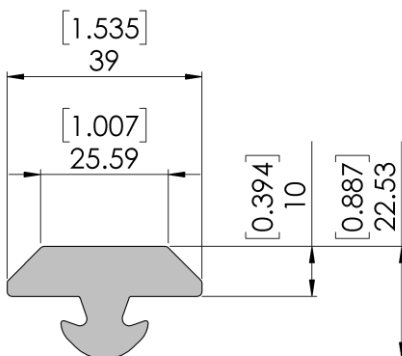
Utilize this profile as a rigid support between bracketry. It can also be machined to length for a precision locating situation.



## 40MM SUPPORT PROFILE

40A04-0012-050

Material	6005-T5	
Finish/Color: Type II, Architectural Class I Anodize	Light Bronze	40A04-0012-050
	<b>Metric</b>	<b>SAE</b>
Weight Per Length	1.283 kg/m	0.862 lb/ft
Available Length(s): 40A04-0012-050 / 40A04-0012-05C	3683 mm / 25 - 3683 mm	145" / 1" to 145"
Cross-Sectional Area	4.752 cm <sup>2</sup>	0.736 in <sup>2</sup>
Moment of Inertia	$I_x = 1.608 \text{ cm}^4$ $I_y = 3.661 \text{ cm}^4$	$I_x = 0.039 \text{ in}^4$ $I_y = 0.088 \text{ in}^4$



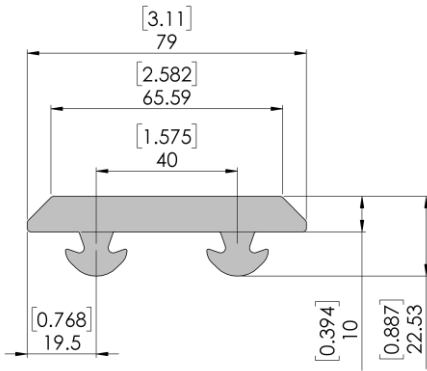
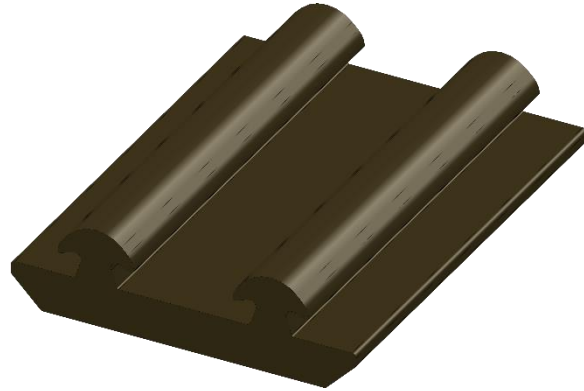
**Quick Tip:**

Utilize this profile as a rigid support between bracketry. It can also be machined to length for a precision locating situation.

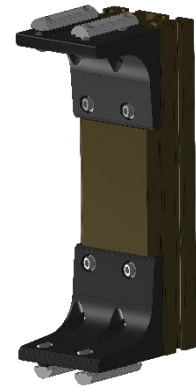


**80MM SUPPORT PROFILE** **40A04-0022-010**

Material	6005-T5	
Finish/Color: Type II, Architectural Class I Anodize	Light Bronze	40A04-0022-010
	<b>Metric</b>	<b>SAE</b>
Weight Per Length	2.736 kg/m	0.862 lb/ft
Available Length(s): 40A04-0022-01C	3683 mm	145"
	25 - 3683 mm	1" to 145"
Cross-Sectional Area	10.133 cm <sup>2</sup>	1.571 in <sup>2</sup>
Moment of Inertia	I <sub>x</sub> = 3.428 cm <sup>4</sup> I <sub>y</sub> = 45.530 cm <sup>4</sup>	I <sub>x</sub> = 0.082 in <sup>4</sup> I <sub>y</sub> = 1.094 in <sup>4</sup>

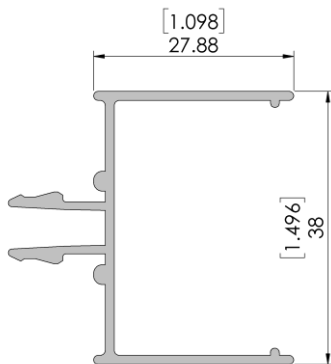
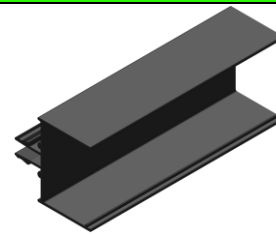


**Quick Tip:**  
Utilize this profile as a rigid support between bracketry. It can also be machined to length for a precision locating situation.

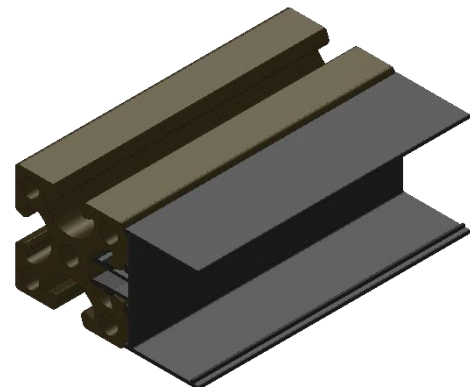


**40X20 BLACK ABS WIRE WAY** **40ASC-0411-001-00**

Material	Acrylonitrile Butadiene Styrene	
Finish	Black	
Parts Included in Kit	(1) 40x25 Black ABS Wire Way (2438mm) [40ASC-0411-001-00]	
	<b>Metric</b>	<b>SAE</b>
Weight	0.57 kg [568 g]	1.25 lb [20 oz]



**Quick Tip:**  
Utilize this wireway when no cover is needed. If a cover is needed for your application, please see page 64.



PROFILES

COMPONENTS

RIVET SYSTEM

DOORS AND FLOORS

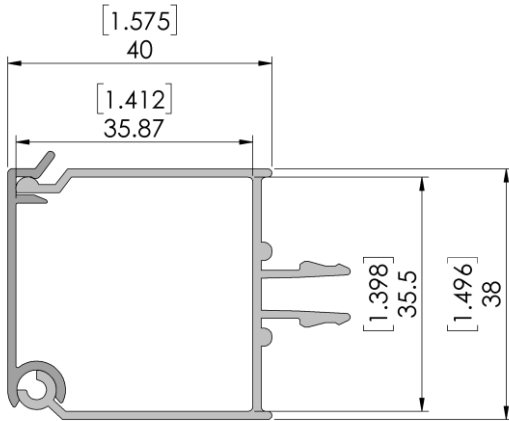
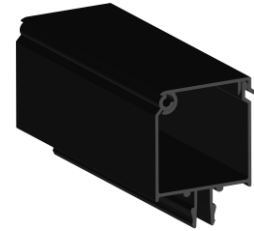
ACCESSORIES

HARDWARE

## 40-5 SNAP-IN PVC TROUGH WITH COVER

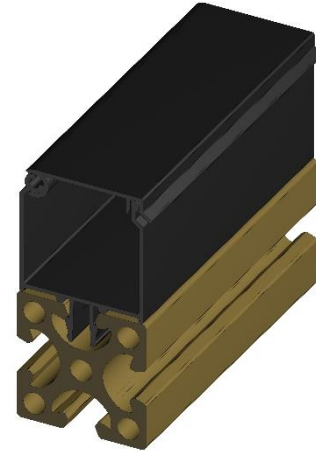
40ASC-1411-003-01

Material	Polyvinyl Chloride	
Finish	Black	
Parts Included in Kit	(1) 40-6 Snap-In PVC Trough With Cover (2000mm) [40ASC-1411-003-01]	
	<b>Metric</b>	<b>SAE</b>
Weight	0.57 kg [568 g]	1.25 lb [20 oz]



### Quick Tip:

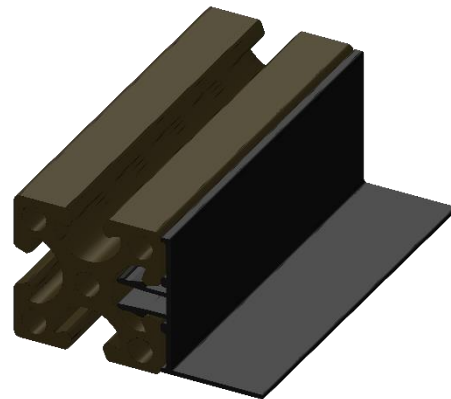
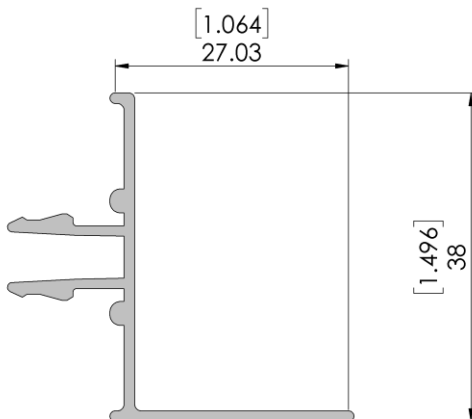
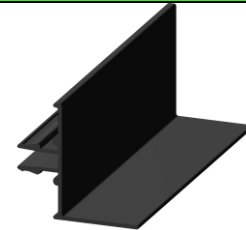
This PVC trough features a hinged cover that securely snaps closed, but can be easily reopened as needed.



## 40-5 BLACK ABS FLANGE

40ASC-1411-002-00

Material	Acrylonitrile Butadiene Styrene	
Finish	Black	
Parts Included in Kit	(1) 40-6 Black ABS Flange (2438mm) [40ASC-1411-002-00]	
	<b>Metric</b>	<b>SAE</b>
Weight	0.33 kg [325 g]	0.72 lb [11.5 oz]







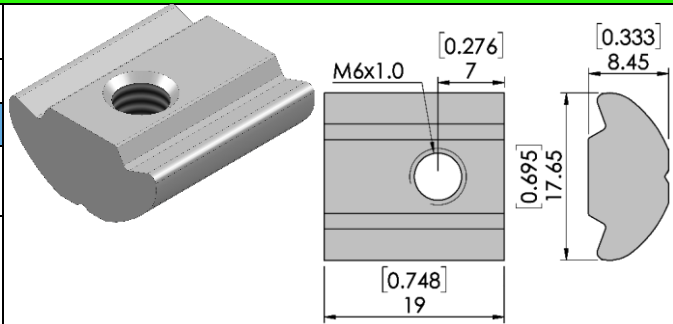
## Hardware

The hardware offerings by AngleLock enable us to be a true one-stop-shop. From common screws and nuts, to our patented angle nuts using the AngleLock fastening system, we have what you need to finish your structural framing project.

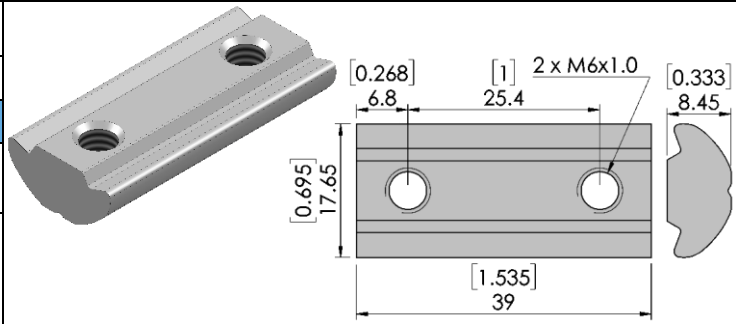
	Description	Part Number	Page
Straight Hole	M6X1.0 20MM 1-HOLE OFFSET NUT – 10 PK	40HSN-3407-001-01	67
	M6X1.0 39MM 2-HOLE NUT – 10 PK	40HSN-3407-002-01	67
	M8X1.25 25MM 1-HOLE NUT – 10 PK	40HSN-3507-001-01	67
Angled Hole	M6X1.0 25MM 1-HOLE ANGLE NUT – 10 PK	40HAN-3407-001-01	67
	M6X1.0 38MM 2-HOLE ANGLE NUT – 10 PK	40HAN-3407-007-01	68
	M6X1.0 44MM 2-HOLE ANGLE NUT – 10 PK	40HAN-3407-003-01	68
	M6X1.0 60MM 2-HOLE ANGLE NUT – 10 PK	40HAN-3407-005-01	68
	M6X1.0 79MM 2-HOLE ANGLE NUT – 10 PK	40HAN-3407-004-01	68
	M6X1.0 100MM 3-HOLE ANGLE NUT – 10 PK	40HAN-3407-002-01	69
Drop-In	M6X1.0 DROP-IN NUT – 10 PK	40HDI-3407-002-01	69
	M6X1.0X25MM DROP-IN T-STUD – 10 PK	40HDI-3407-001-01	69
	M8X1.25X25MM DROP-IN T-STUD – 10 PK	40HDI-3507-001-01	69
	3-WAY CORNER BRACKET WASHER PLATES	40H3W-3401-001-0X	70

**M6X1.0 20MM 1-HOLE OFFSET NUT – 10 PK**
**40HSN-3407-001-01**

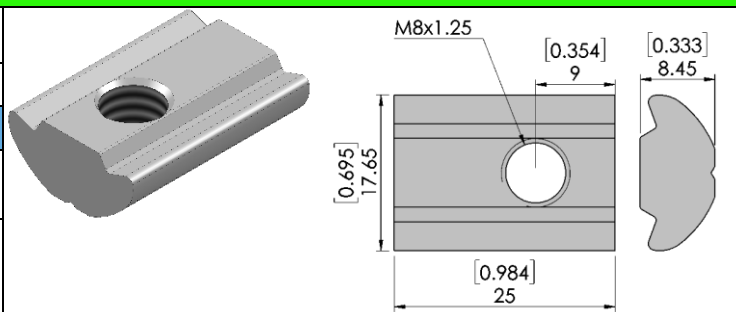
Material	1018 Steel	
Finish	Clear Zinc	
	<b>Metric</b>	<b>SAE</b>
Package Weight (Per 10 Pack)	0.15 kg [152 g]	0.34 lb [5.4 oz]
Description/Use	This standard duty straight nut can be used to fasten 3rd party items directly to any of our 40-6 series profiles using a 6mm fastener.	


**M6X1.0 39MM 2-HOLE NUT – 10 PK**
**40HSN-3407-002-01**

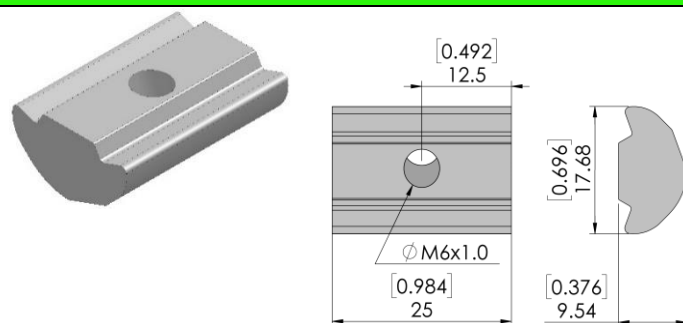
Material	1018 Steel	
Finish	Clear Zinc	
	<b>Metric</b>	<b>SAE</b>
Package Weight (Per 10 Pack)	0.312 kg [312 g]	0.688 lb [11 oz]
Description/Use	Primarily used for the double threaded insert on our 40-6 series profiles, but can also serve as a way to attach 3rd party items.	


**M8X1.25 25MM 1-HOLE NUT – 10 PK**
**40HSN-3507-001-01**

Material	1018 Steel	
Finish	Clear Zinc	
	<b>Metric</b>	<b>SAE</b>
Package Weight (Per 10 Pack)	0.193 kg [193 g]	0.43 lb [6.8 oz]
Description/Use	This heavy duty straight nut allows you to attach 3rd party items to our 40-6 series profiles using an 8mm fastener.	


**M6X1.0 25MM 1-HOLE ANGLE NUT – 10 PK**
**40HAN-3407-001-01**

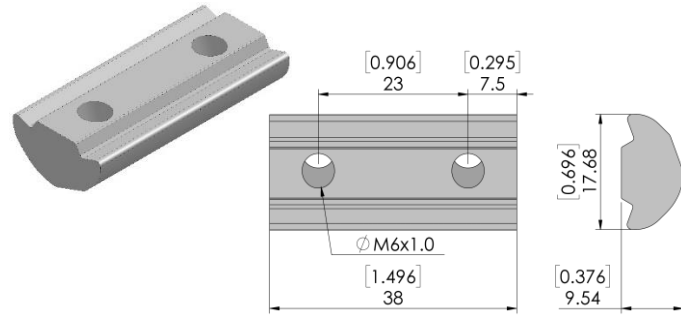
Material	1018 Steel	
Finish	Clear Zinc	
	<b>Metric</b>	<b>SAE</b>
Package Weight (Per 10 Pack)	0.221 kg [221 g]	0.49 lb [7.8 oz]
Description/Use	40mm SD Corner Bracket Kit 40-6 Threaded Insert w/ 20° Nut Kit	



## M6X1.0 38MM 2-HOLE ANGLE NUT – 10 PK

40HAN-3407-007-01

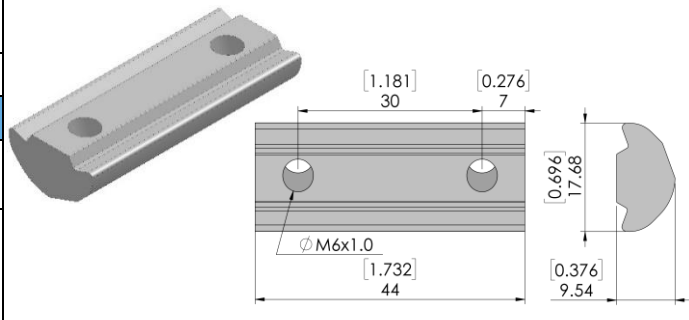
Material	1018 Steel	
Finish	Clear Zinc	
	<b>Metric</b>	<b>SAE</b>
Package Weight (Per 10 Pack)	0.33 kg [330 g]	0.73 lb [11.6 oz]
Description/Use	40mm 3-Way Corner Bracket Kit	



## M6X1.0 44MM 2-HOLE ANGLE NUT – 10 PK

40HAN-3407-003-01

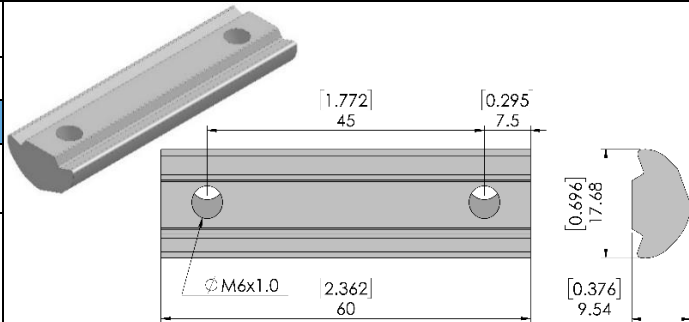
Material	1018 Steel	
Finish	Clear Zinc	
	<b>Metric</b>	<b>SAE</b>
Package Weight (Per 10 Pack)	0.386 kg [386 g]	0.85 lb [13.6 oz]
Description/Use	40mm LH Outside Hinge Kit 40mm RH Outside Hinge Kit	



## M6X1.0 60MM 2-HOLE ANGLE NUT – 10 PK

40HAN-3407-005-01

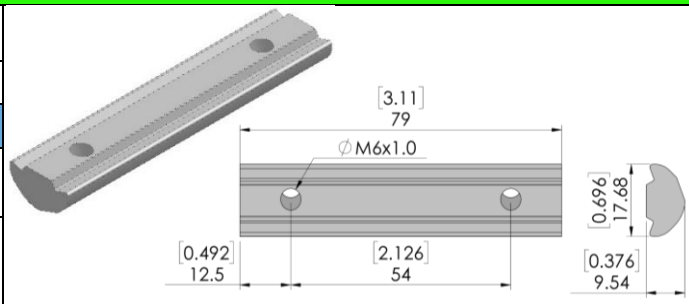
Material	1018 Steel	
Finish	Clear Zinc	
	<b>Metric</b>	<b>SAE</b>
Package Weight (Per 10 Pack)	0.54 kg [536 g]	1.18 lbs [18.9 oz]
Description/Use	40mm 3-Way Corner Bracket Kit 80mm 3-Way Corner Bracket Kit 40mm Foot Anchor Kit	



## M6X1.0 79MM 2-HOLE ANGLE NUT – 10 PK

40HAN-3407-004-01

Material	1018 Steel	
Finish	Clear Zinc	
	<b>Metric</b>	<b>SAE</b>
Package Weight (Per 10 Pack)	0.715 kg [715 g]	1.58 lbs [25.3 oz]
Description/Use	40mm HD Corner Bracket Kit	




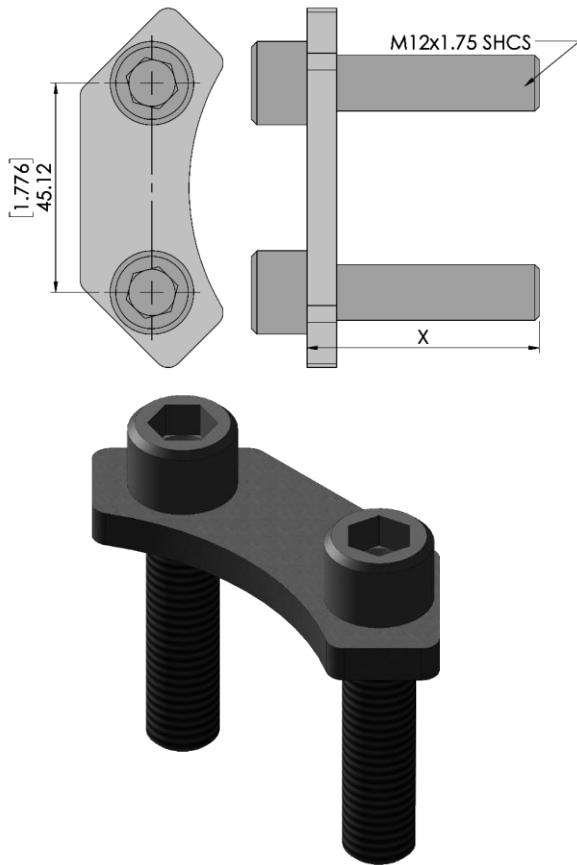
M6X1.0 100MM 3-HOLE ANGLE NUT – 10 PK			40HAN-3407-002-01
Material	1018 Steel		
Finish	Clear Zinc		
	<b>Metric</b>	<b>SAE</b>	
Package Weight (Per 10 Pack)	0.90 kg [898 g]	1.98 lbs [31.7 oz]	
Description/Use	40mm 90° 3x3 Hole Joining Plate Kit		

M6X1.0 DROP-IN NUT – 10 PK			40HDI-3407-002-01
Material	1018 Steel		
Finish	Clear Zinc		
	<b>Metric</b>	<b>SAE</b>	
Package Weight (Per 10 Pack)	0.47 kg [474 g]	1.05 lbs [16.7 oz]	
Description/Use	This item can be used to fasten 3rd party items directly to any of our 40-6 series profiles using a 6mm fastener.		

M6X1.0X25MM DROP-IN T-STUD – 10 PK			40HDI-3407-001-01
Material	1018 Steel		
Finish	Clear Zinc		
	<b>Metric</b>	<b>SAE</b>	
Package Weight (Per 10 Pack)	1.14 kg [1140 g]	2.5 lbs [40 oz]	
Description/Use	This item can be used to fasten 3rd party items directly to any of our 40-6 series profiles using a 6mm fastener.		

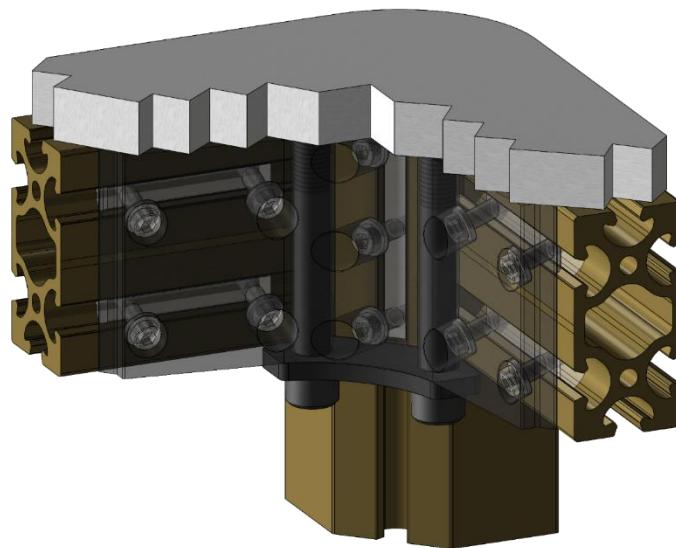
M8X1.25X25MM DROP-IN T-STUD – 10 PK			40HDI-3507-001-01
Material	1018 Steel		
Finish	Clear Zinc		
	<b>Metric</b>	<b>SAE</b>	
Package Weight (Per 10 Pack)	1.16 kg [1157 g]	2.6 lbs [40.8 oz]	
Description/Use	This item can be used to fasten 3rd party items directly to any of our 40-6 series profiles using an 8mm fastener.		

3-WAY CORNER BRACKET WASHER PLATES				40H3W-3401-001-0X
Material		1020 Steel		
Finish		Black Zinc		
	Screw Length (mm)	Metric	SAE	
Available	40H3W-3401-001-00	NA	0.07 kg [72 g]	0.16 lb [2.5 oz]
Size(s):	40H3W-3401-001-01	50	0.20 kg [196 g]	0.43 lb [6.9 oz]
	40H3W-3401-001-02	55	0.20 kg [205 g]	0.45 lb [7.2 oz]
	40H3W-3401-001-03	65	0.22 kg [222 g]	0.49 lb [7.8 oz]
	40H3W-3401-001-04	70	0.23 kg [231 g]	0.51 lb [8.1 oz]
	40H3W-3401-001-05	90	0.27 kg [266 g]	0.59 lb [9.4 oz]
	40H3W-3401-001-06	100	0.28 kg [283 g]	0.62 lb [9.9 oz]
	40H3W-3401-001-07	110	0.30 kg [300 g]	0.66 lb [10.6 oz]



### Quick Tip:

Securely mount plates through the 40mm and 80mm 3-way corner brackets (pg 20 and 29) using these washer plates. Holes are sized to accept a M12 screw.



# NOTES

---

---

---

---

---

---

---

---

---

---

---

---

---

---

---

---

---

---

---

---

---

---

---

---

---

---

---

---

PROFILES

COMPONENTS

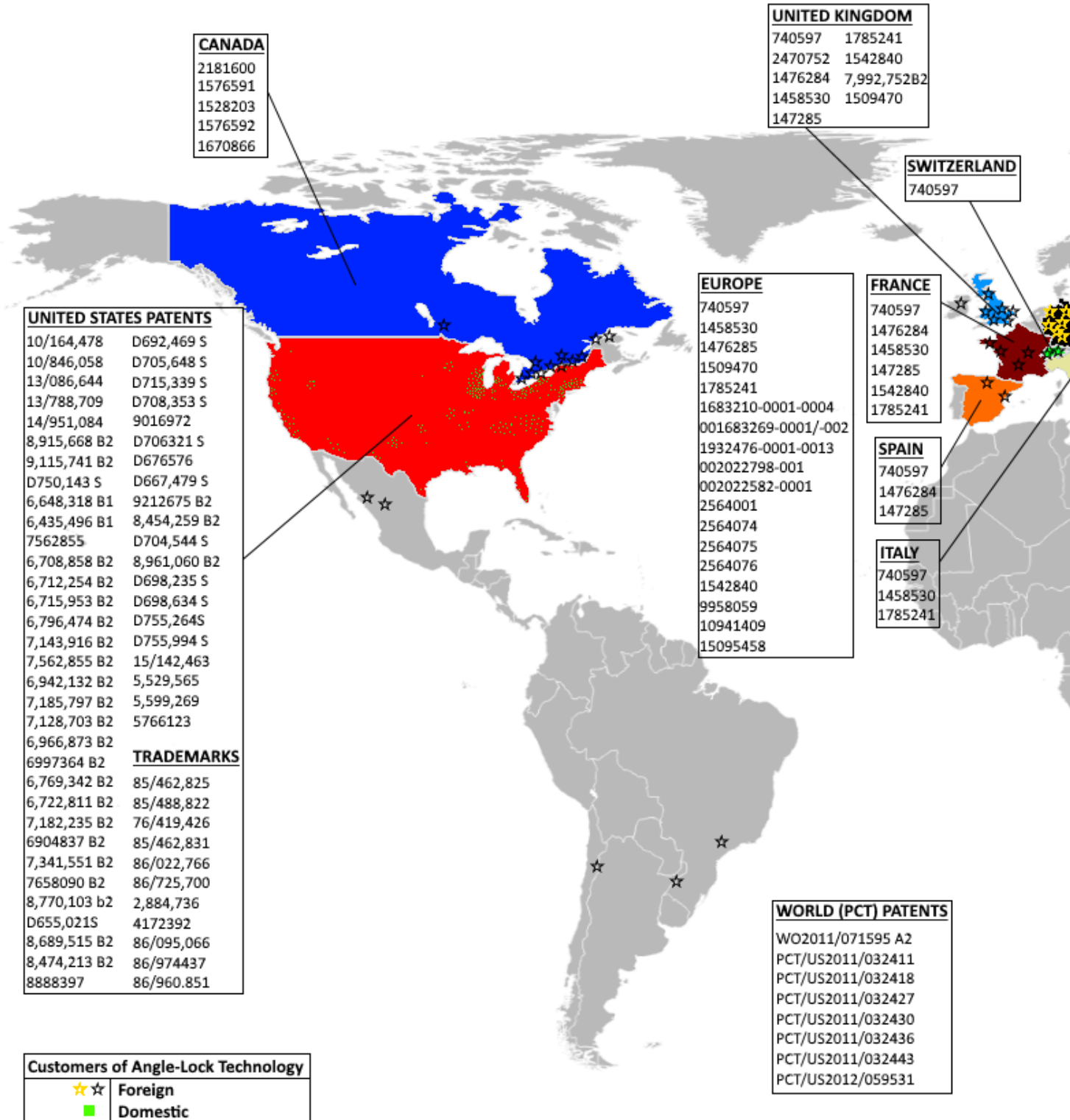
RIVET SYSTEM

DOORS AND FLOORS

ACCESSORIES

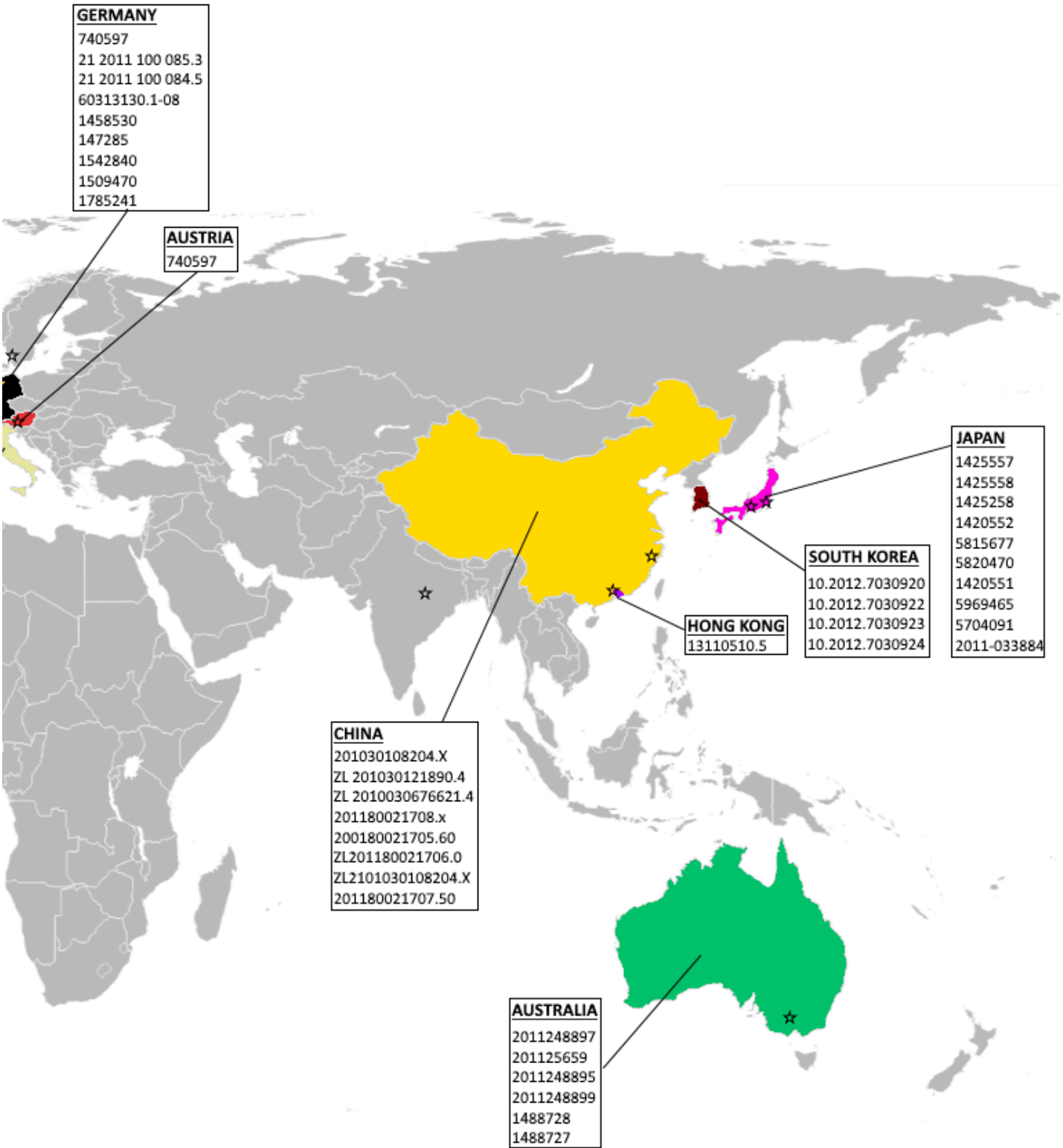
HARDWARE

## Patents and Trademarks Held By





# Controlled Dynamics Holdings, Inc.





## Patent Information

**UNITED STATES:** 10/164,478, 10/846,058, 13/086,644, 13/788,709, 14/951,084, 8,915,668 B2, 9,115,741 B2, D750,143 S, 6,648,318 B1, 6,435,496 B1, 7562855, 6,708,858 B2, 6,712,254 B2, 6,715,953 B2, 6,796,474 B2, 7,143,916 B2, 7,562,855 B2, 6,942,132 B2, 7,185,797 B2, 7,128,703 B2, 6,966,873 B2, 6997364 B2, 6,769,342 B2, 6,722,811 B2, 7,182,235 B2, 6904837 B2, 7,341,551 B2, 7658090 B2, 8,770,103 B2, D655,021S, 8,689,515 B2, 8,474,213 B2, 8888397, D692,469 S, D705,648 S, D715,339 S, D708,353 S, 9016972, D706321 S, D676576, D667,479 S, 9212675 B2, 8,454,259 B2, D704,544 S, 8,961,060 B2, D698,235 S, D698,634 S, D755,264S, D755,994 S, 15/142,463, 5,529,565, 5,599,269, 5766123

**EUROPE:** 740597, 1458530, 1476285, 1509470, 1785241, 1683210-0001-0004, 001683269-0001/-002, 1932476-0001-0013, 002022798-001, 002022582-0001, 2564001, 2564074, 2564075, 2564076, 1542840

**UNITED KINGDOM:** 740597, 2470752, 1476284, 1458530, 147285, 1785241, 1542840, 7,992,752B2, 1509470

**CANADA:** 1576591, 1528203, 1576592, 1670866, 2181600

**AUSTRALIA:** 1488728, 1488727, 2011248897, 201125659, 2011248895, 2011248899

**AUSTRIA:** 740597

**CHINA:** 201030108204.X, ZL 201030121890.4, ZL 2010030676621.4, 201180021708.x, 200180021705.60, ZL201180021706.0, ZL2101030108204.X, 201180021707.50

**FRANCE:** 740597, 1476284, 1458530, 147285, 1542840, 1785241

**GERMANY:** 740597, 21 2011 100 085.3, 21 2011 100 084.5, 60313130.1-08, 1458530, 147285, 1542840, 1509470, 1785241

**HONG KONG:** 13110510.5

**ITALY:** 740597, 1458530, 1785241

**JAPAN:** 5704091, 2011-033884, 1425557, 1425558, 1425258, 1420552, 5815677, 5820470, 1420551, 5969465

**KOREA:** 10.2012.7030920, 10.2012.7030922, 10.2012.7030923, 10.2012.7030924

**SPAIN:** 740597, 1476284, 147285

**SWITZERLAND:** 740597

**PCT (PATENT COOPERATION TREATY):** WO2011/071595 A2, PCT/US2011/032411, PCT/US2011/032418, PCT/US2011/032427, PCT/US2011/032430, PCT/US2011/032436, PCT/US2011/032443, PCT/US2012/059531

For the most updated information, please visit our patents page at:

<https://anglelock.com/pages/patents>



