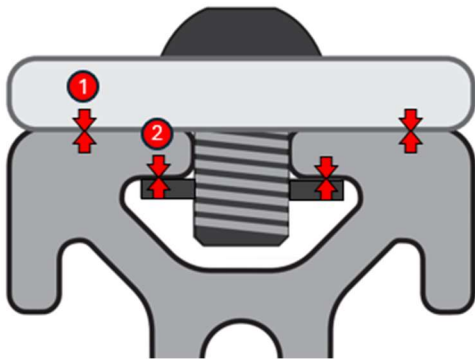


MODULAR ALUMINUM STRUCTURES

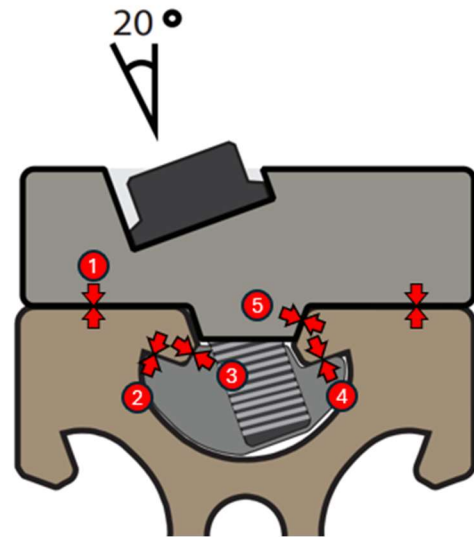
Common T-slot structures use **slip-critical** bolted connections that rely on friction in a single plane. AngleLock creates a precision **fixed** connection in multiple planes that self-aligns and won't loosen with vibration.



T-slot Technology

- Relies on friction (**unpredictable**)
- Tightening pushes lobes apart (**deforms structure**)
- Connections loosen with vibration (**frequent maintenance**)

VS



- Fixed connection (**predictable**)
- Tightening draws lobes together (**aligns structure**)
- Does not loosen with vibration (**ZERO maintenance**)